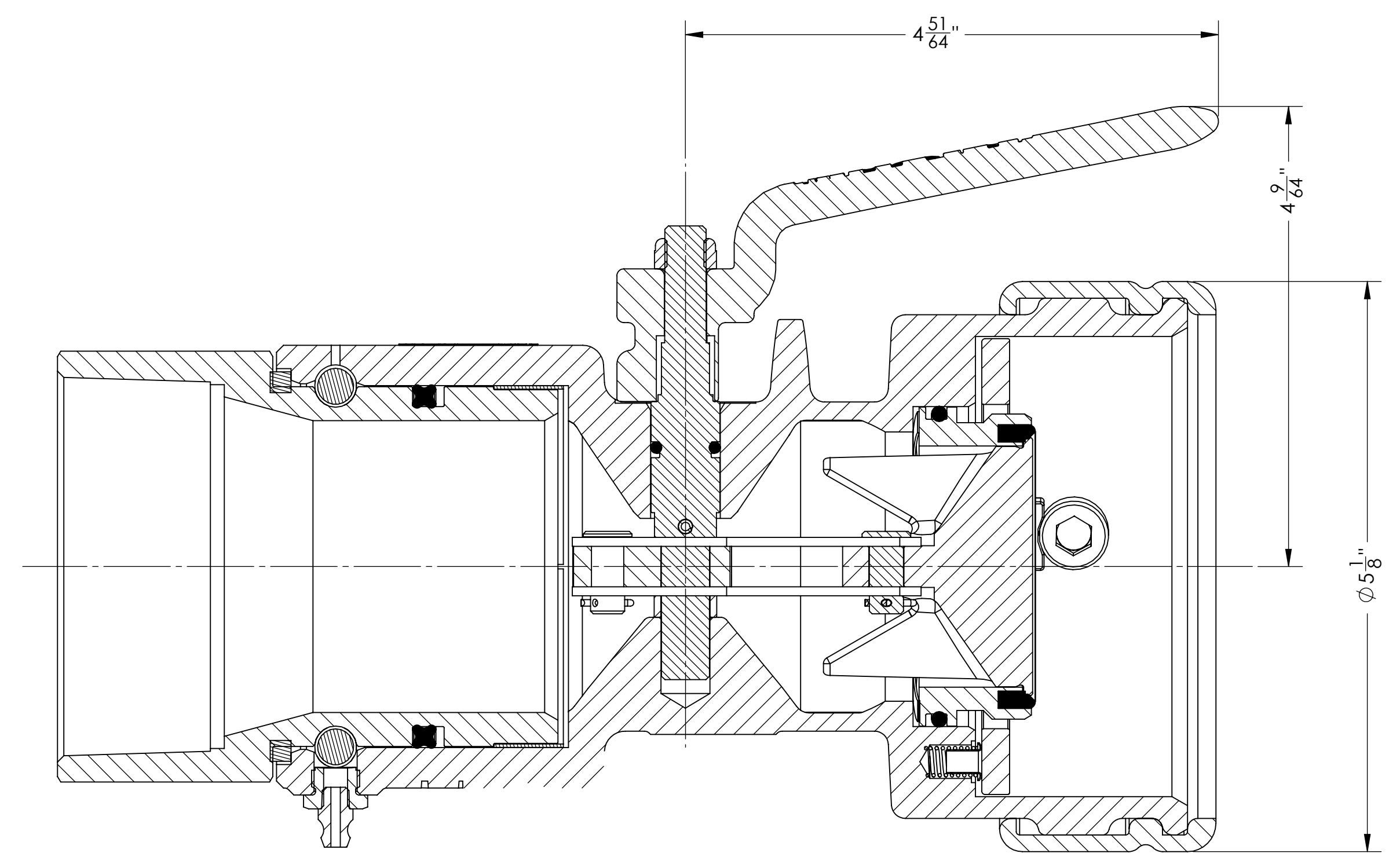
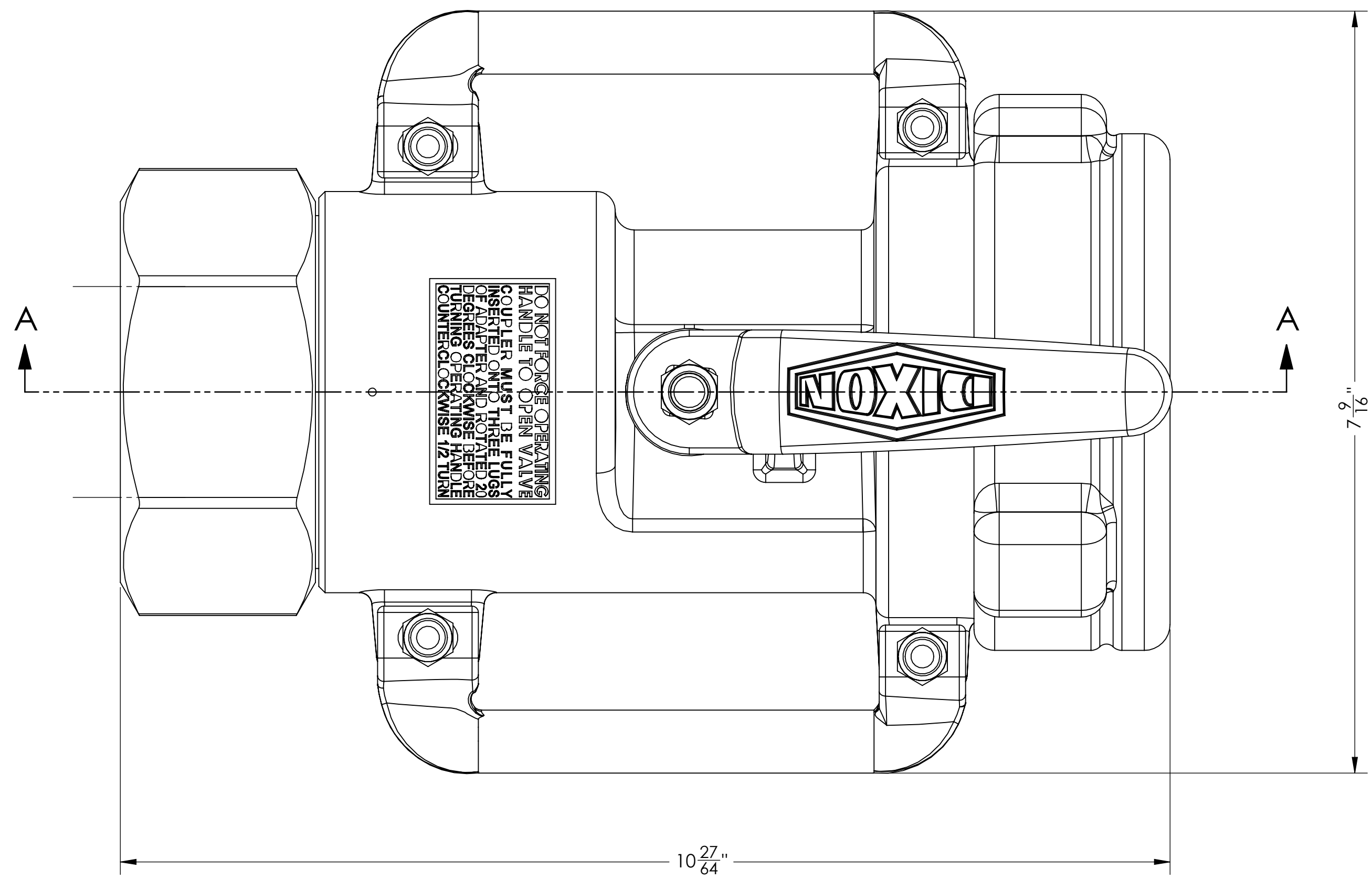
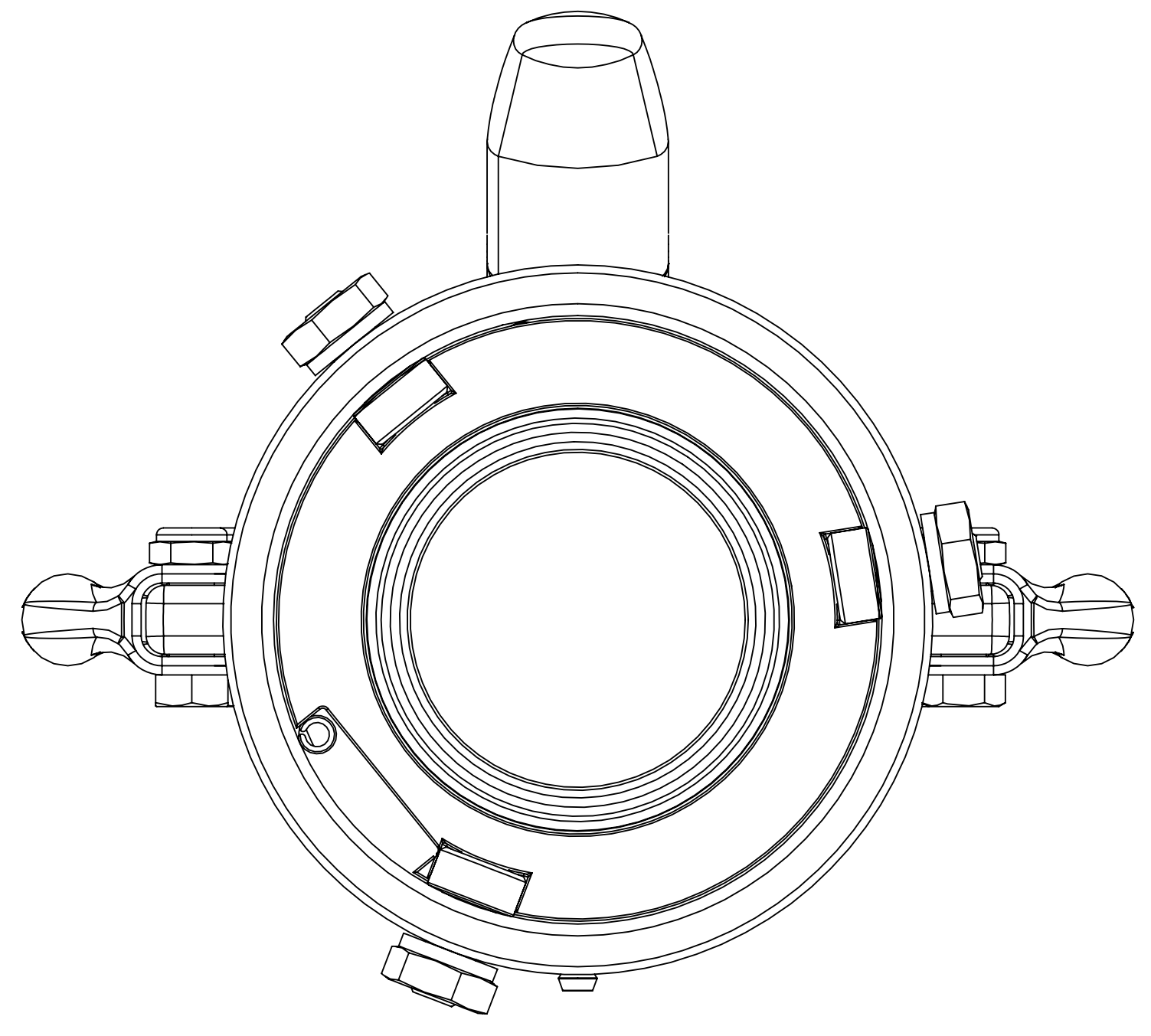


REVISIONS			
REV	DESCRIPTION	DATE	APPROVED



SECTION A-A
SCALE 1 : 1



SHOWN WITH BUMPER
RING REMOVED

Dixon Bayco USA Cincinnati, Ohio, U.S.A. <small>A DWCC Inc. Company</small>		TITLE 3" BAYONET COUPLER CUSTOMER DRAWING	
<small>THIS DRAWING IS CONFIDENTIAL PROPERTY OF DIXON BAYCO USA, A DIVISION OF DWCC AND IS SUBJECT TO RETURN ON DEMAND. © COPYRIGHT 2008 DO NOT COPY.</small>			
DIM. TOLERANCES UNLESS SPECIFIED <small>INCHES & +.000 MACHINING FRACTION +.014 .XX +.010 ROUGH CASTING .XXX +.005 SURF FINISH .125 AA MAX ANGLES 7.12</small>	SIZE D FAHL	DWG NO. BSS6X-300-CST	REV
SCALE FULL	DATE 10JUN2008	SHEET 1 OF 1	