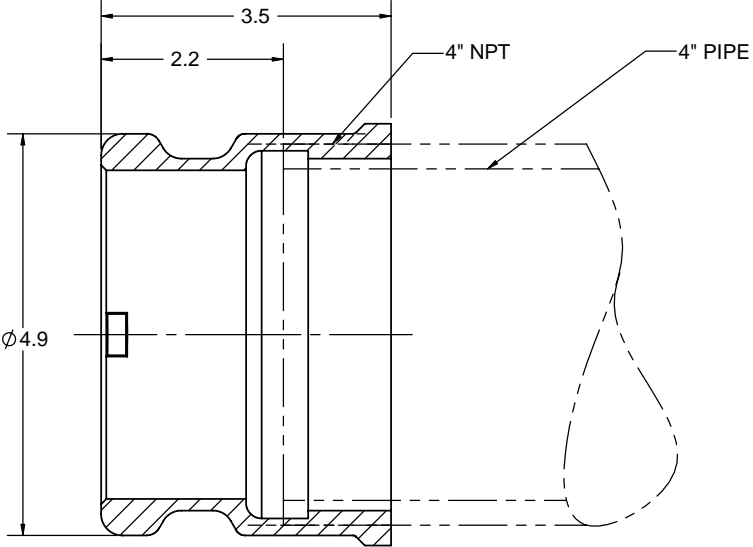
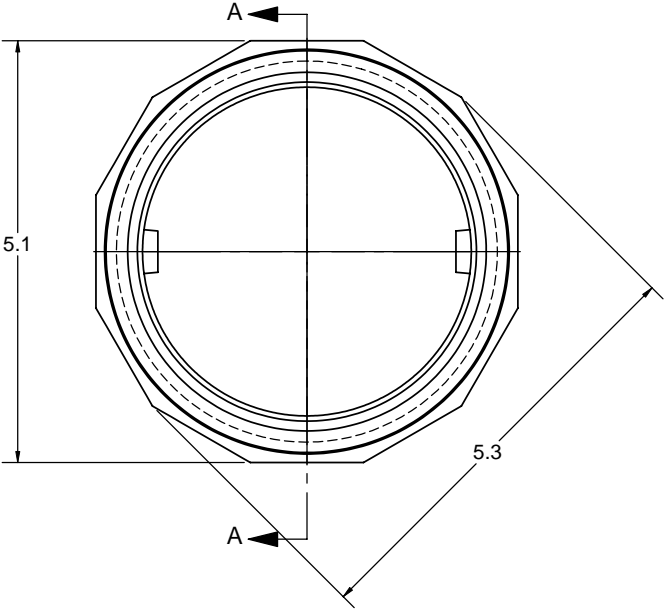
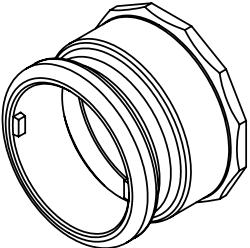


THE INFORMATION CONTAINED IN THIS DRAWING IS THE SOLE PROPERTY OF DIXON-BAYCO IND. ANY REPRODUCTION IN PART OR WHOLE WITHOUT THE WRITTEN PERMISSION OF BAYCO INDUSTRIES IS PROHIBITED.

REVISION TABLE				
REV	ECR	DESCRIPTION	DATE	APPROVED



SECTION A-A

NOTES:  
1. ALL SHARP EDGES AND BURRS TO BE REMOVED

UNLESS OTHERWISE SPECIFIED DIMENSIONS ARE IN INCHES TOLERANCES ARE: FRACTIONS DECIMALS ANGLES		CAD GENERATED DRAWING. DO NOT MANUALLY UPDATE		DIXON-BAYCO INDUSTRIES 2200 LOGAN AVE. WINNIPEG, MB. R2R 0J2 PHONE (204) 633-5650 FAX (204) 633-6119	
MATERIAL <b>B Bronze</b>		APPROVALS		TITLE <b>COLLAR TITE FILL 4"</b>	
FINISH --		DATE Nov 29/07		DWG. NO. <b>B BZ4051-Customer Drawing</b>	
NEXT ASSY USED ON		ENGR BY C.M.		REV. <b>0</b>	
APPLICATION DO NOT SCALE DRAWING		ENGR BY		Customer Drawing SHEET 1 OF 1	