

4

3

2

1

D

D

C

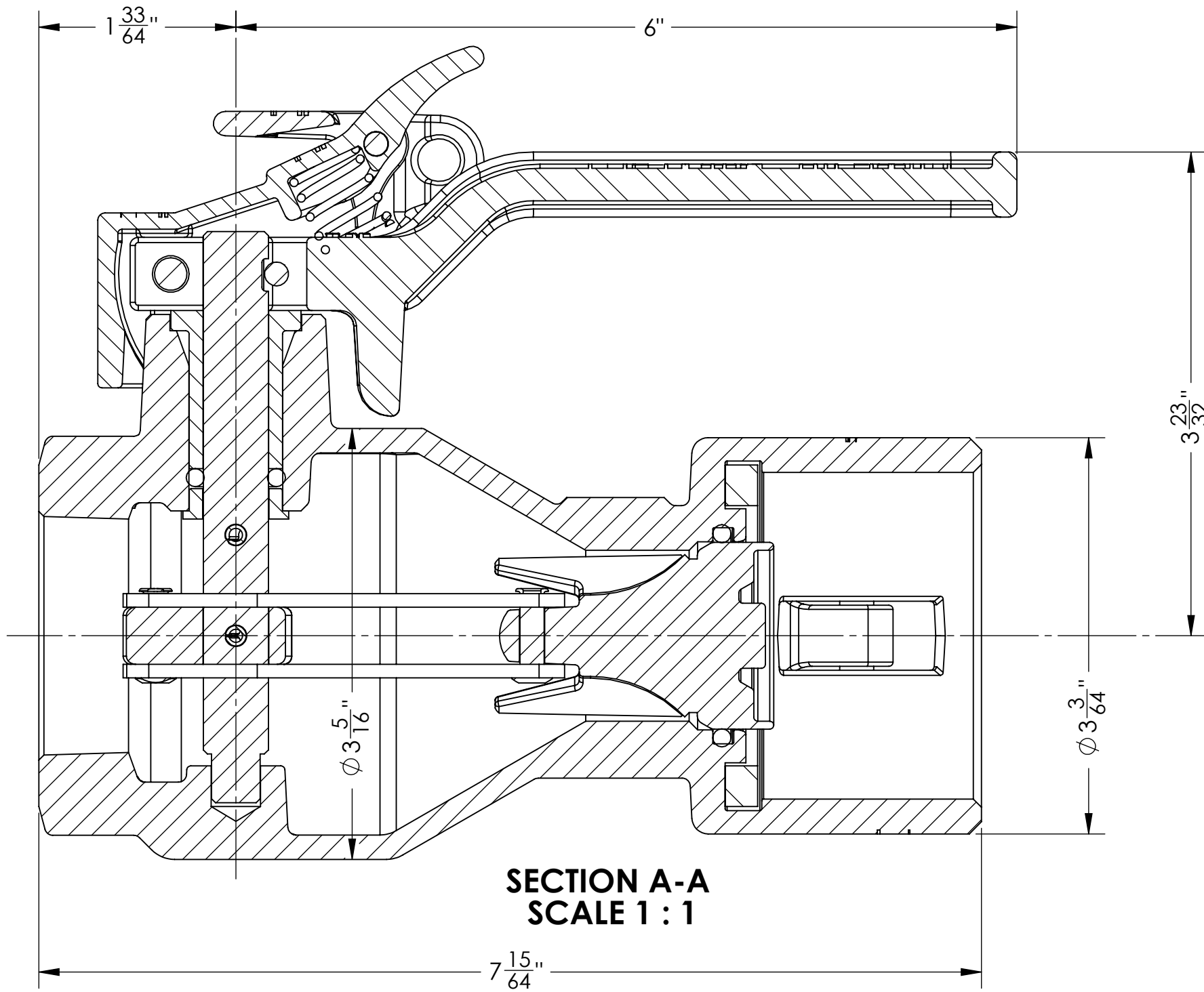
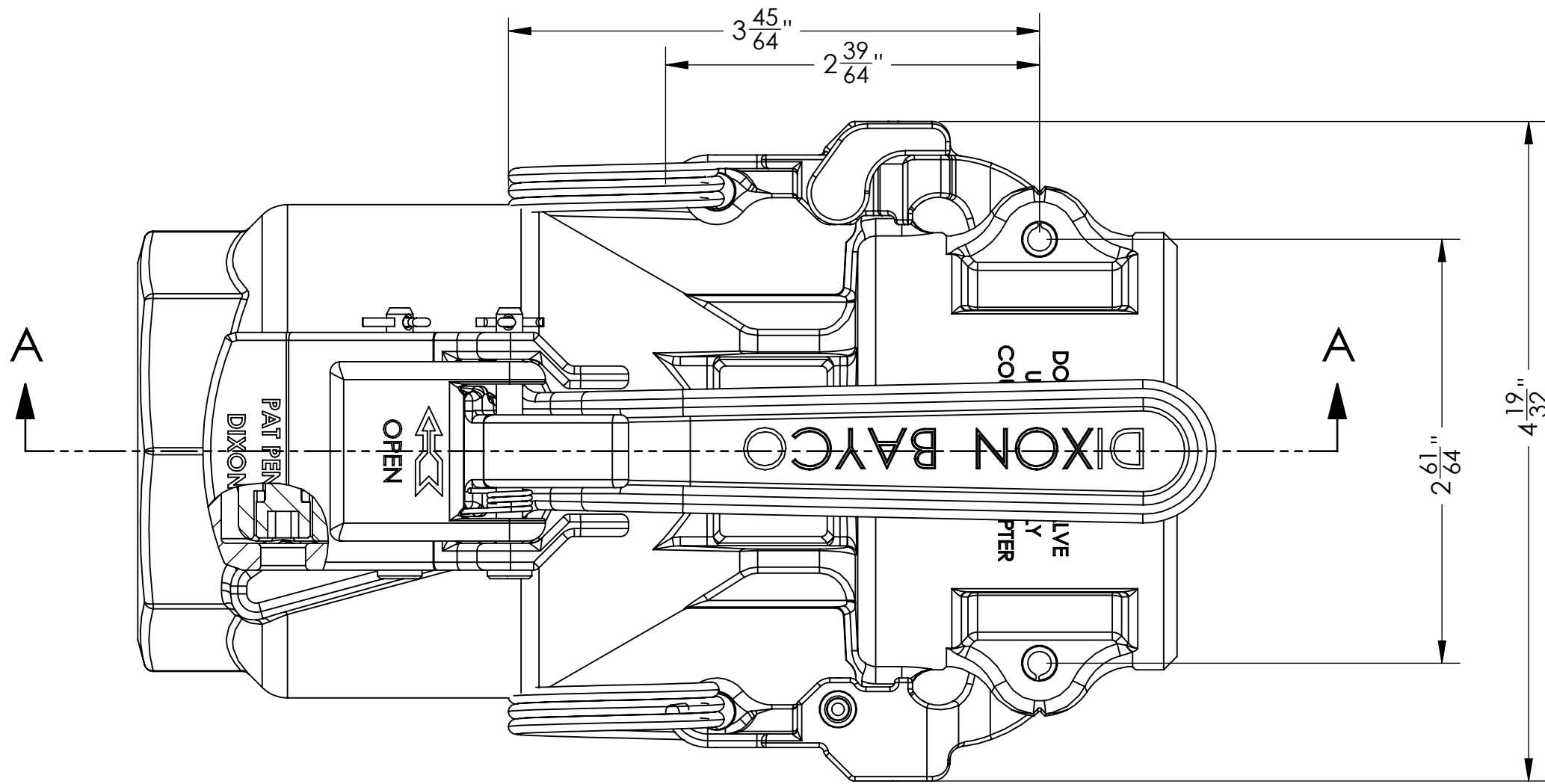
C

B

B

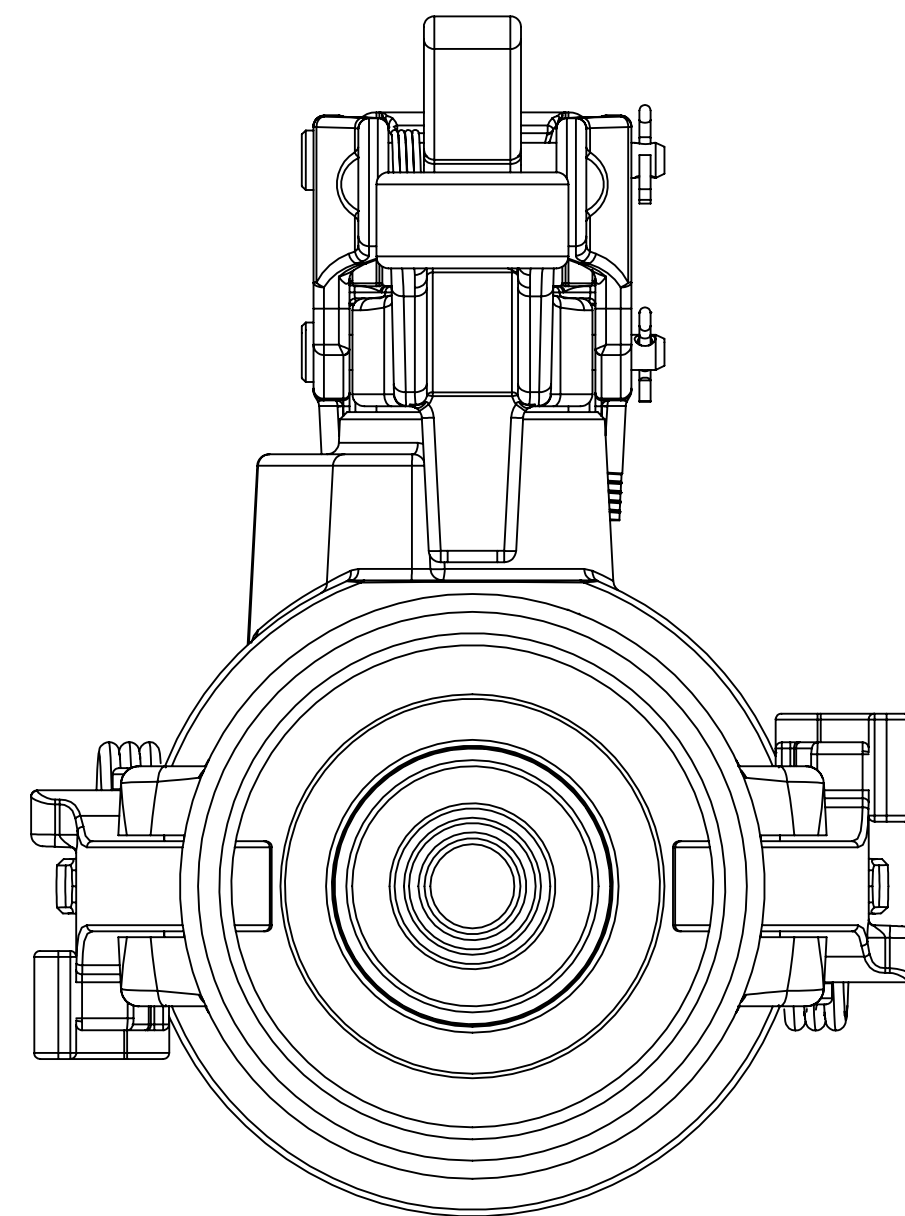
A

A



**SECTION A-A
SCALE 1:1**

REVISIONS			
REV	DESCRIPTION	DATE	APPROVED



Dixon Bayco USA

Cincinnati, Ohio, U.S.A.
A DVCC Inc. Company

THIS DRAWING IS CONFIDENTIAL PROPERTY OF DIXON BAYCO USA, A DIVISION OF DVCC AND IS SUBJECT TO RETURN ON DEMAND. © COPYRIGHT 2000 DO NOT COPY.

DIM. TOLERANCES UNLESS SPECIFIED
INCHES .X +/- .050 MACHINE FRACTION +/- 1/64
.XX +/- .010 ROUGH CASTING +/- 1/32
.XXX +/- .005 SURF. FINISH 125 AA MAX
ANGLES 1/2

TITLE
D2C 1.5" SERIES DIMENSIONS

SIZE C	DRAWN BY FAHL	DWG NO. D2C-SERIES-150-CST	REV
SCALE FULL	DATE 11AUG2010	SHEET 1 OF 1	

4

3

2

1