

4

3

2

1

D

D

C

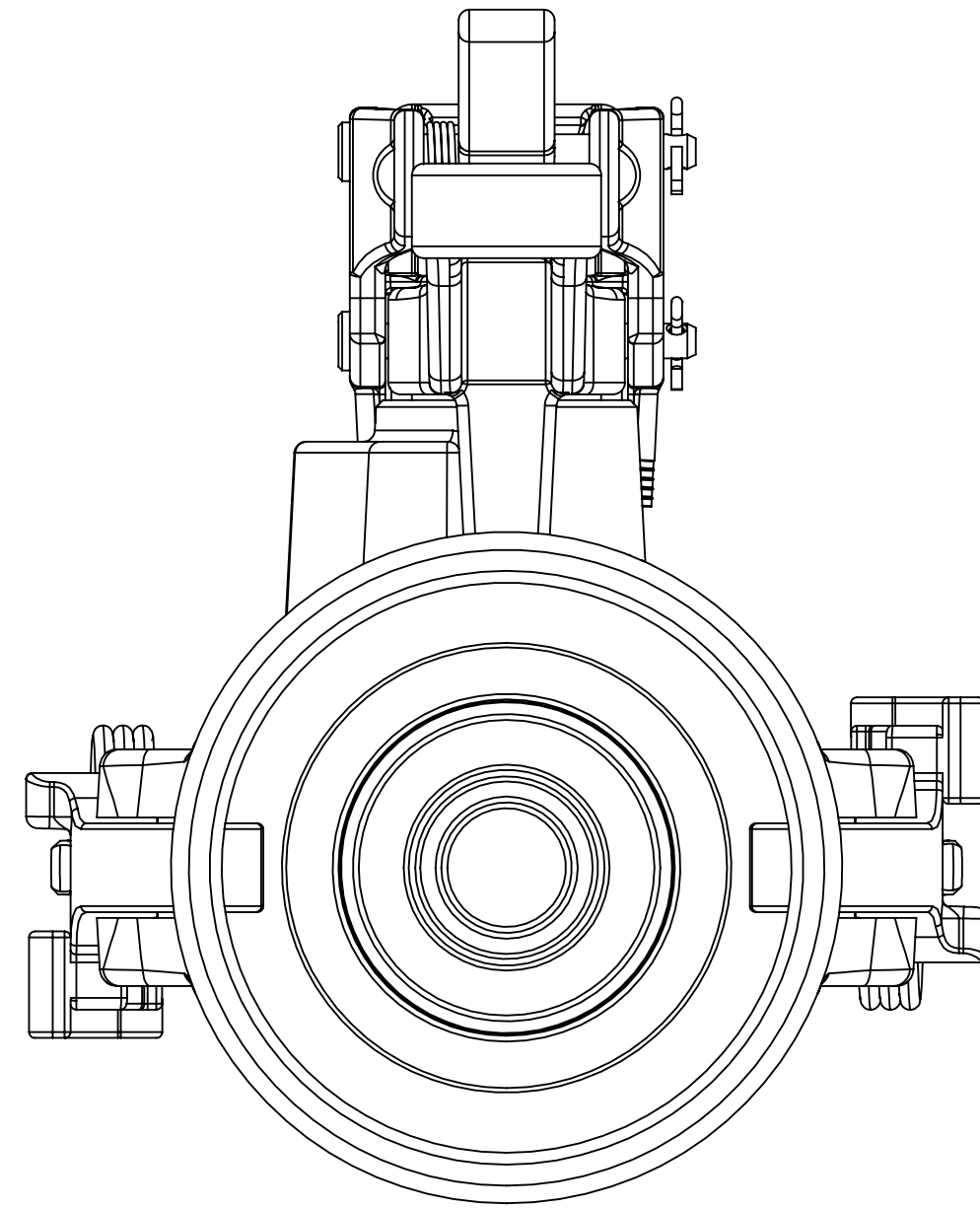
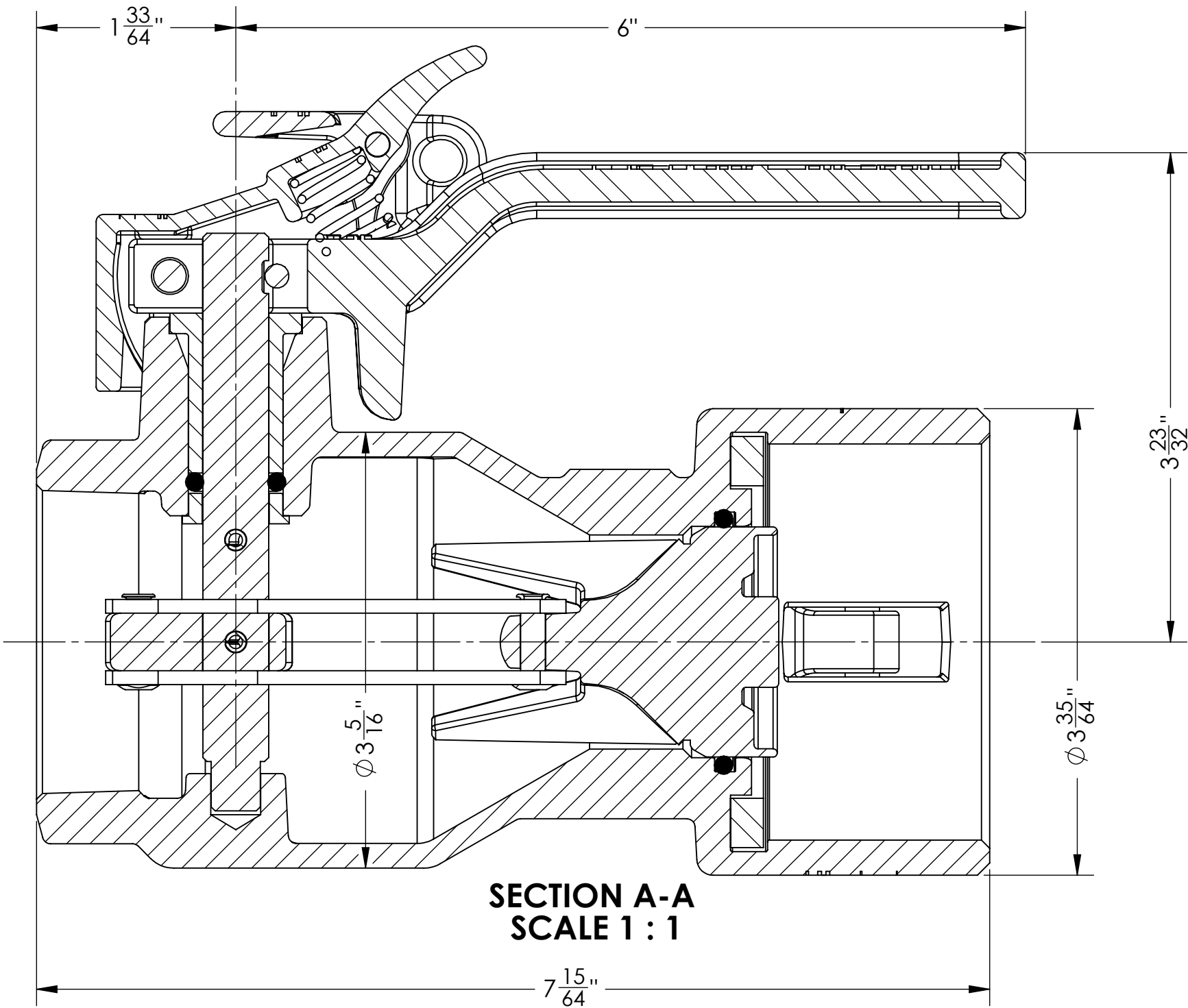
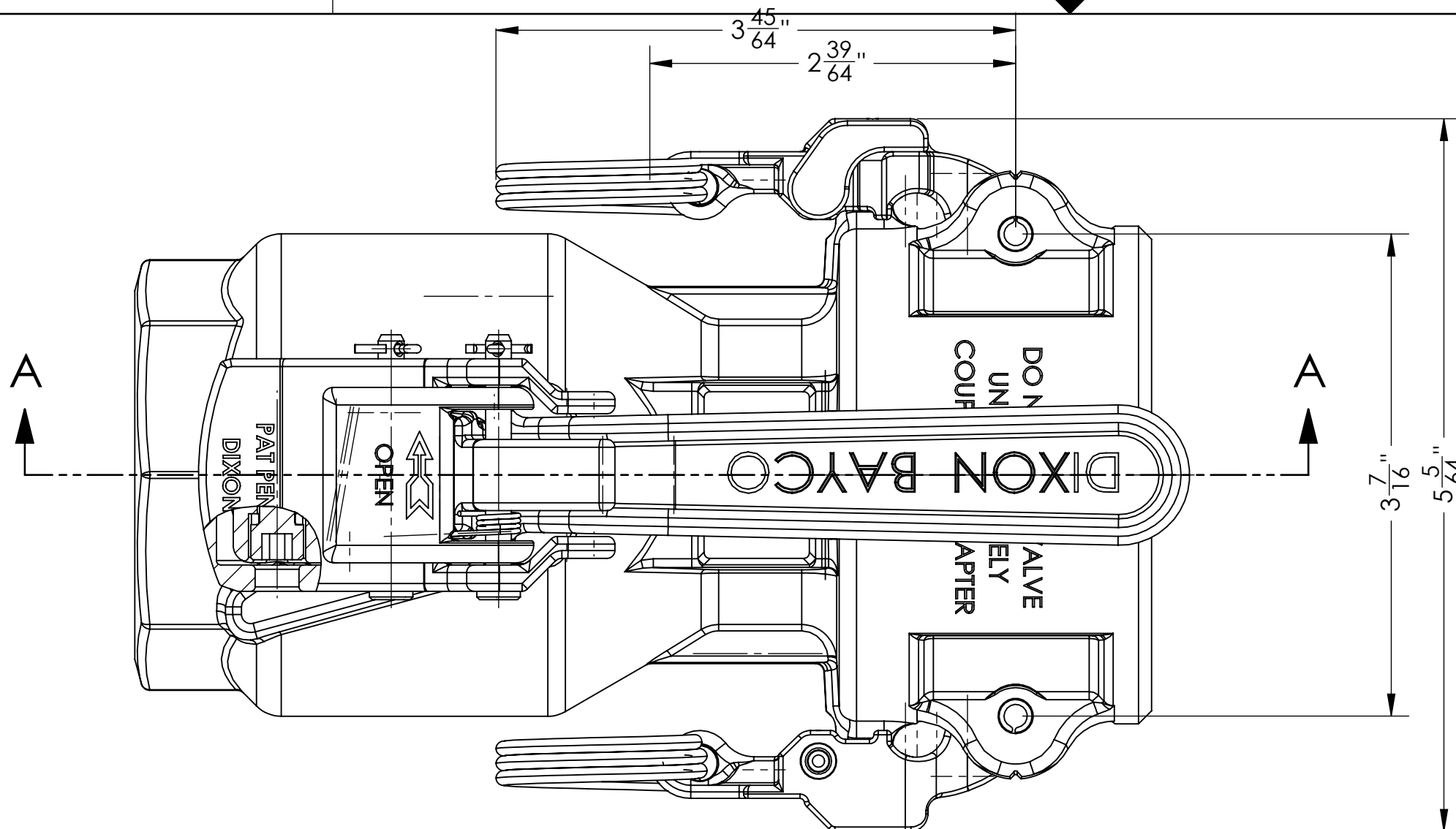
C

B

B

A

A



REVISIONS			
REV	DESCRIPTION	DATE	APPROVED

Dixon Bayco USA		TITLE	
Cincinnati, Ohio, U.S.A A DVCC Inc. Company		D2C 2" SERIES DIMENSIONS	
THIS DRAWING IS CONFIDENTIAL PROPERTY OF DIXON BAYCO USA, A DIVISION OF DVCC AND IS SUBJECT TO RETURN ON DEMAND. © COPYRIGHT 2000 DO NOT COPY.			
DIM. TOLERANCES UNLESS SPECIFIED	SIZE	DRAWN BY	DWG NO.
INCHES .X +/- .050 MACHINE FRACTION +/- 1/64	C	FAHL	D2C-SERIES-200-CST
.XX +/- .010 ROUGH CASTING +/- 1/32	SCALE	DATE	REV
.XXX +/- .005 SURF. FINISH 125 AA MAX	FULL	11AUG2010	
ANGLES +/- 1/2	SHEET 1 OF 1		