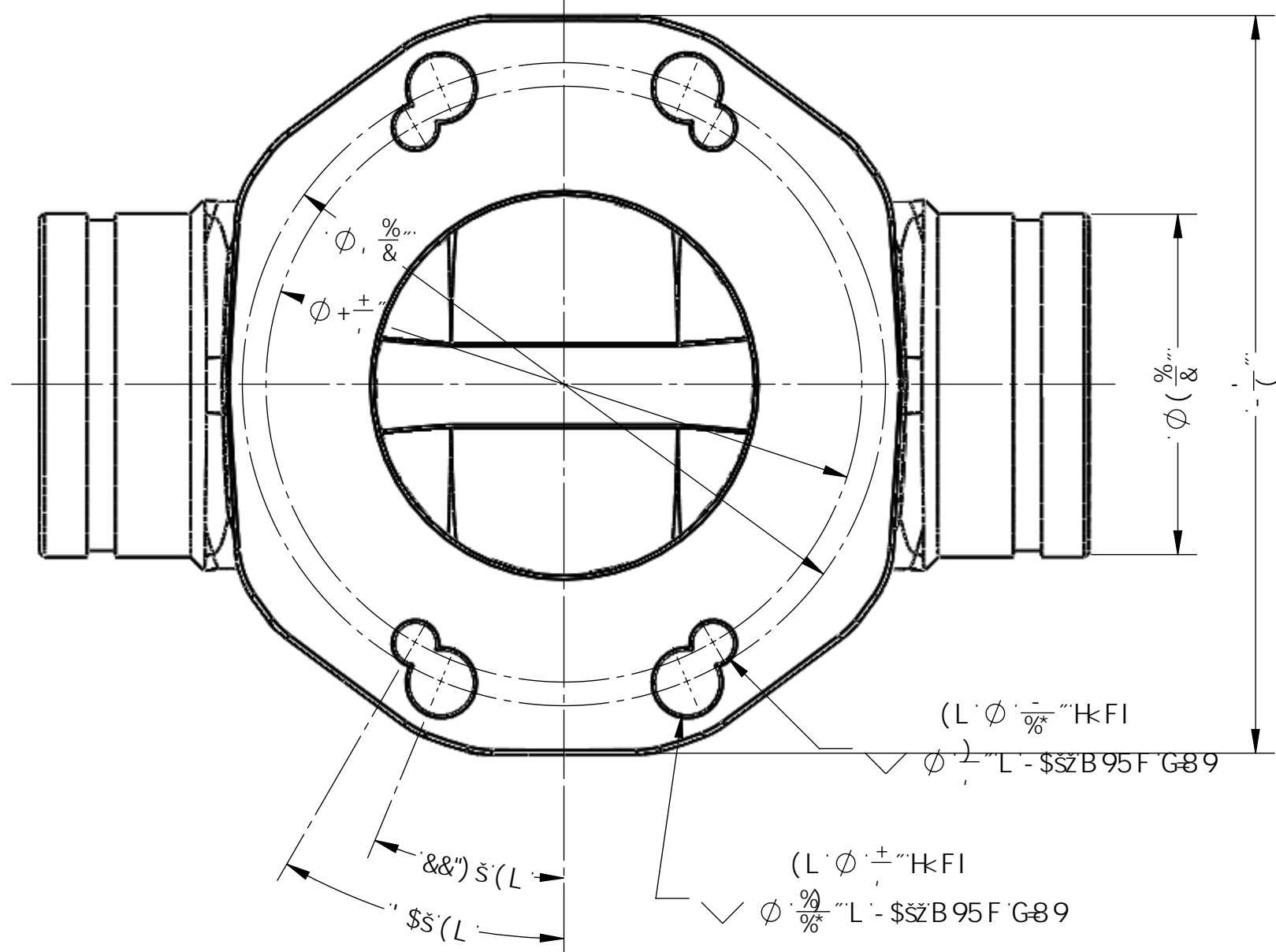


%

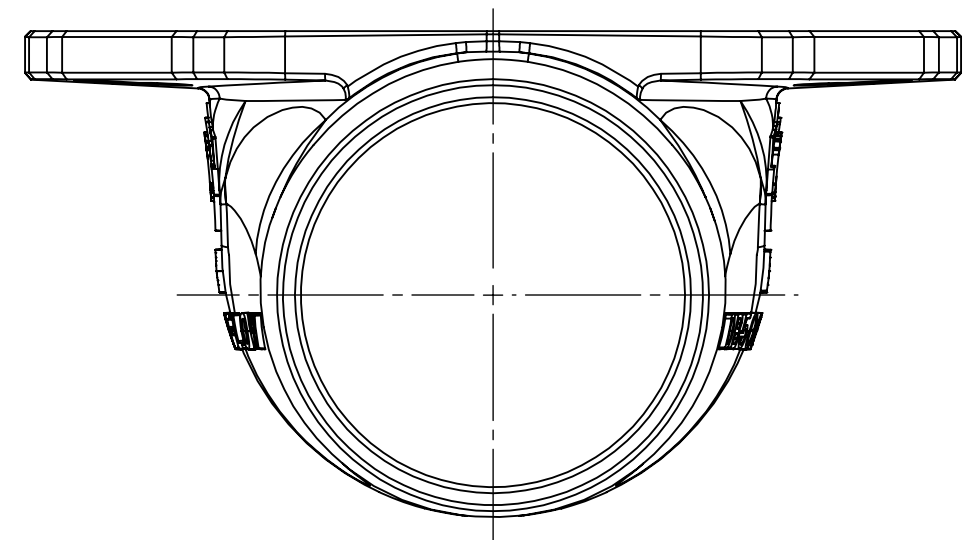
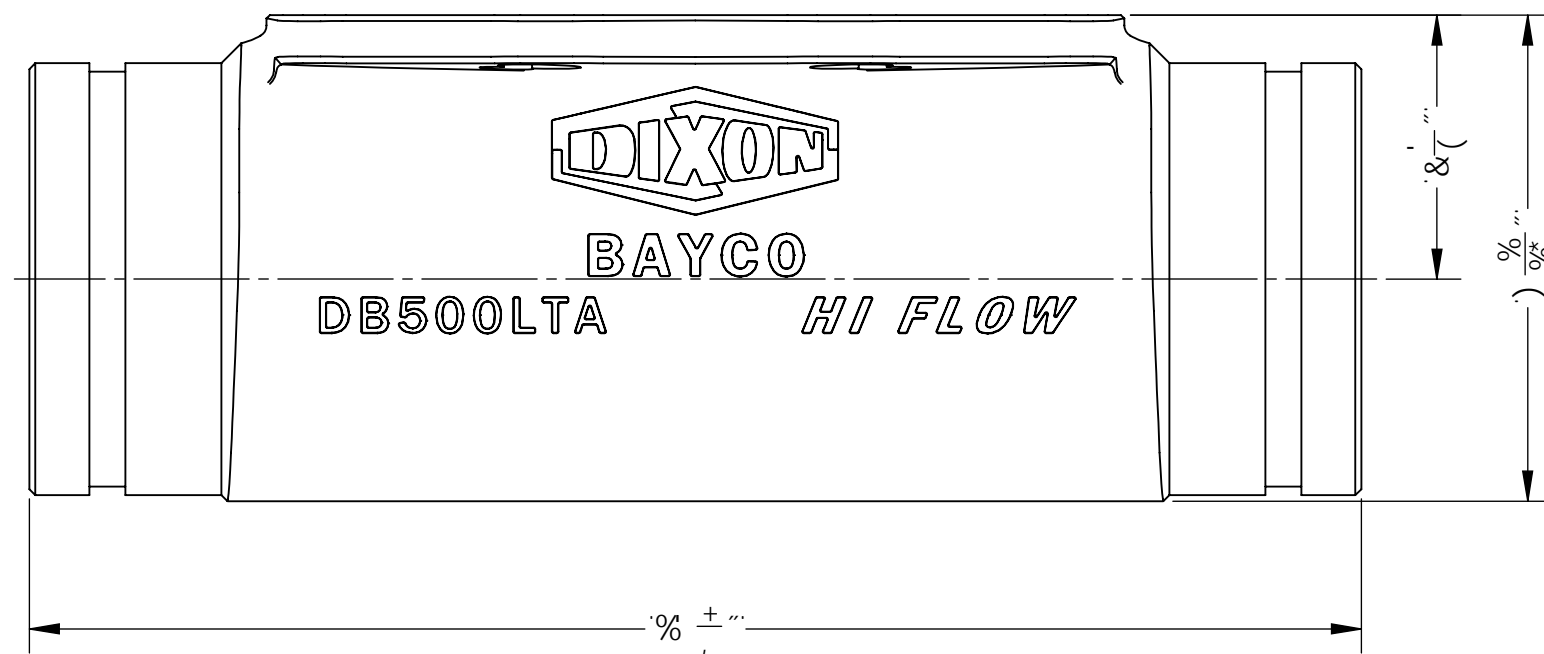
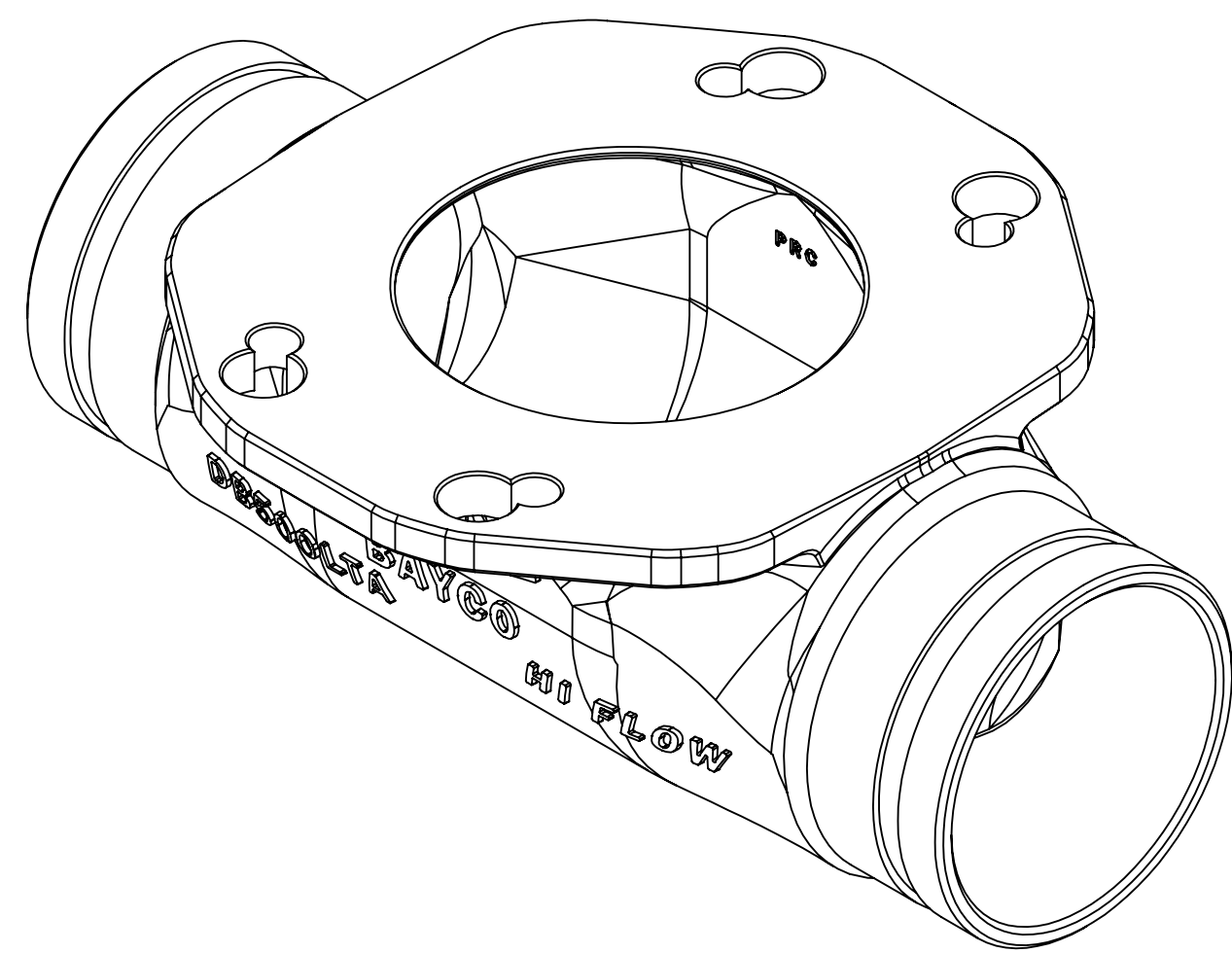
\$

#

"



F9J-GCBG			
F9J	89G7 F-DHC B	85H9	5DDFC J 98



8 JI cb'6 UnWc'1 G5 7 JbVpbUHzC\ jczl 'G5 5 8J77 bW7ca dUbm	HH@ 86) \$\$@H5 '7I GHCA9F' 8F5K-B;
Hc:G8F5K-B; :G7CB: 89H5 @DFC09FHM: 84CB 85MPC1 G525 8J77 5B8 4QI 6-97HHC F9H FB'CB'89A5B8" 7CDMF# <H855' 8C BCH7CDM'	GND 8F5K B'6M 8K; 'BC" 7 :5<@ 86) \$\$@H5!7 GH F9J
8-A"HC@F5B79G1 B@GGGD07# 498 87-9G1 ZH 3) A57-48: F57HCB ZH 7W(L LL ZH 3) FC: < 75 GH8; LL ZH 3) GI: 84-70) 55 A5L LL ZH 3) 5B: @G: %	G75 @ %& 85H9 %G9D8\$% G<99H %'C:'"%

%

\$

#

"