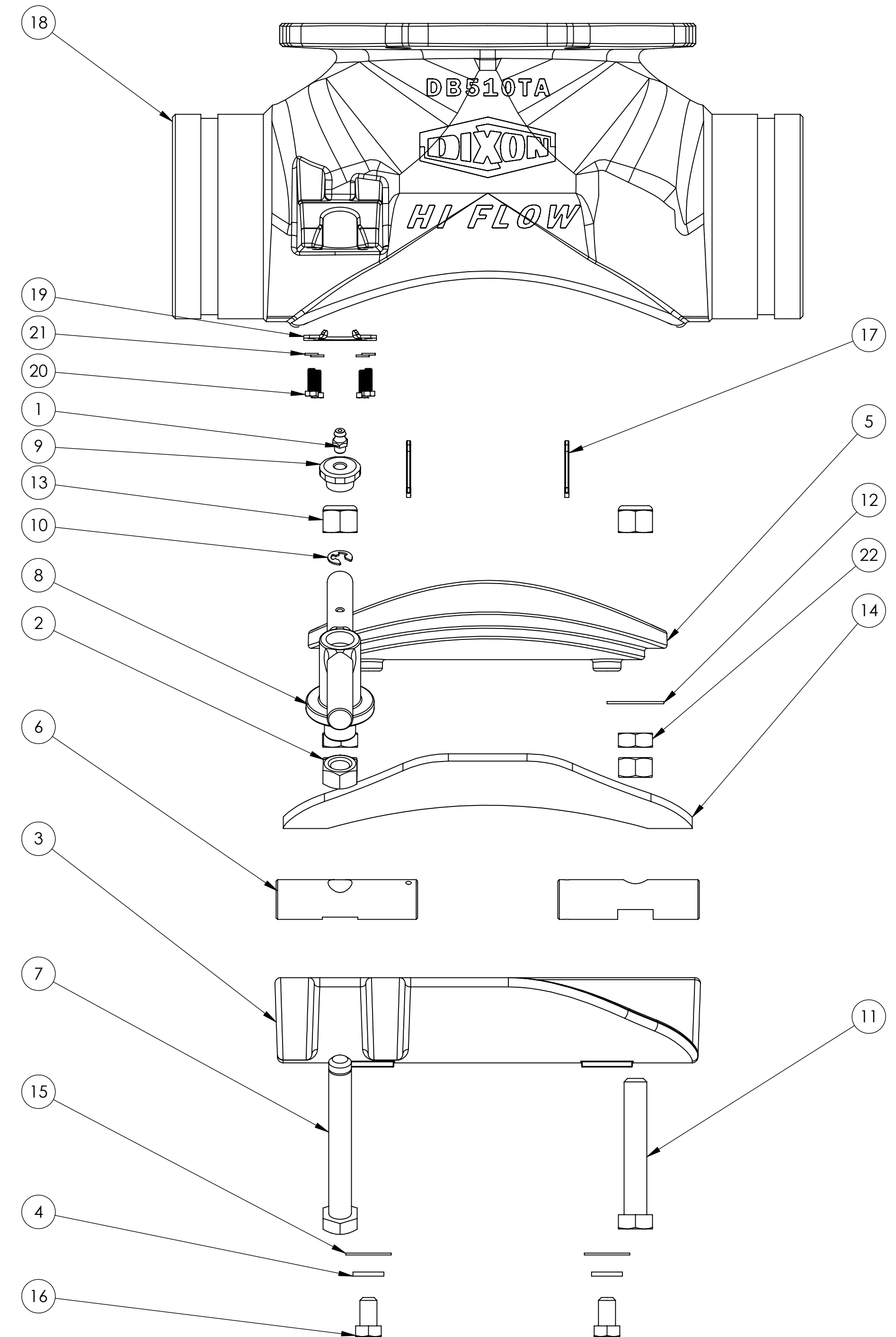
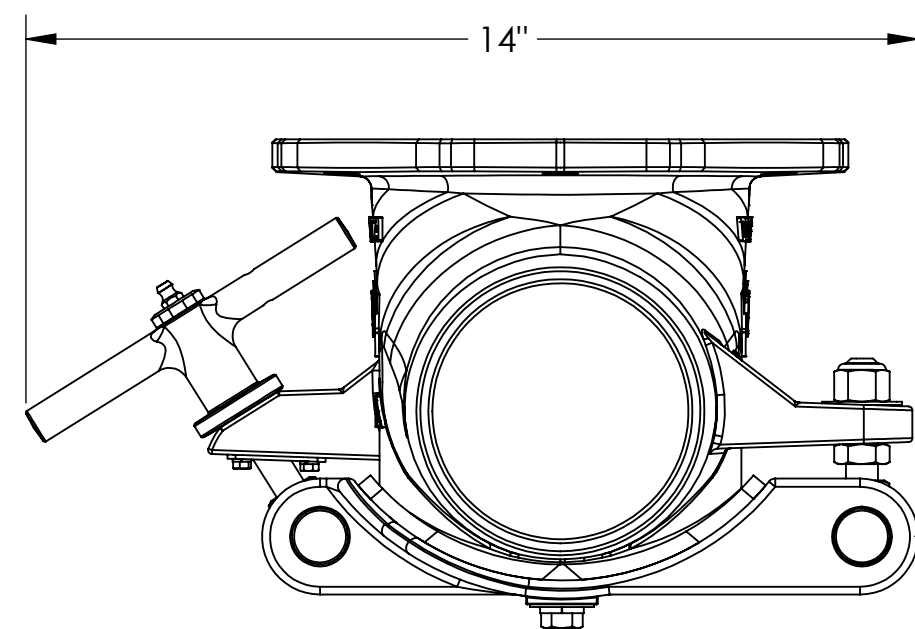
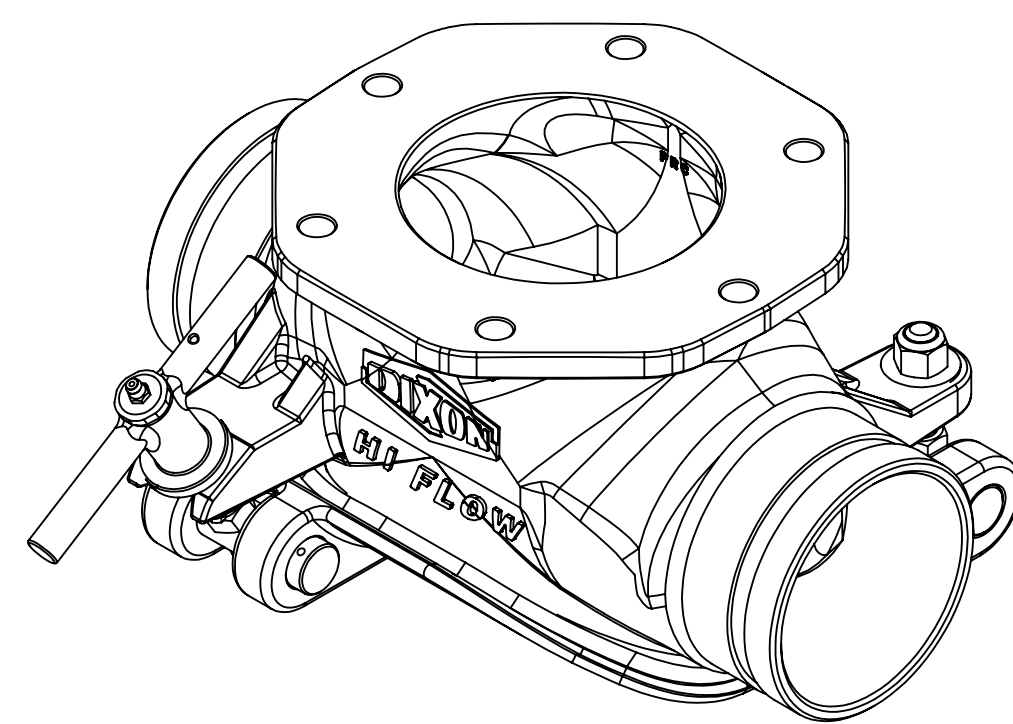
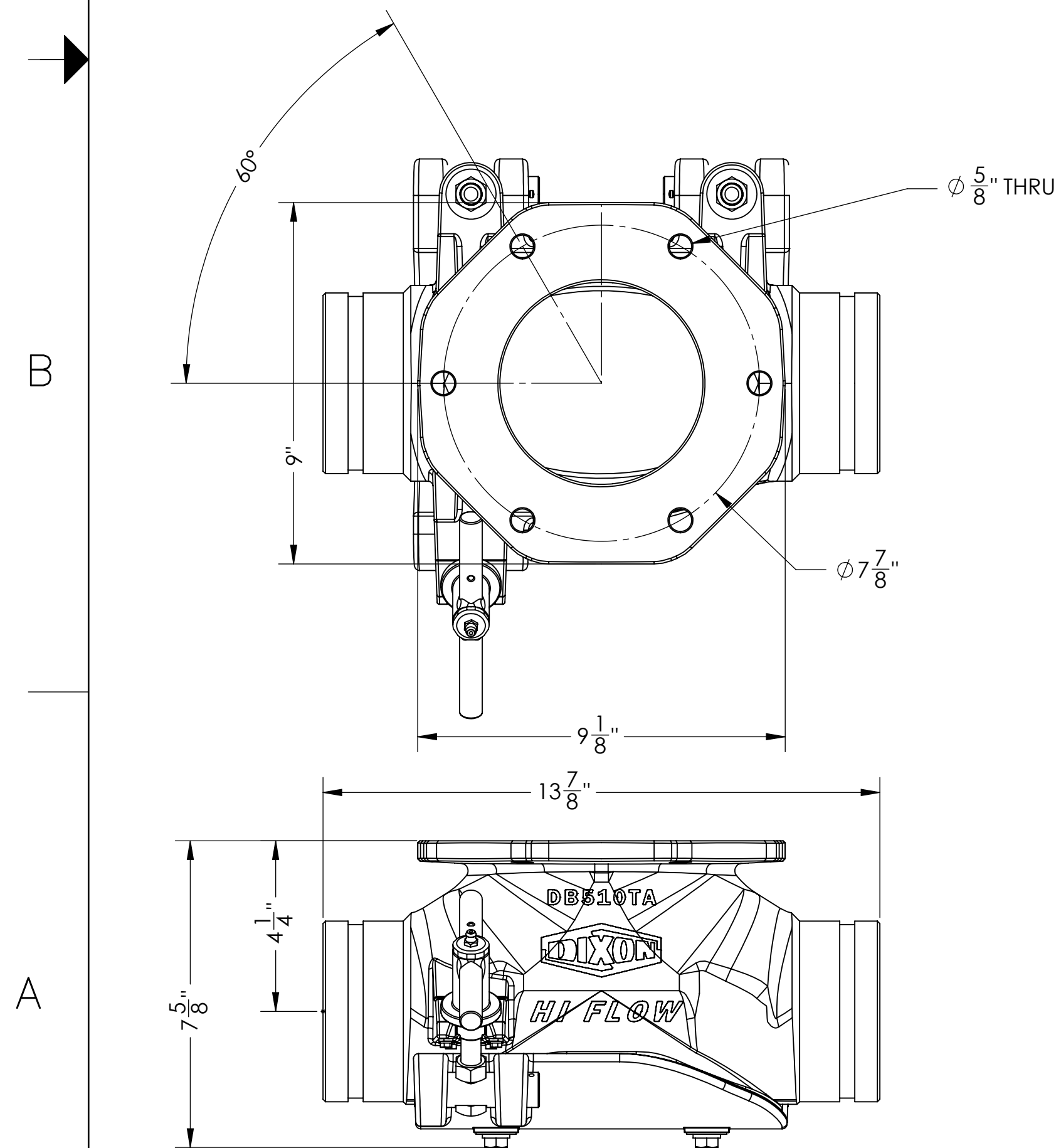


ITEM NO.	PART NUMBER	DESCRIPTION	QTY.
1	40158ST	GREASE FITTING	1
2	10224	NUT - GROUND BOLT 1/2-13	3
3	40394AL	5" BOTTOM DROP TEE FITTING DOOR	1
4	40263SS	LOCKWASHER	2
5	40403AL	5" BOTTOM DROP HOPPER TEE DOOR INSERT	1
6	40436SS	BOTTOM DROP HOPPER TEE PIVOT / CLAMP ROD	3
7	40443SS	1/2"-13 X 3 L HHCS	1
8	40402SS	BOTTOM DROP HOPPER TEE CLAMP HANDLE	1
9	40444BR	BOTTOM DROP TEE FITTING HANDLE CAP	1
10	40442SS	E-CLIP 13.8mm x 5.84mm x .9mm	1
11	40437SS	1/2"-13 X 3 L HHCS	2
12	40440SS	1/2" WASHER (0.531 I.D. X 1.125 O.D.)	2
13	40435SS	1/2"-13 LOCK NUT W/NYLON INSERT	2
14	40441BN	5" BOTTOM DROP TEE FITTING DOOR GASKET	1
15	40438SS	3/8" WASHER (0.406 I.D. X 1.000 O.D.)	2
16	40439SS	3/8"-16 X 0.625L HHCS	2
17	40445SS	COTTER PIN 3/32 x 1-1/4	2
18	40393AL	5 X 4 BOTTOM DROP HOPPER TEE	1
19	40453SS	RETAIN PLATE	1
20	40454SS	8-32 SCREW	4
21	40455SS	#8 SPLIT WASHER	4
22	40456SS	JAM NUT, 1/2"-13	2



Dixon Bayco USA Cincinnati, Ohio, U.S.A. A DWCC Inc. Company <small>THIS DRAWING IS CONFIDENTIAL PROPERTY OF DIXON BAYCO USA, A DIVISION OF DWCC AND IS SUBJECT TO RETURN ON DEMAND. © COPYRIGHT 2009. DO NOT COPY.</small>	TITLE 5 X 4 BOTTOM DROP TEE FITTING ASSEMBLY (CUSTOMER DRAWING)		REV 0
	SIZE D	DRAWN BY FAHL	DWG NO. DB510TA-CST
<small>DIM. TOLERANCES UNLESS SPECIFIED INCHES: ±.005 MACHINED FRACTIONS ±.002 XX ±.005 HOUGH CASTING XXX ±.005 SURF FINISH ±.005 AA MAX ANGLES: 1:2</small>	SCALE 1:2	DATE 06JUN2013	SHEET 1 OF 1