

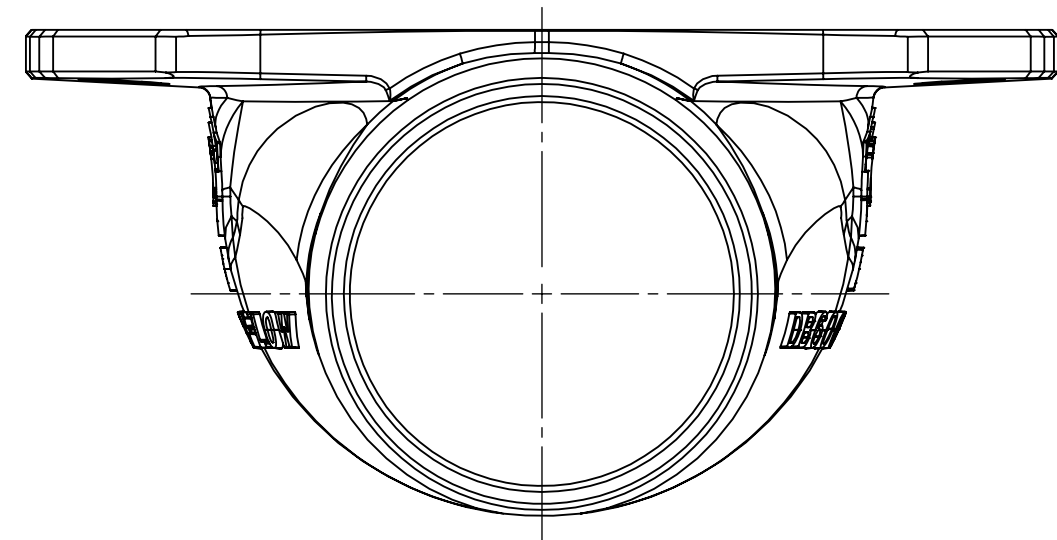
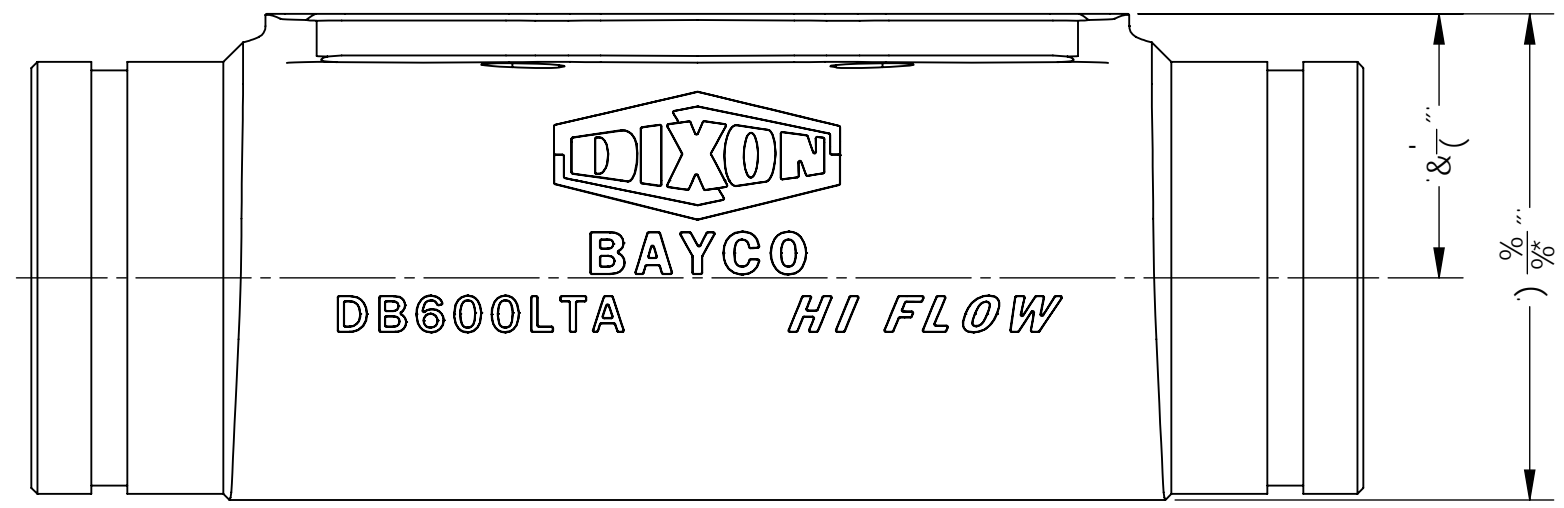
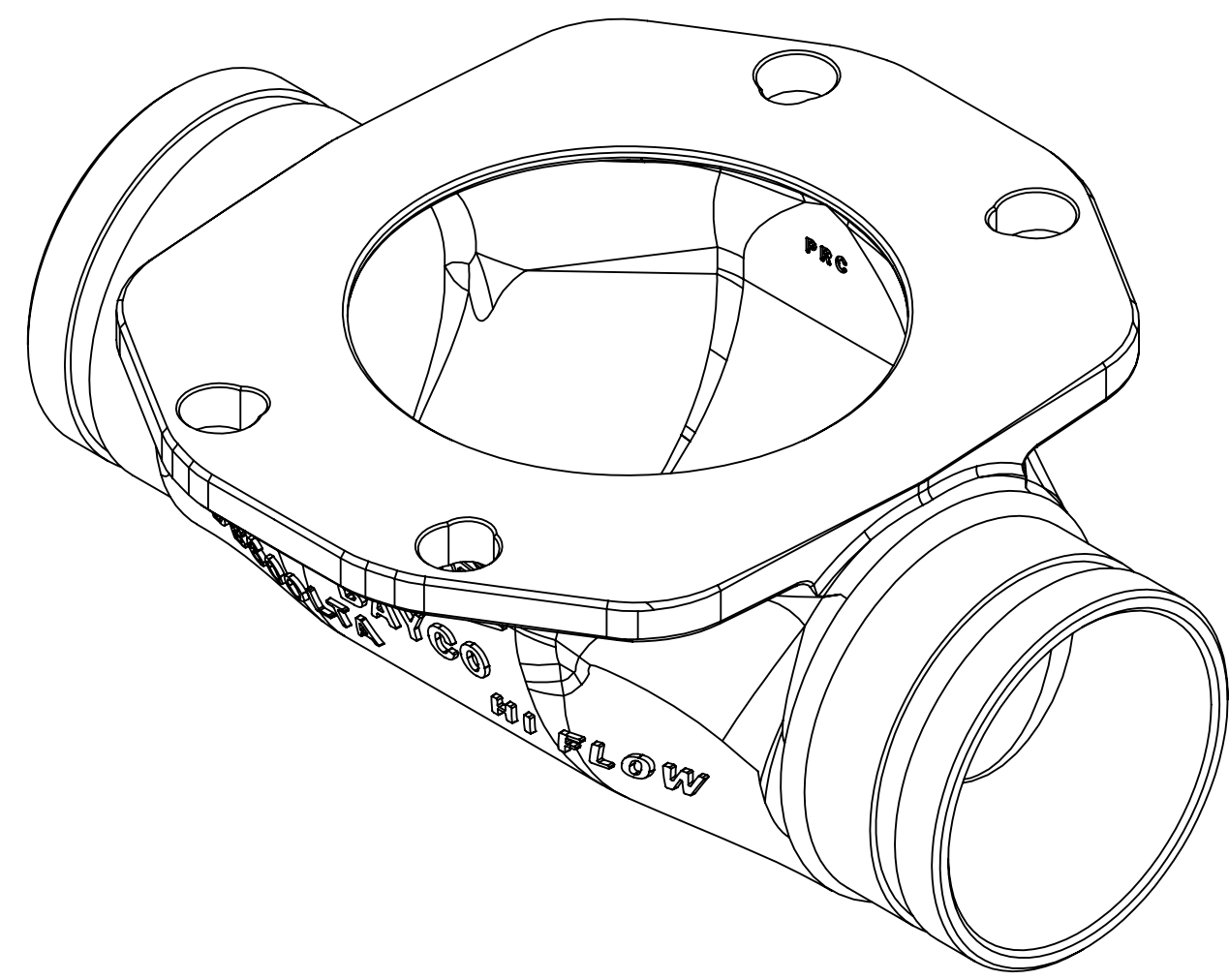
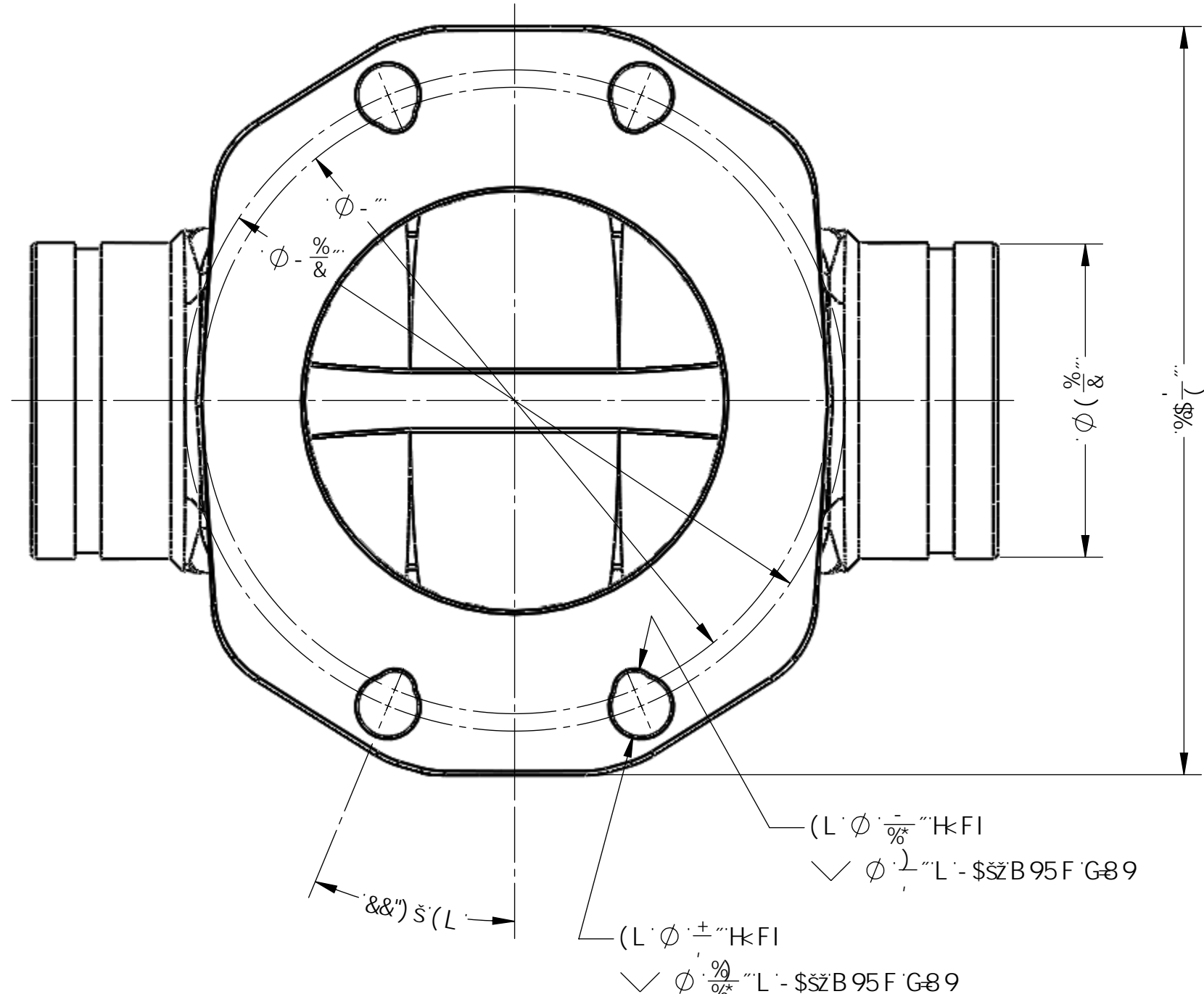
%

\$

#

"

F9J-GCBG			
F9J	89G7 F-DHC B	85H9	5DDFC J 98



8 JI cb'6 UnWc'1 G5		HH@	
7 JbVpbbUHzC\ jczl 'G5 5 8J77 bW7ca dUbm		86 * \$\$@H5 '7I GHCA9F' 8F5K-B;	
Hc:G8F5K-B; :G7CB:89H5@DFCD9FHM C: 84CB65MPC1 G525 8J77 5B8 40G1 6-97HMC F9H FB'CB'9A5B8" ⑦ 7CDMF# <H855' 8C BCH7CDM'		GND	8F5K B'6M
8-A"HC@F5B79G1 B@GGGD07#-98 87-9G1 ZH 31) A57<49: F57HCB ZH'W& LL ZH 3) FCI: <75GH8; LL ZH 3) GI F: 844-70) 55 A5L LL ZH 3) 5B: @G: %		8K: 'BC"	86 * \$\$@H5 !7 GH
		G75 @ %&	85H9 %G9D8\$%
		G<99H %'C:'"%	

%

\$

#

"