

%

\$

#

"

5

5

4

4

3

3

2

2

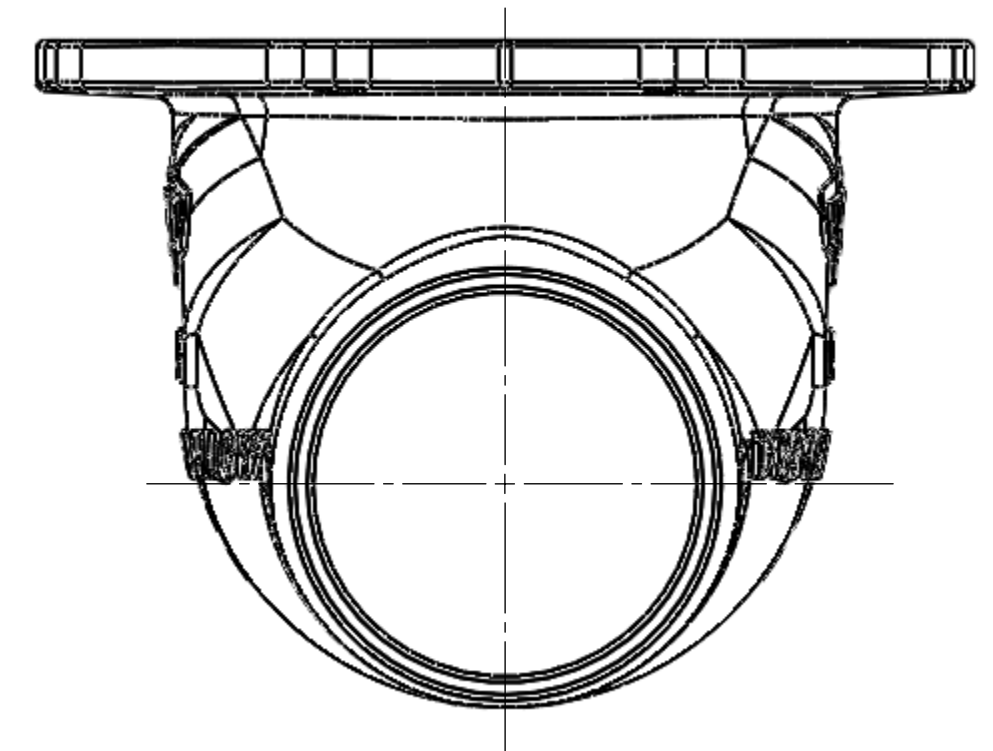
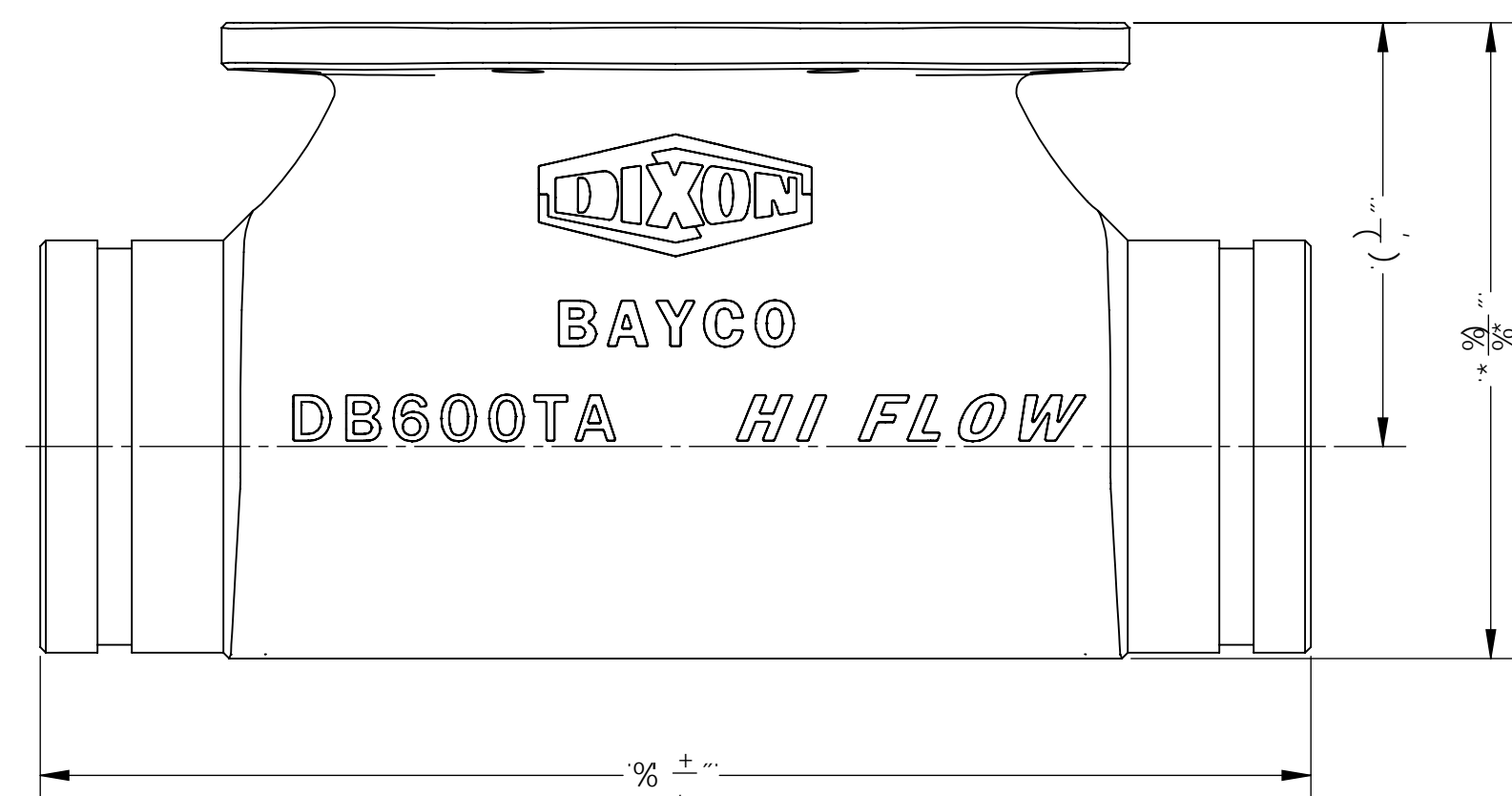
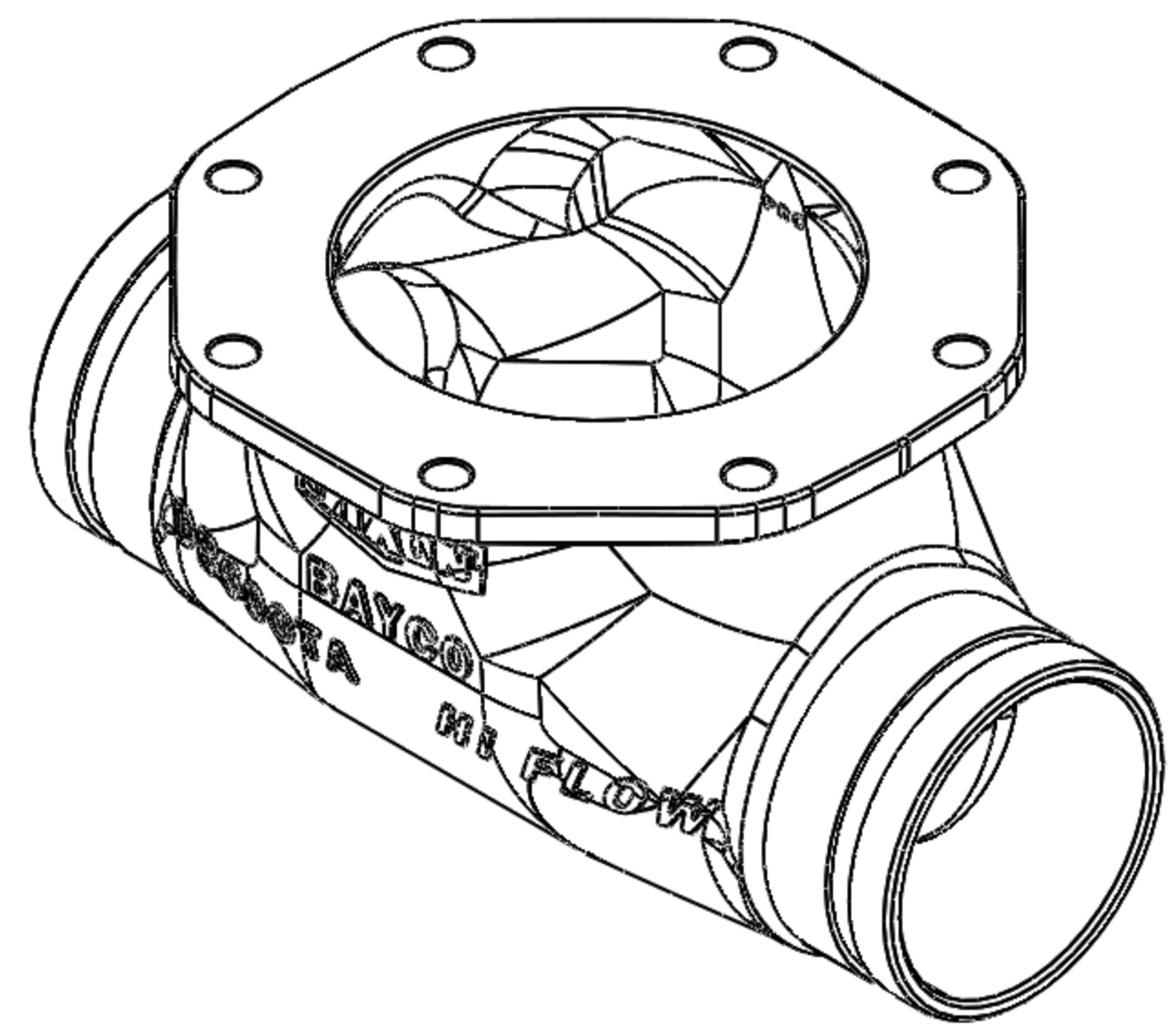
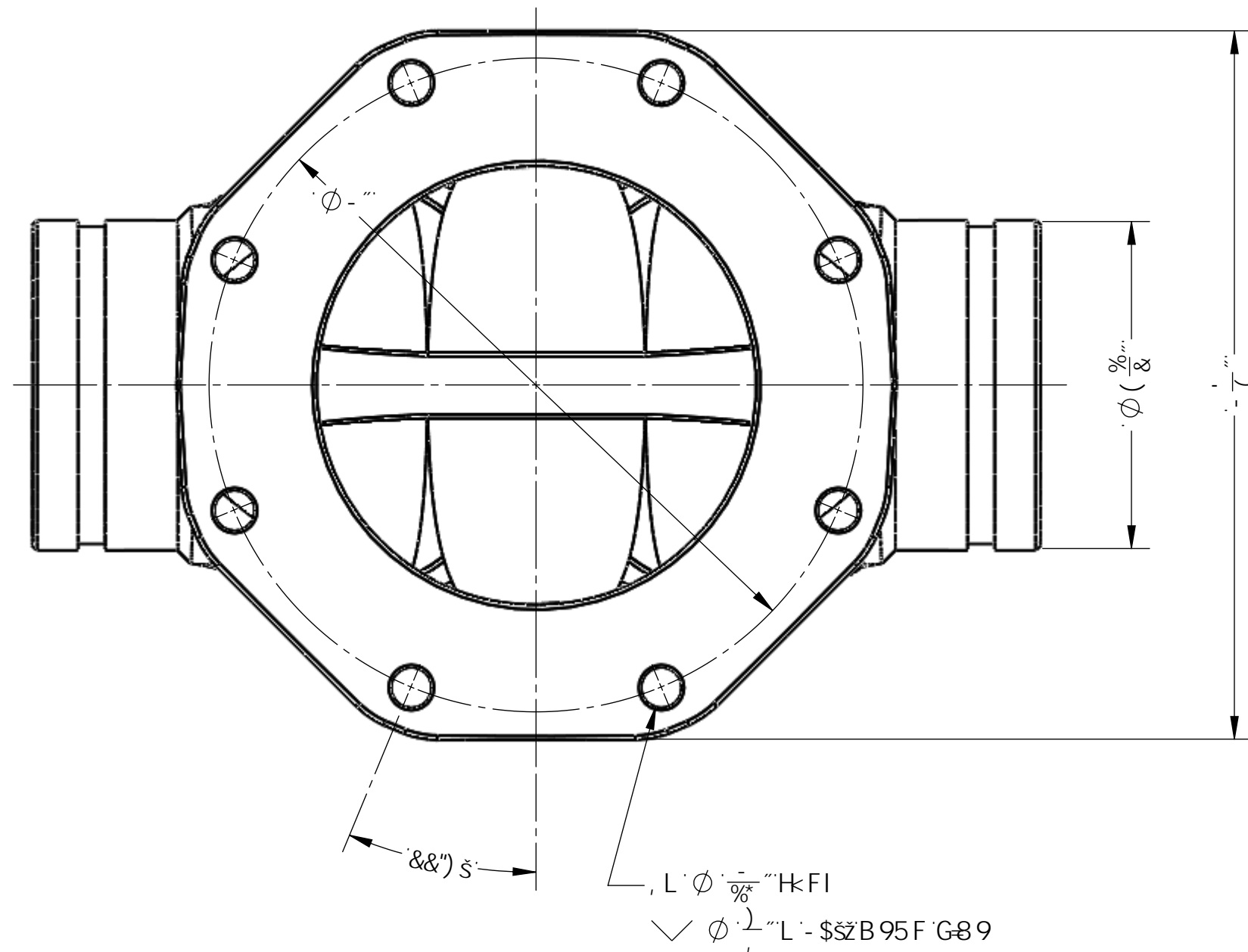
%

\$

#

"

F9J-GCBG			
F9J	89G7 F-DHC B	85HP	5DDFC J 98



8 J l cb'6 UnWc'1 G5	HH@	86 * \$\$\$H5 '71 GHCA9F'	
7 JbVpbUHzC\ jczl 'G5		8F5K-B;	
5 8J77 bW7ca dUm			
Hc:G8F5K-B; G7CB:89H5@DFCD9FHM:			
84CB65MPC1 G525 8J77 5B8			
40G1 6-97HMC F9H FB'CB'9A5B8			
7CDMF# <H855' 8C BCH7CDM'			
8-A'HC@F5B79G1 B@GGGD97# 498			
87-9G1 ZH 315 A57<49: F57HCB ZH'W&			
LL ZH 315 FC1: <75GH8: ZH'W&			
LL ZH 315 G1: 84: 700 55 A5L			
LL ZH 315 5B: @G: %			
GND 7	8F5K B'6M	8K: 'BC'	F9J
7	: 5 < @	86 * \$\$\$H5 !7 GH	
G75 @ %&	85H9 %&G9D8\$%	G<99H %'C: ''%	