

%

\$

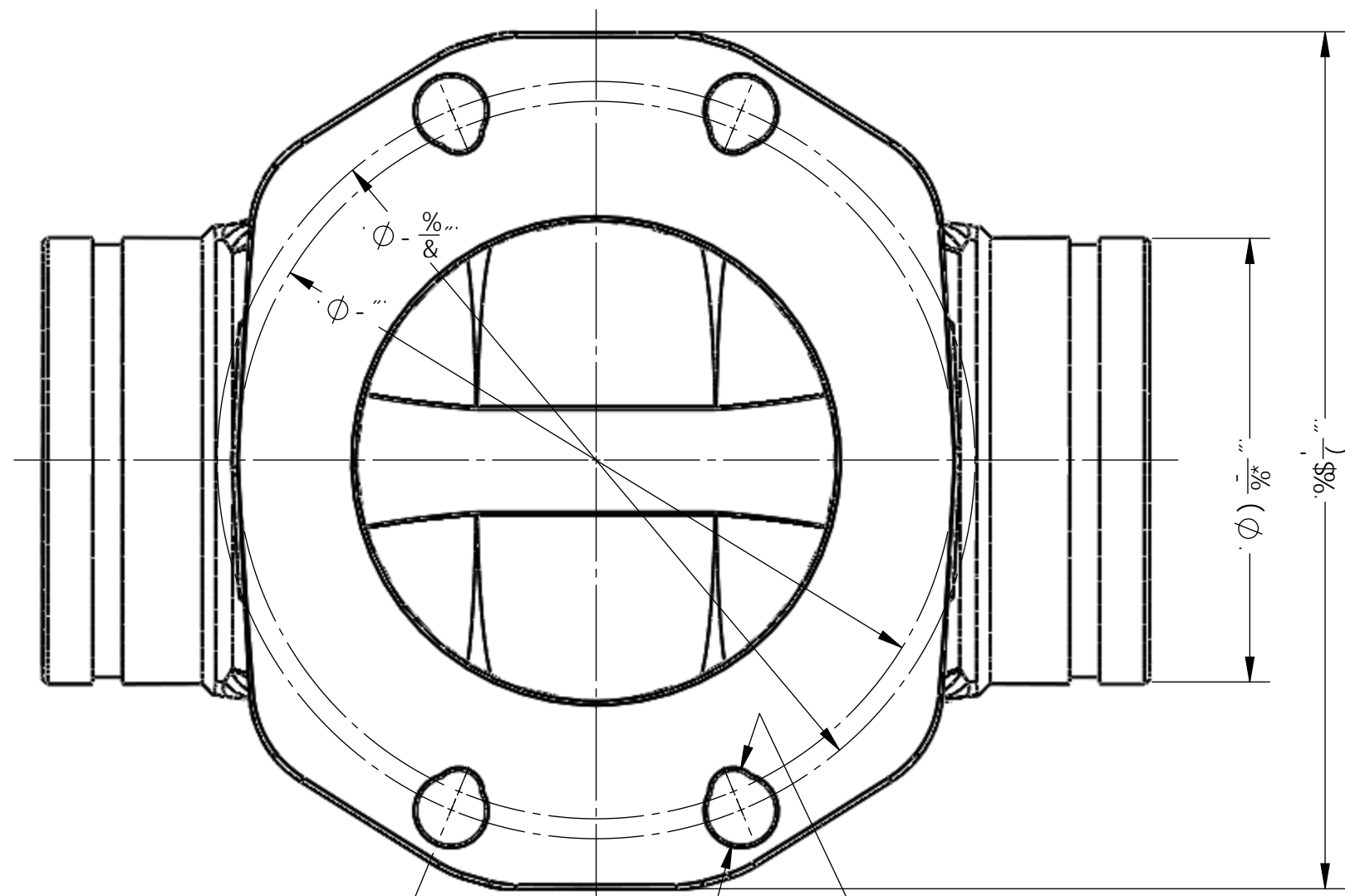
#

"

F9J-GCBG			
F9J	89G7 F-DHC B	85H9	5DDFC J 98

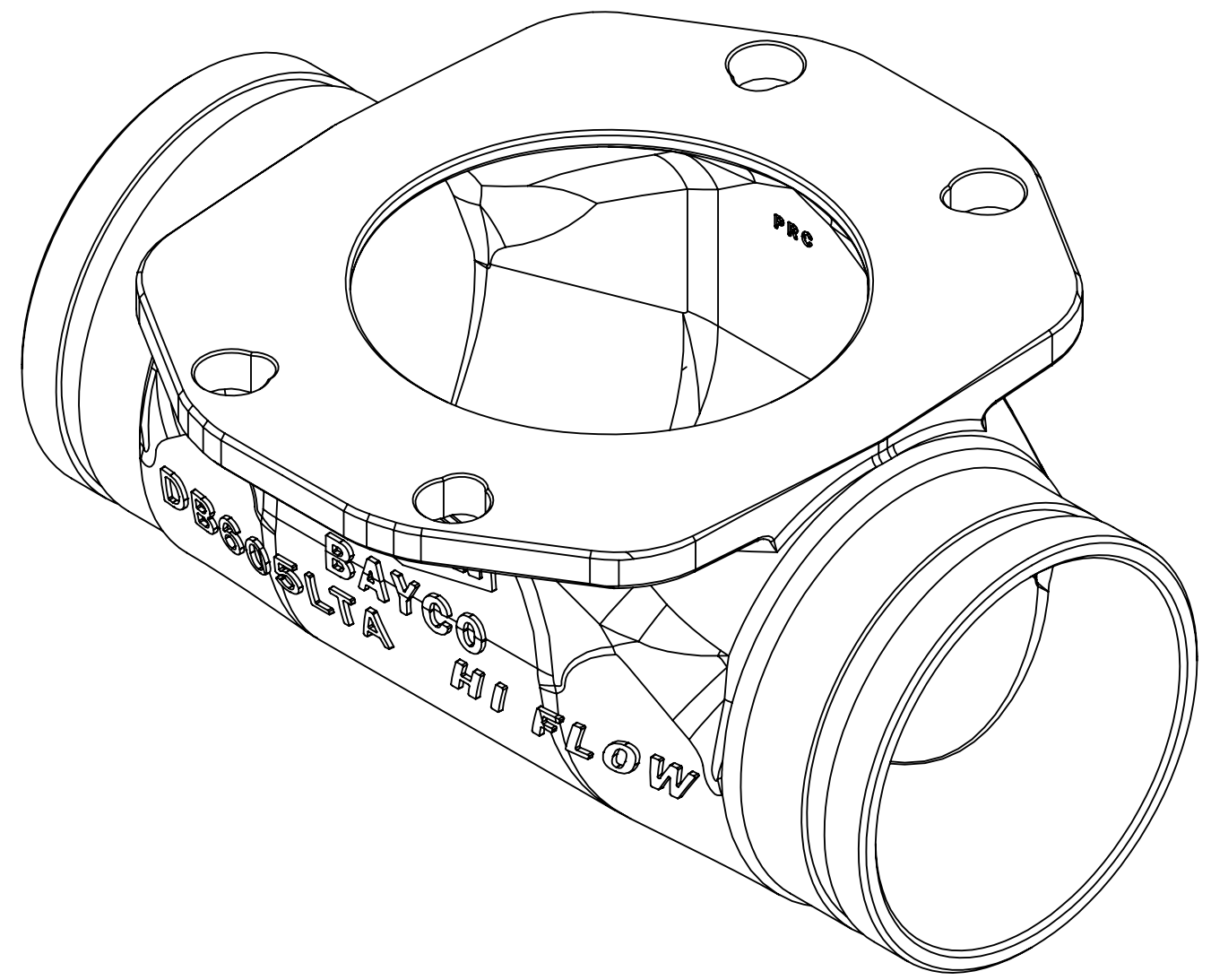
5

5



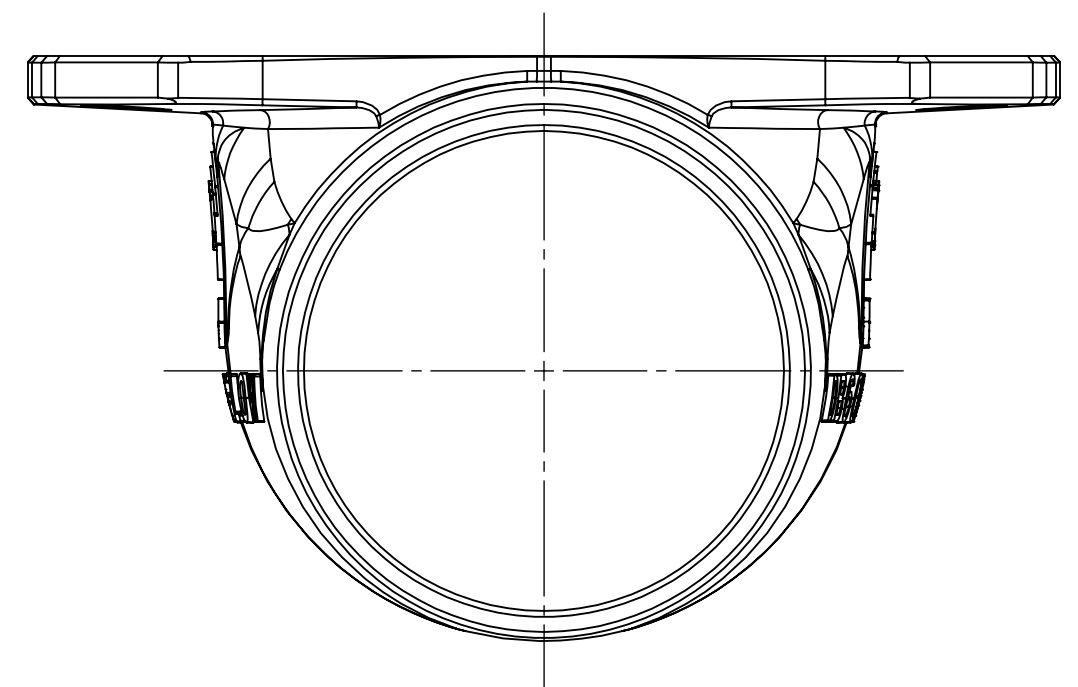
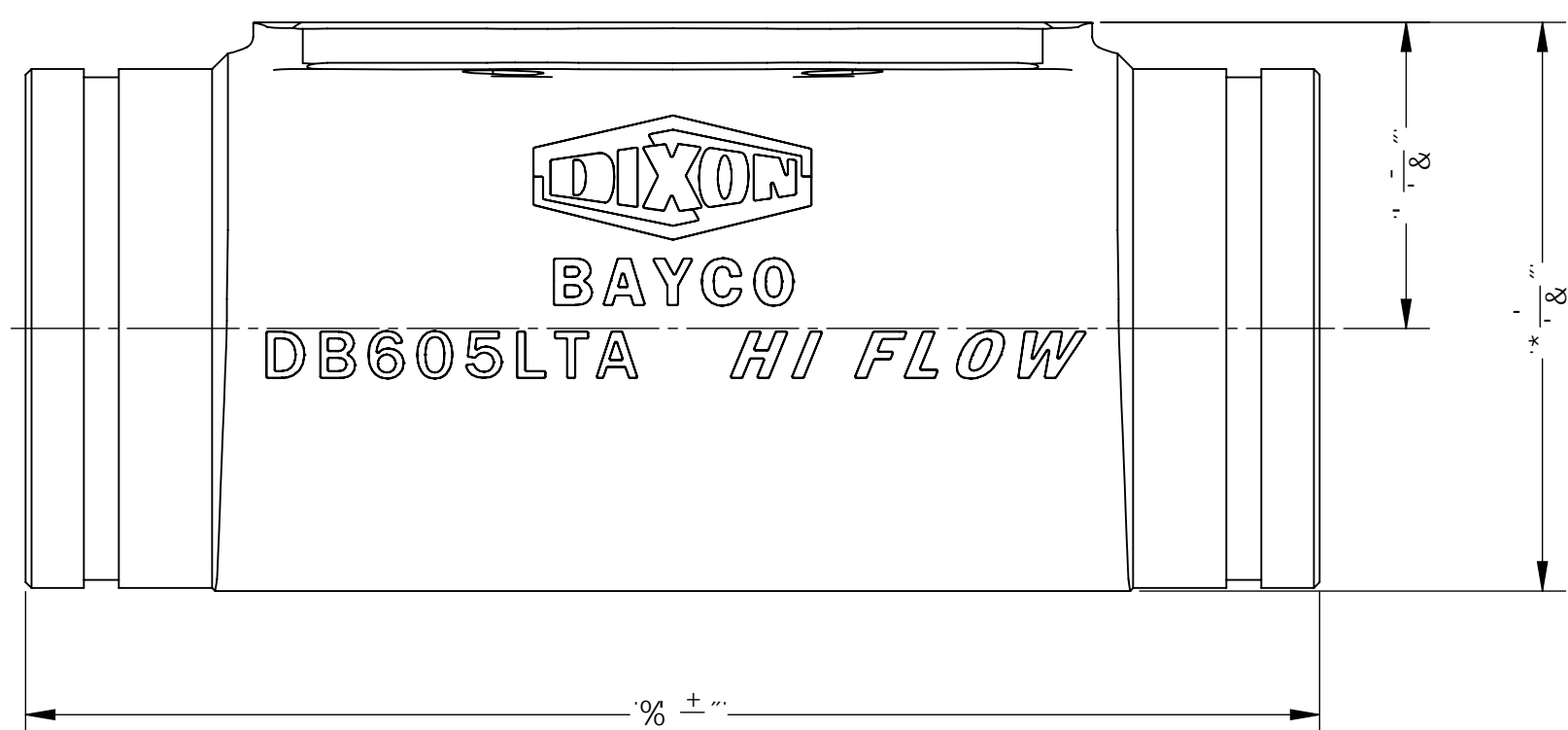
4

4



3

3



2

2

8 J l cb'6 UnWt'1 G5		HH@	
7 j b V b b U n Z C \ j c z I ' G 5		86 * \$) @ 15 ' 7 I GHCA 9 F'	
5 8 J 7 7 b W 7 c a d U b m		8 F 5 K - B ;	
Hc: 68F5K-B; G7CB: 89H5 @DFCD9FHM; 84CB55MFC1 G525 8J77 5B8		GND	8F5KB6M
40G1 6-97 HMC F9H FB'CB 99A5B8		7	: 5 < @
7CDMF# <H855' 8C BCH7CDM'		8K: 'BC'	86 * \$) @ 15 ! 7 GH
8-A'HC @ F5B79G1 B @ GGCD97 = 49		F9J	
87-9G1 ZH 31; A57-49; F57HCB ZH 7W		G75 @ %&	85H9 %&G9D8\$%
LL ZH 33; FC1: < 75 GH; ZH 7W			G<99H %'C:'%
LL ZH 33; G1: 84-70 55 A5L			
5B: @G: %			

%

\$

#

"