

%

\$

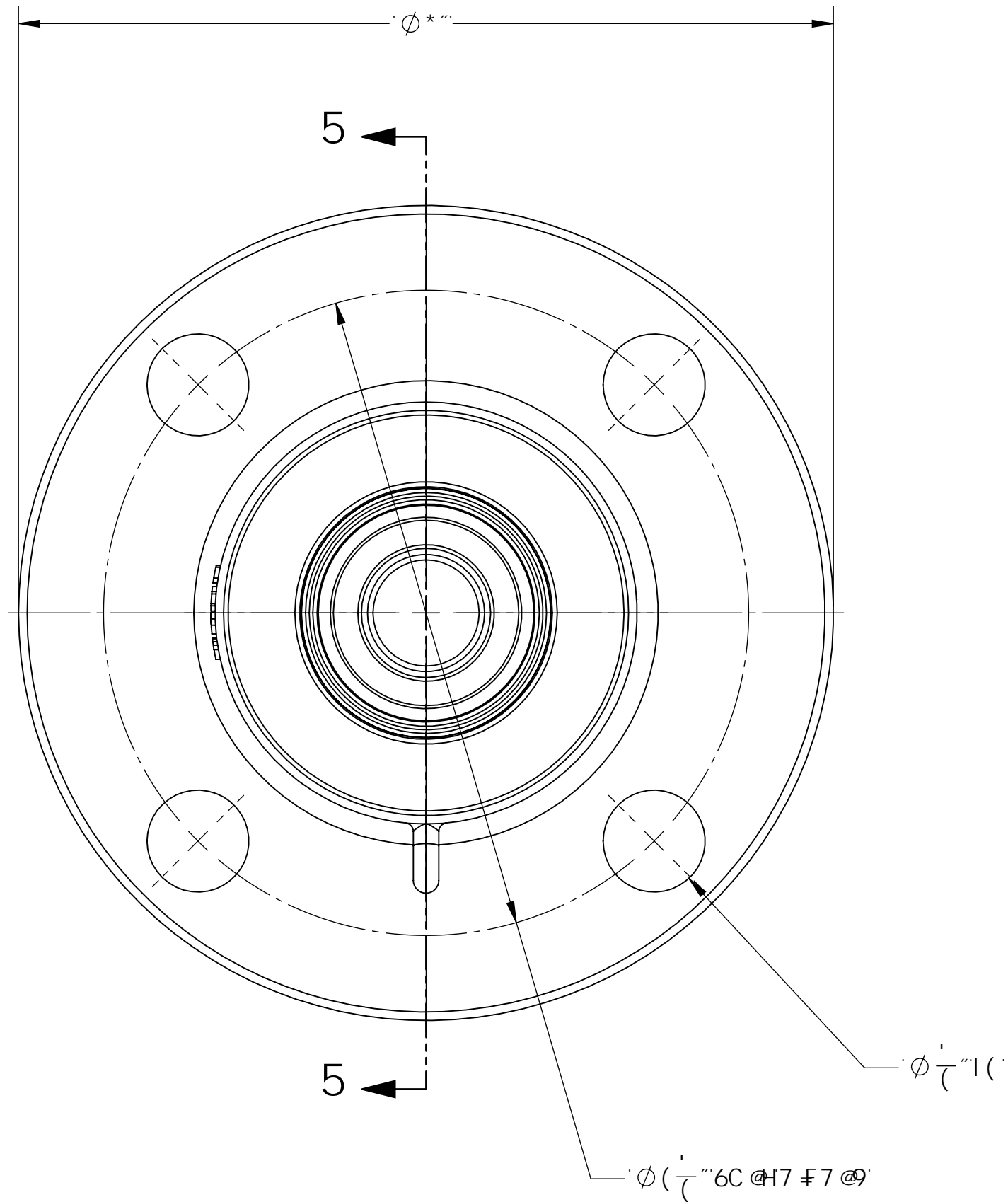
#

"

F9J GC BG			
F9J	89G7 F DHC B	85H9	5DDFC J 98

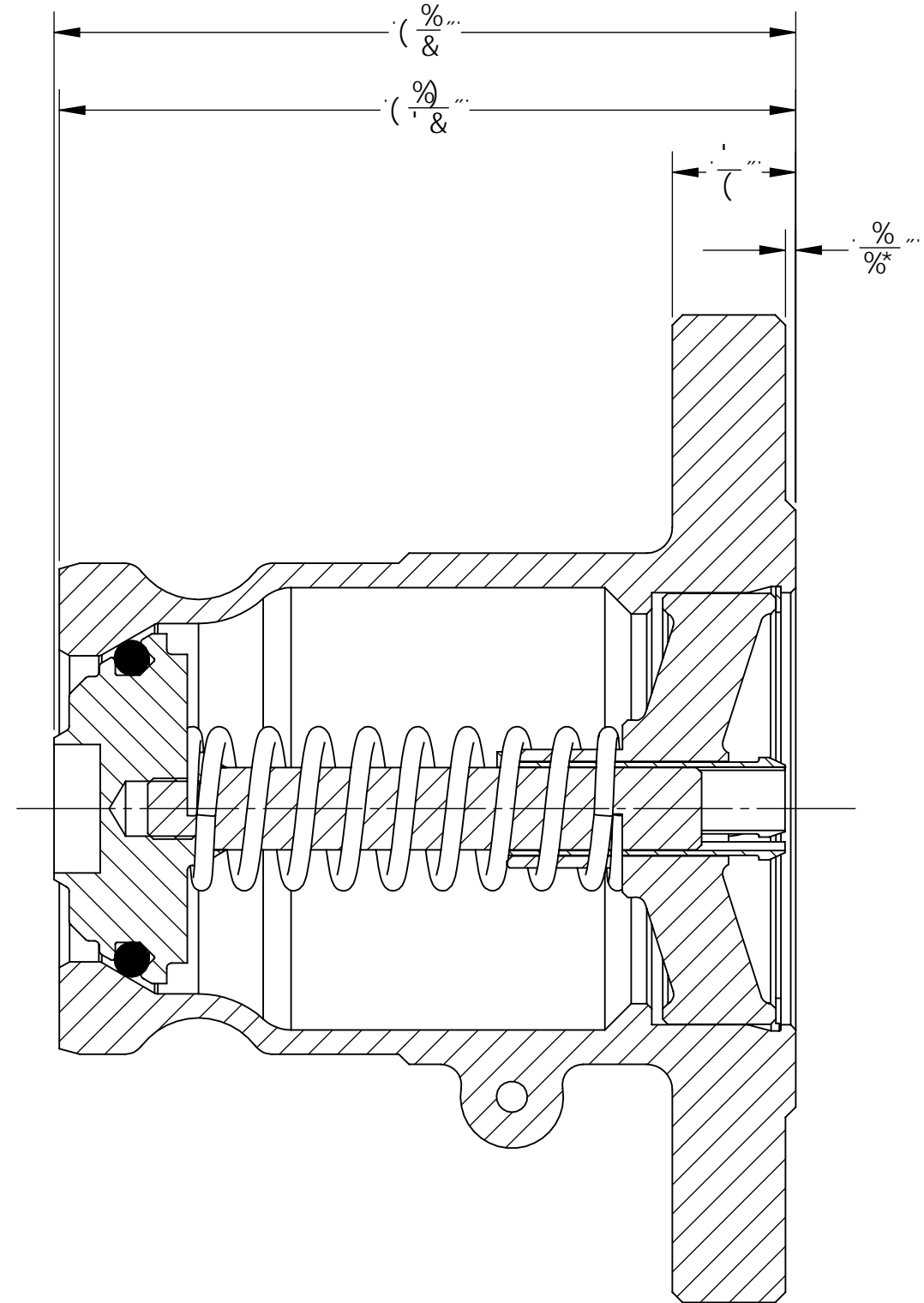
5

5



4

4



G97 HCB 5 I 5

3

3

2

2

<b>8 J l cb'6 UnWt'1 G5</b>		HH@	
7 j b V b b U t z C \ j c z l ' G 5		<b>8 6 5 : '&amp;' G 9 F - 9 G ' 8 - A 9 B G - C B G</b>	
5 8 J 7 7 - b W 7 c a d U b m		F9J	
H: 68F5K: B: G7CB: 89H5 @DFCD9FHC:		GND	8F5KB'6M
84CB55M7C1 G525 8jdgCB C: 8J77 5B8		<b>7</b>	<b>DF 7 9</b>
40G1 6-97HHC F9H FB'CB'9A5B8"		<b>8 6 5 : ! G 9 F - 9 G ! &amp; \$ \$ 1 7 G H</b>	
7CDMF# <H855' 8C BCH7CDM'		G75 @	: I @@ 85H9 \$&I B9&\$%%
8-A"HC@F5B79G1 B@GGGD97 = 498		G<99H %'C:''%	
87<9G1 ZH 3) A57<49: F57HCB ZH'W(L			
LL ZH 3) FC1: <75GH8: ZH'W&			
LL ZH 3) GI: 84: 70) 55 A5L			
LB: @G: %"			

%

\$

#

"