

%

\$

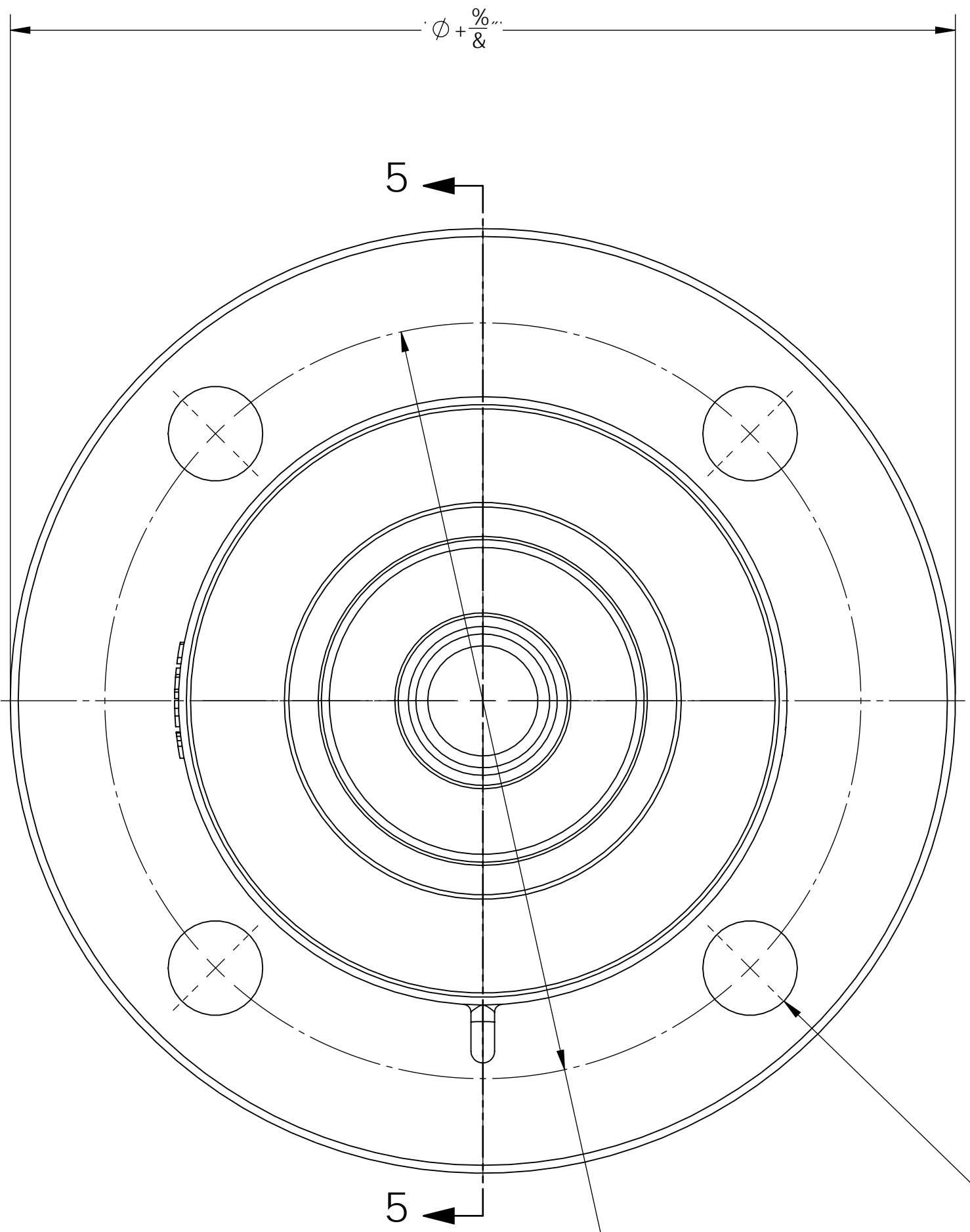
#

"

F9J GC BG			
F9J	89G7 F DHC B	85H9	5DDFC J 98

5

5



4

4

3

3

2

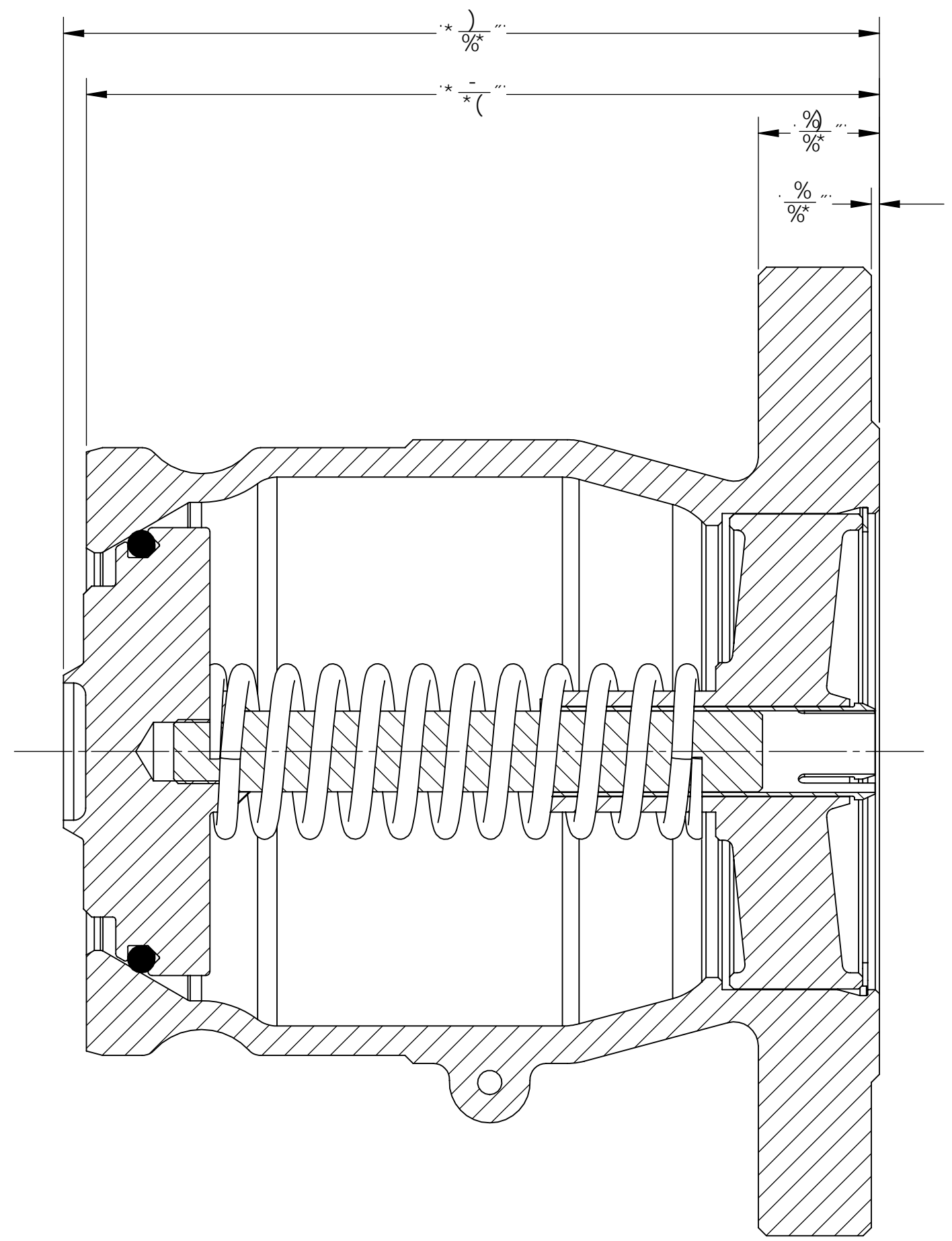
2

%

\$

#

"



G97 HCB 5 15

8 J l cb'6 UnWt'1 G5		HH@	
7 JbVpbUHzC\ jczl 'G5		865: ' " "G9F 9G'8 A9BG-CBG	
5 8J77 bW7 ca dUm			
Hc:G8F5K B: G7CB: 89H5 @DFC09FHM:			
84CB 55M C1 G525 8J77 5B8			
40G1 5-97HMC F9H FB'CB 89A5B8			
7CDMF# <H855' 8C BCH7CDM			
8-A'HC@F5B79G1 B@GGD07 = 498			
87<9G1 ZH 3)5 A57<49: F57HCB ZH 7W			
LL ZH 3)5 FC1: <75GH8: ZH 7W			
LL ZH 3)5 G1: <84: 7)5 55 A5L			
LL ZH 3)5 5B: @G: %			
GND	8F5KB'6M	8K: 'BC'	F9J
7	DF 7 9	865: !G9F 9G! '\$\$17 GH	
G75 @ : ! @@	85H9	\$&I B9&\$%%	G<99H %'C: ''%