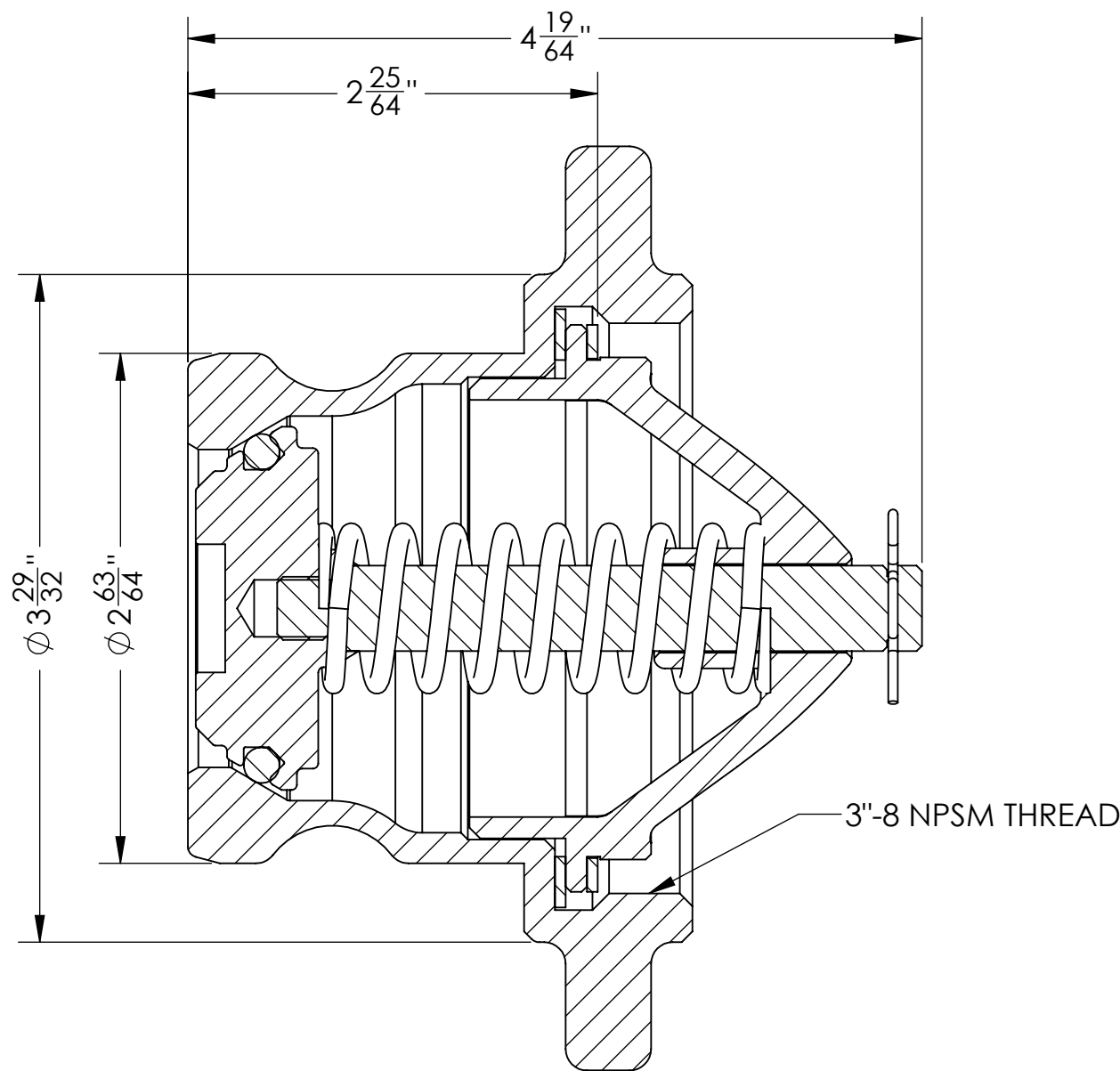
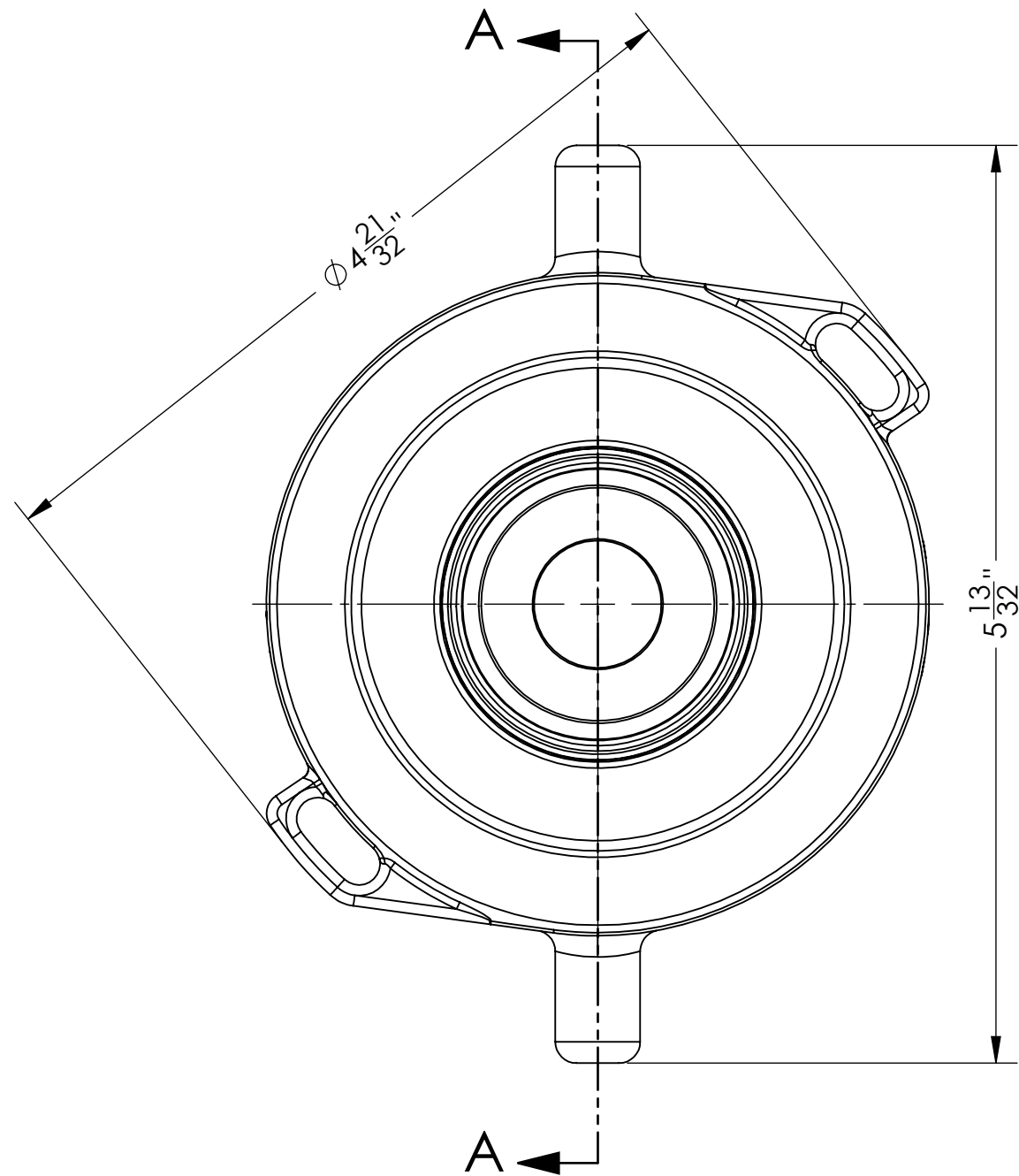


REVISIONS			
REV	DESCRIPTION	DATE	APPROVED



**SECTION A-A**

**Dixon Bayco USA**

Cincinnati, Ohio, U.S.A  
A DVCC Inc. Company

THIS DRAWING IS CONFIDENTIAL PROPERTY OF DIXON BAYCO USA, A DIVISION OF DVCC AND IS SUBJECT TO RETURN ON DEMAND.  
© COPYRIGHT 2000 DO NOT COPY.

**DIM. TOLERANCES UNLESS SPECIFIED**  
INCHES .X +/- .050 MACHINE FRACTION +/- 1/64  
.XX +/- .010 ROUGH CASTING +/- 1/32  
.XXX +/- .005 SURF. FINISH 125 AA MAX  
ANGLES ±1/2°

**TITLE**  
**DBAV73-2"X3" SST & TEFLON DRY DISCONNECT ADAPTER**  
**CUSTOMER DRAWING**

SIZE <b>B</b>	DRAWN BY <b>FAHL</b>	DWG NO. <b>DBAV73-2030-CST</b>	REV
SCALE <b>NONE</b>		DATE <b>12APR2011</b>	SHEET <b>1</b> OF <b>1</b>