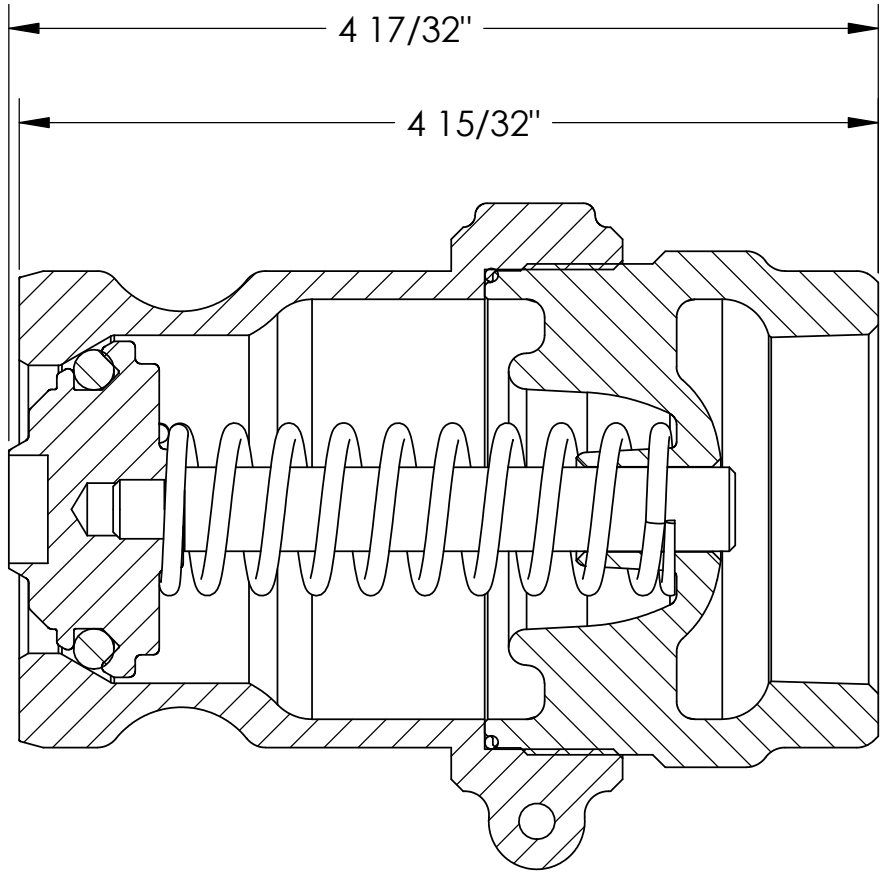
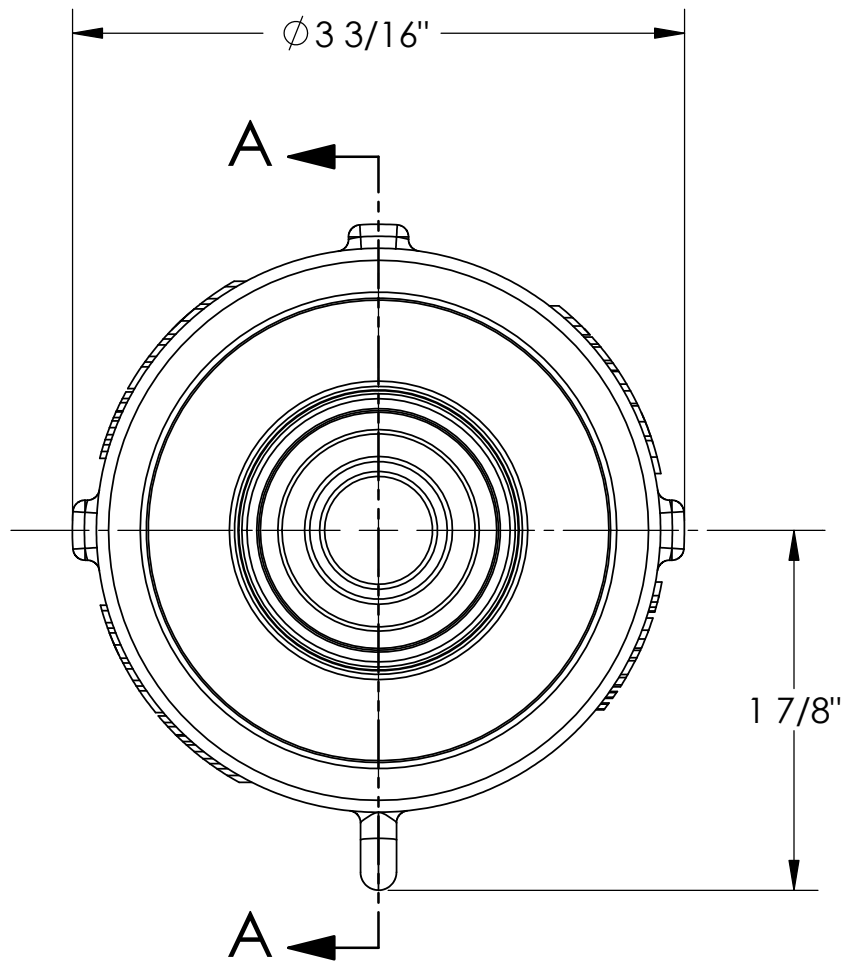


REVISIONS			
REV	DESCRIPTION	DATE	APPROVED



SECTION A-A

Dixon Bayco USA Cincinnati, Ohio, U.S.A A DVCC Inc. Company		TITLE DBA 1.5" SERIES DIMENSIONS	
<small>THIS DRAWING IS CONFIDENTIAL PROPERTY OF DIXON BAYCO USA, A DIVISION OF DVCC AND IS SUBJECT TO RETURN ON DEMAND. © COPYRIGHT 2000 DO NOT COPY.</small>			
<small>DIM. TOLERANCES UNLESS SPECIFIED INCHES .X +/- .050 MACHINE FRACTION +/- 1/64 .XX +/- .010 ROUGH CASTING +/- 1/32 .XXX +/- .005 SURF. FINISH 125 AA MAX ANGLES ±1/2°</small>			
SIZE B	DRAWN BY FAHL	DWG NO. DBA-SERIES-150-CST	REV
SCALE FULL		DATE 12JAN2006	SHEET 1 OF 1