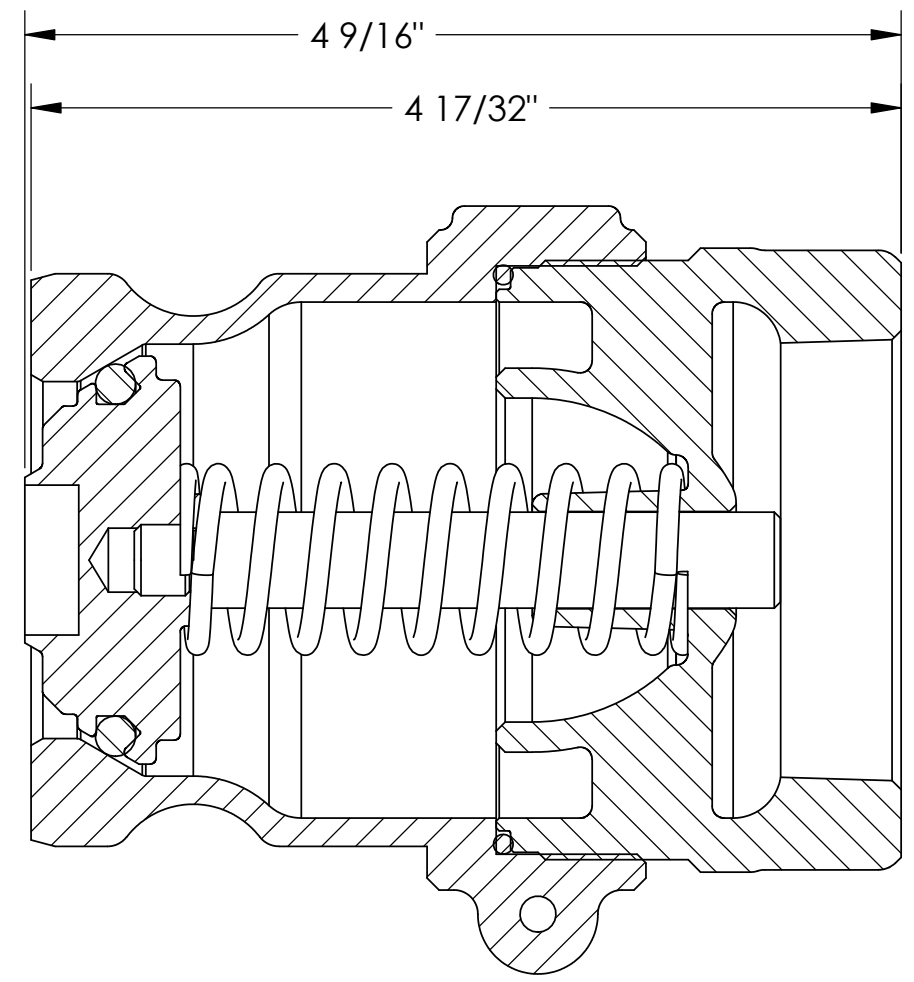
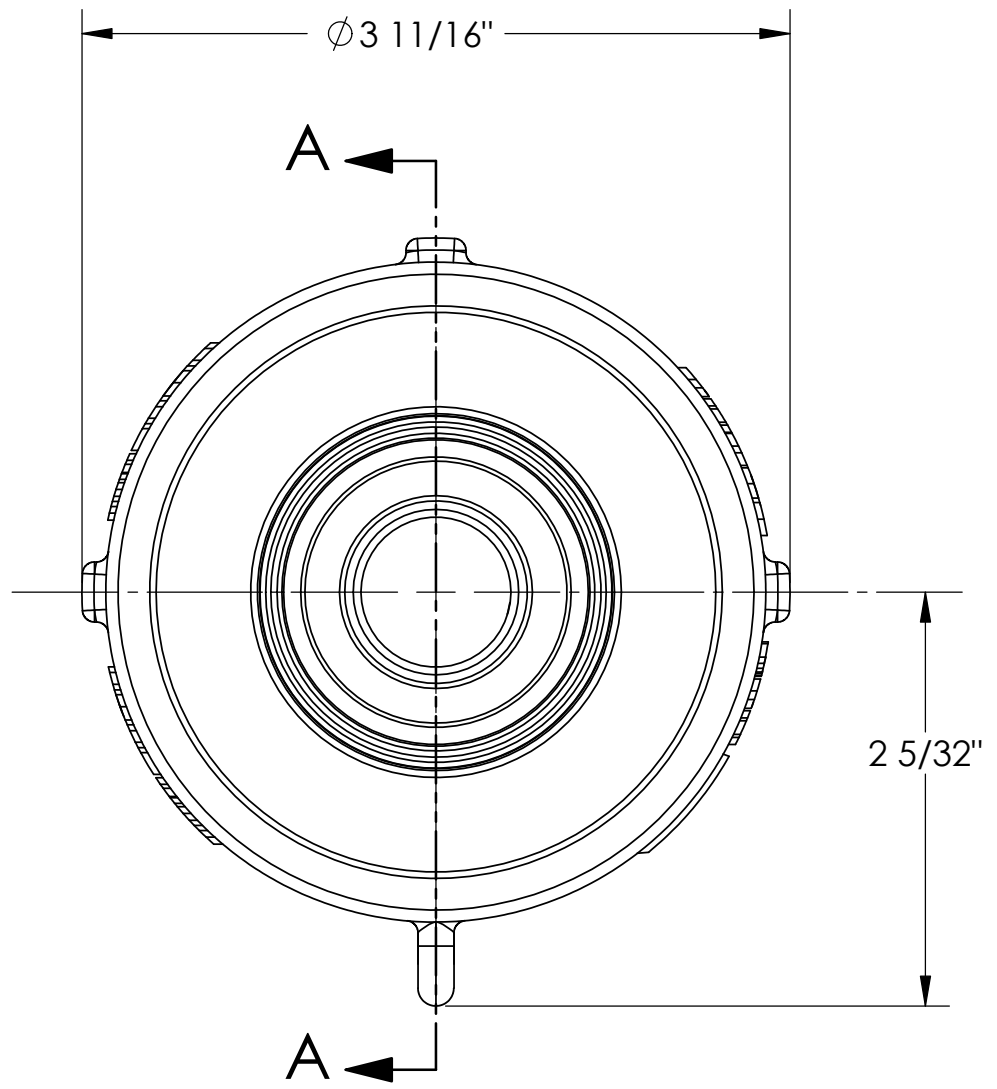


REVISIONS			
REV	DESCRIPTION	DATE	APPROVED



SECTION A-A

Dixon Bayco USA Cincinnati, Ohio, U.S.A A DVCC Inc. Company		TITLE	
		DBA 2" SERIES DIMENSIONS	
<small>THIS DRAWING IS CONFIDENTIAL PROPERTY OF DIXON BAYCO USA, A DIVISION OF DVCC AND IS SUBJECT TO RETURN ON DEMAND. © COPYRIGHT 2000 DO NOT COPY.</small>		SIZE	REV
<small>DIM. TOLERANCES UNLESS SPECIFIED INCHES .X +/- .050 MACHINE FRACTION +/- 1/64 .XX +/- .010 ROUGH CASTING +/- 1/32 .XXX +/- .005 SURF. FINISH 125 AA MAX ANGLES ±1/2°</small>		B FAHL	DWG NO. DBA-SERIES-200-CST
SCALE FULL		DATE 12JAN2006	SHEET 1 OF 1