

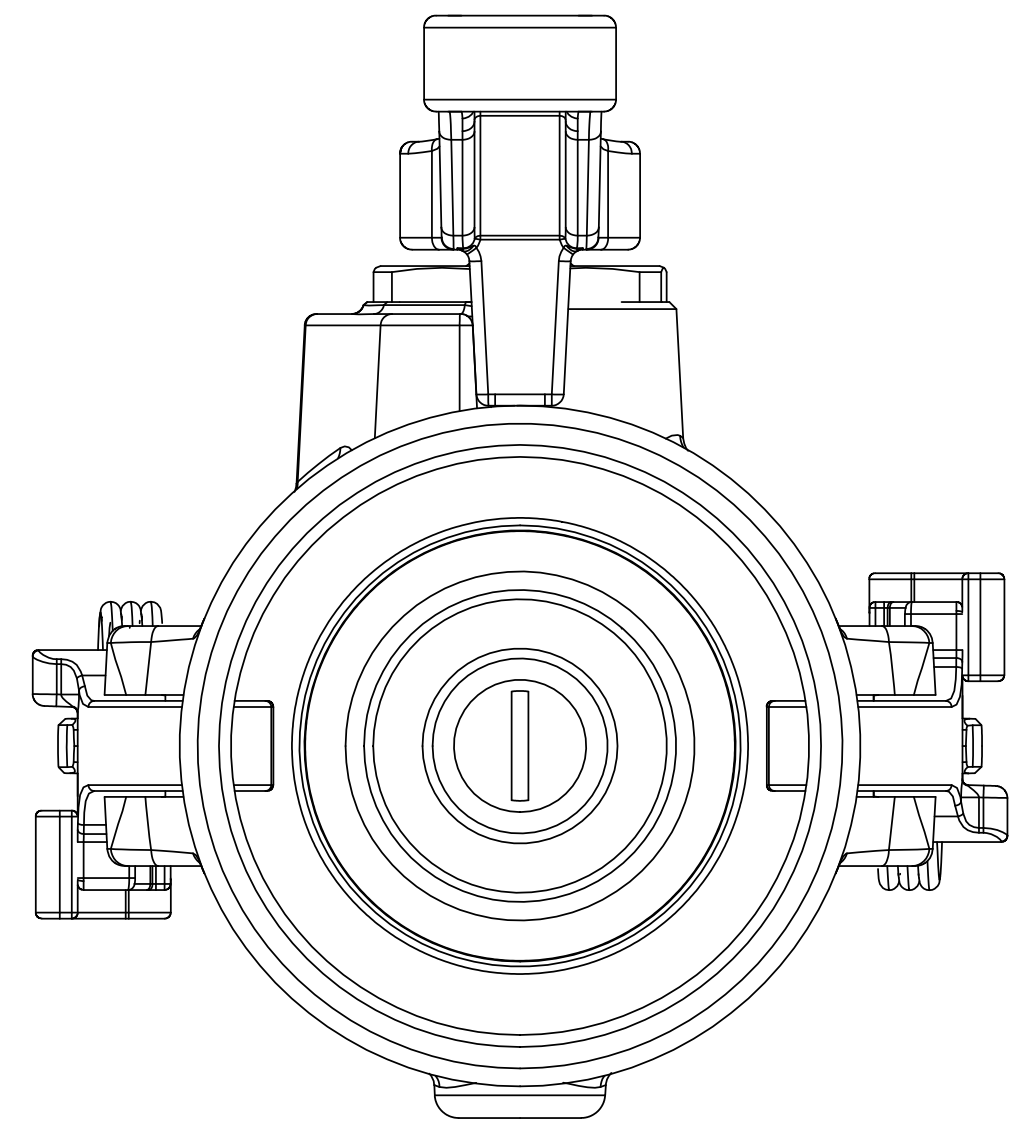
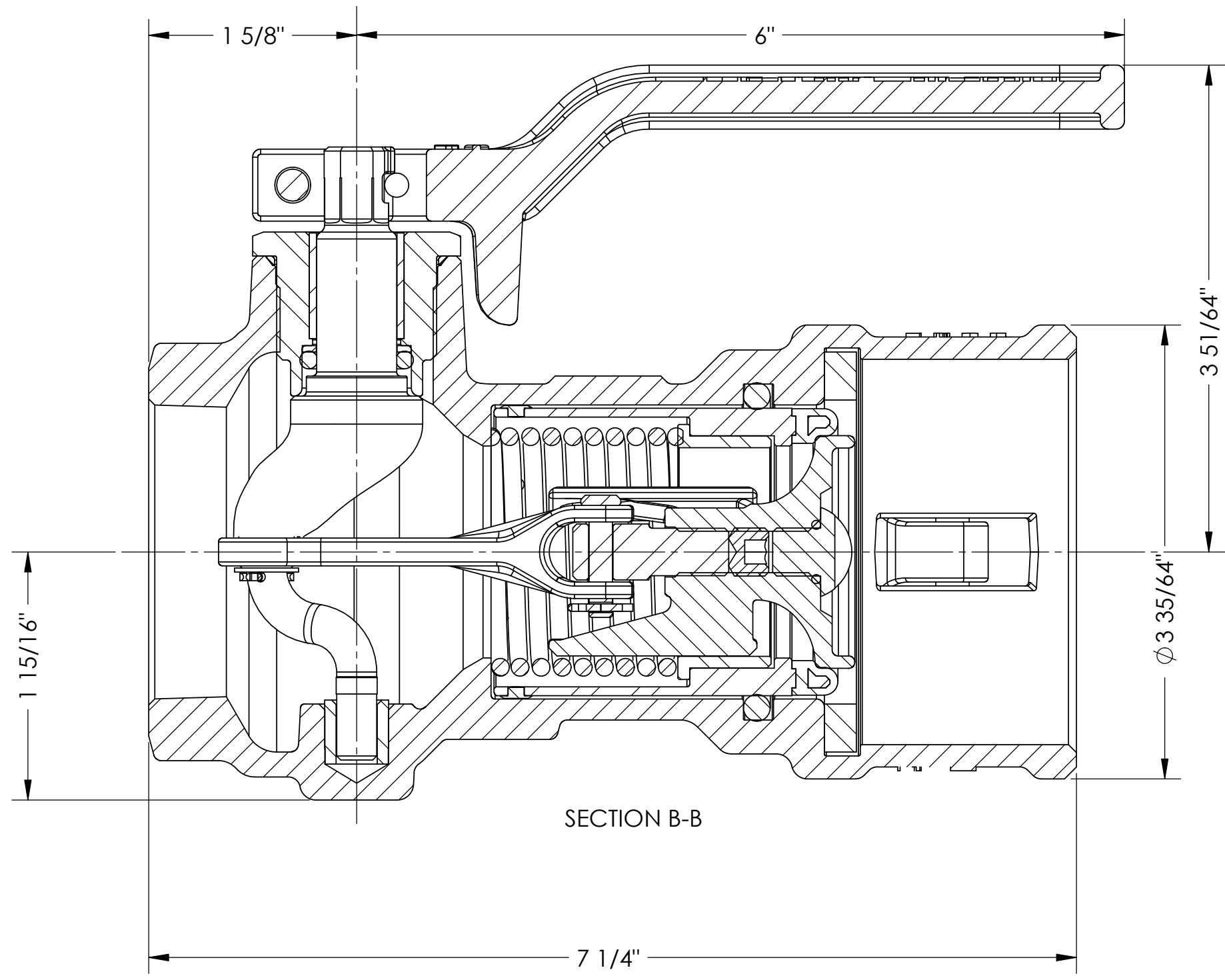
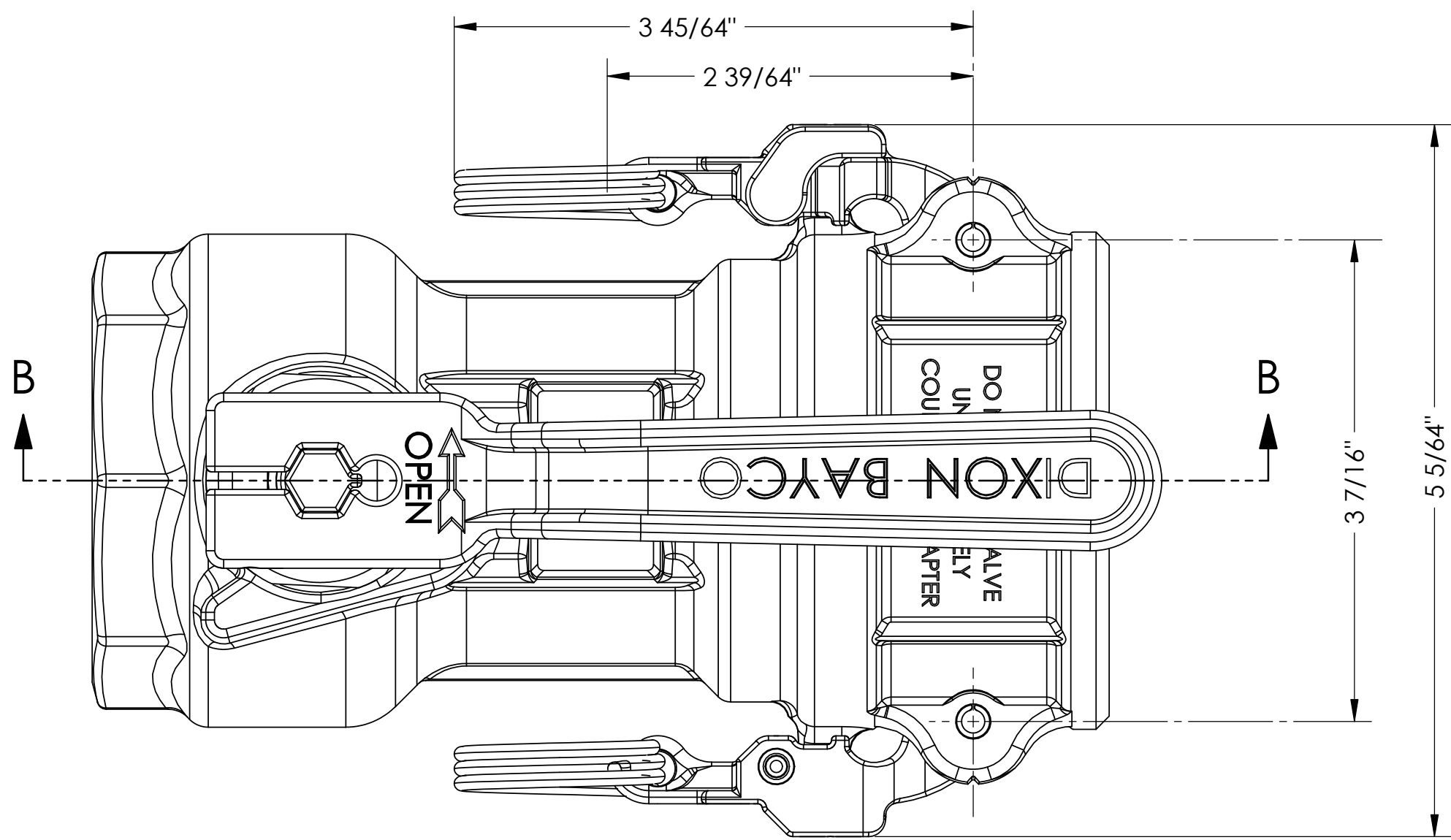
4

3

2

1

REVISIONS			
REV	DESCRIPTION	DATE	APPROVED



<b>Dixon Bayco USA</b>		TITLE	
Cincinnati, Ohio, U.S.A. A DVCC Inc. Company		<b>DBC 2" SERIES DIMENSIONS</b>	
<small>THIS DRAWING IS CONFIDENTIAL PROPERTY OF DIXON BAYCO USA, A DIVISION OF DVCC AND IS SUBJECT TO RETURN ON DEMAND. © COPYRIGHT 2000 DO NOT COPY.</small>			
SIZE	DRAWN BY	DWG NO.	REV
<b>C</b>	<b>FAHL</b>	<b>DBC-SERIES-200-CST</b>	
SCALE FULL	DATE 12JAN2006	SHEET 1 OF 1	

DIM. TOLERANCES UNLESS SPECIFIED  
INCHES .X +/- .050 MACHINE FRACTION +/- 1/64  
.XX +/- .010 ROUGH CASTING +/- 1/32  
.XXX +/- .005 SURF. FINISH 125 AA MAX ANGLES ±1/2°

4

3

2

1