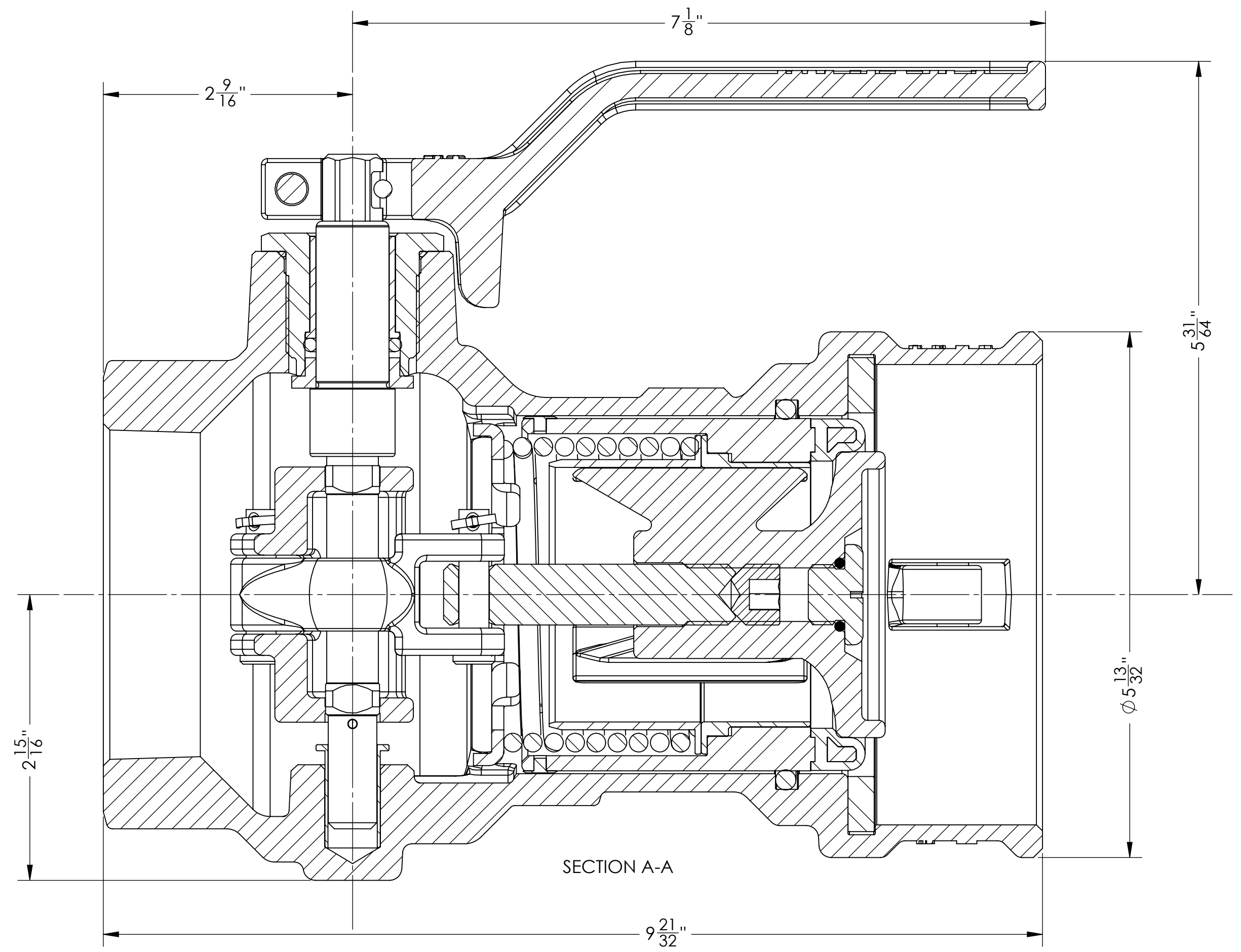
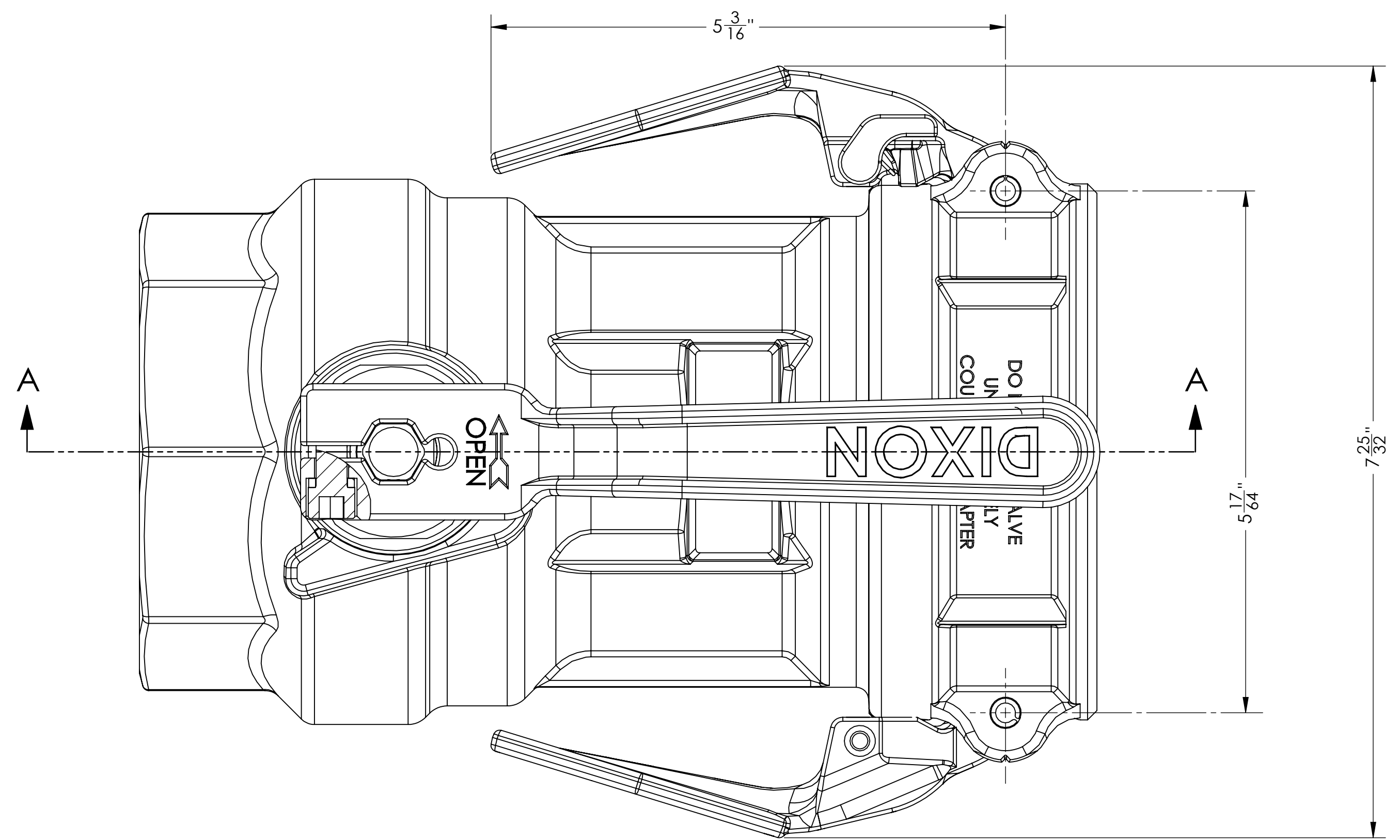
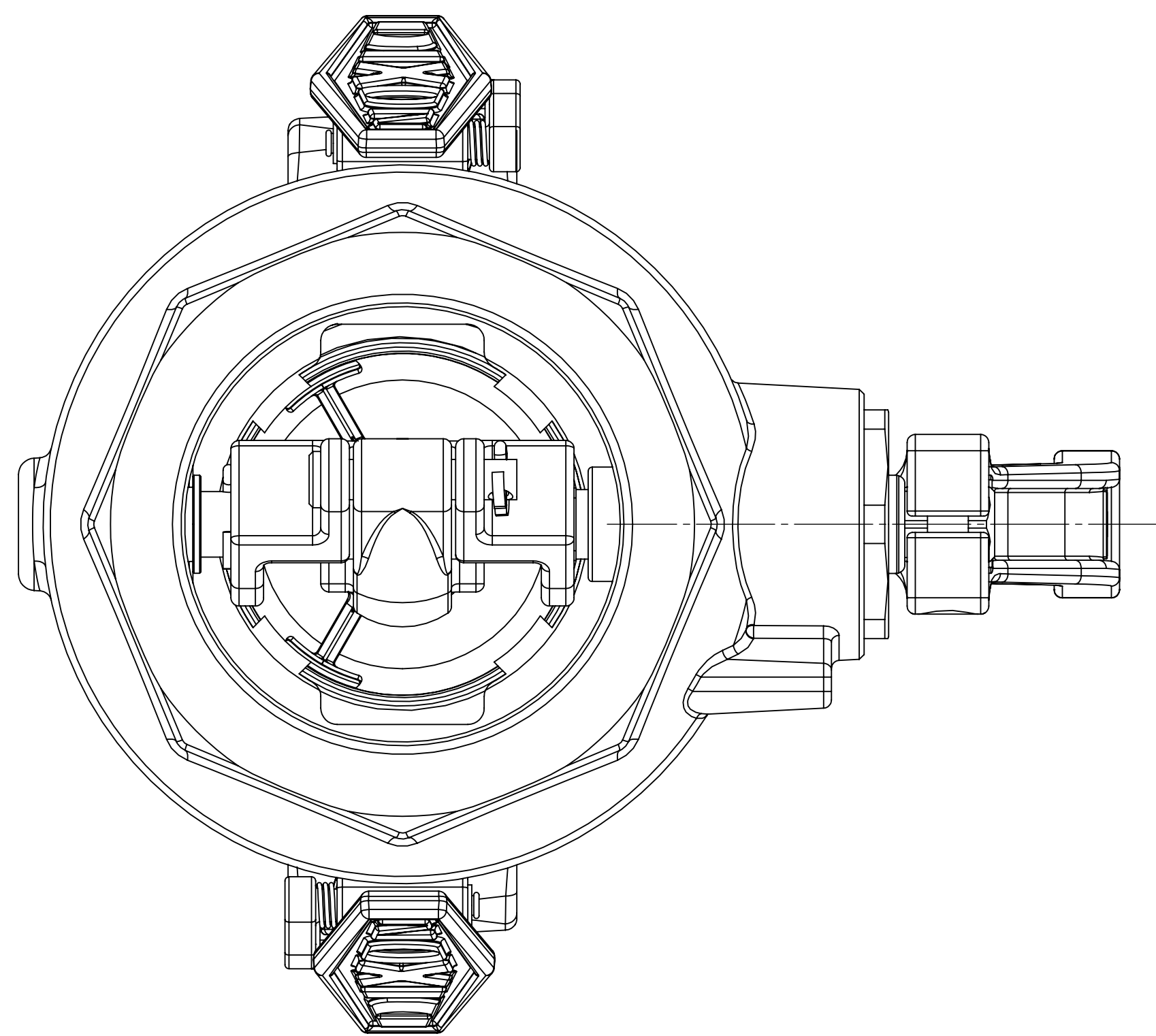


REVISIONS			
REV	DESCRIPTION	DATE	APPROVED



Dixon Bayco USA Cincinnati, Ohio, U.S.A. A DWCC Inc. Company <small>THIS DRAWING IS CONFIDENTIAL PROPERTY OF DIXON BAYCO USA, A DIVISION OF DWCC AND IS SUBJECT TO RETURN ON DEMAND. © COPYRIGHT 2006 DO NOT COPY. DIM. TOLERANCES UNLESS SPECIFIED INCHES: .XX +/- .000 MACHINING FRACTION +/- .002 .XXX +/- .005 SURF FINISH: 125 AA MAX ANGLES: 112</small>	TITLE DBC 3" SERIES DIMENSIONS		
	SIZE D	DRAWN BY FAHL	DWCC NO. DBC-SERIES-300-CST
SCALE FULL	DATE 11JUL2007	SHEET 1 OF 1	