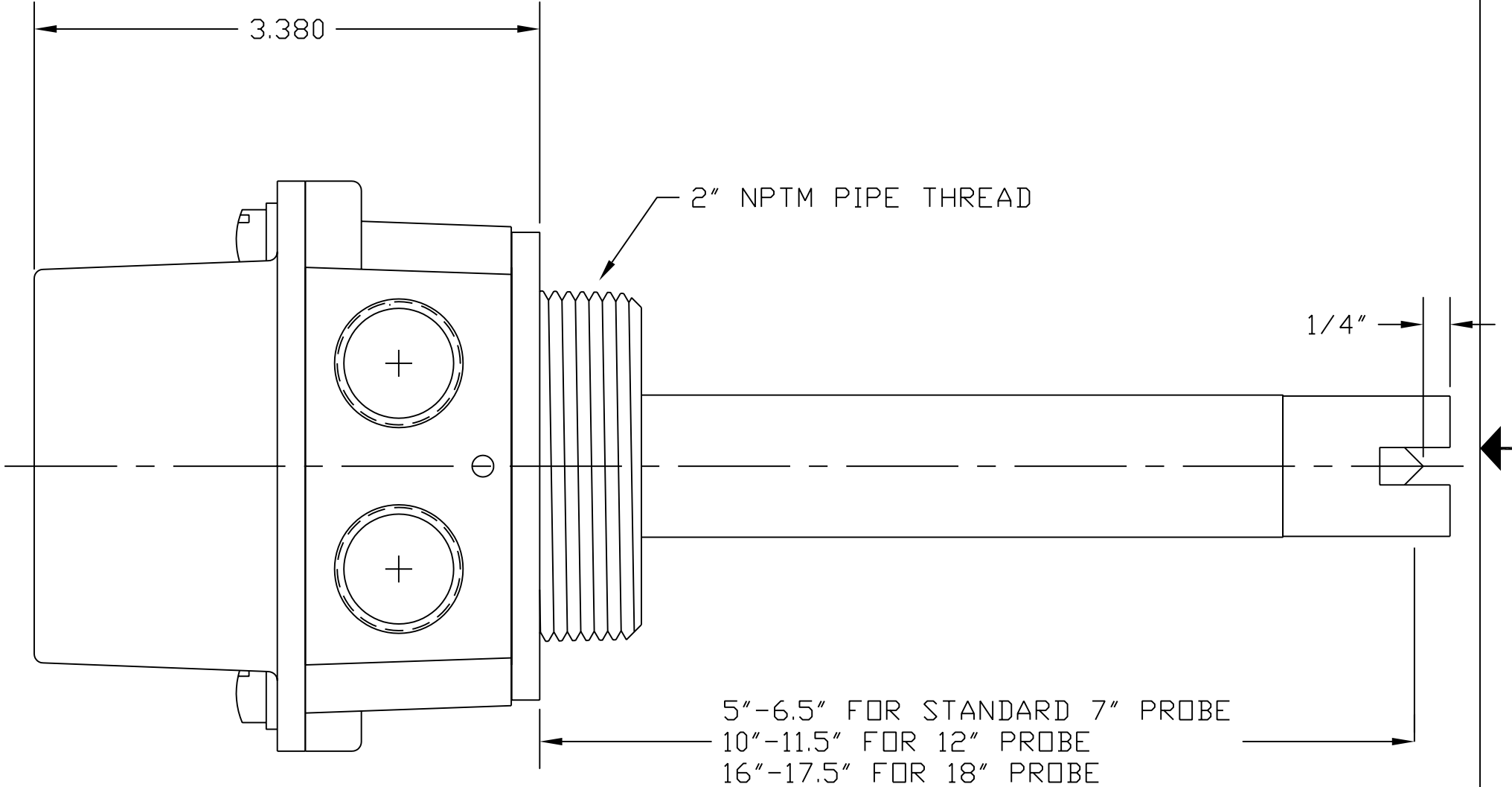
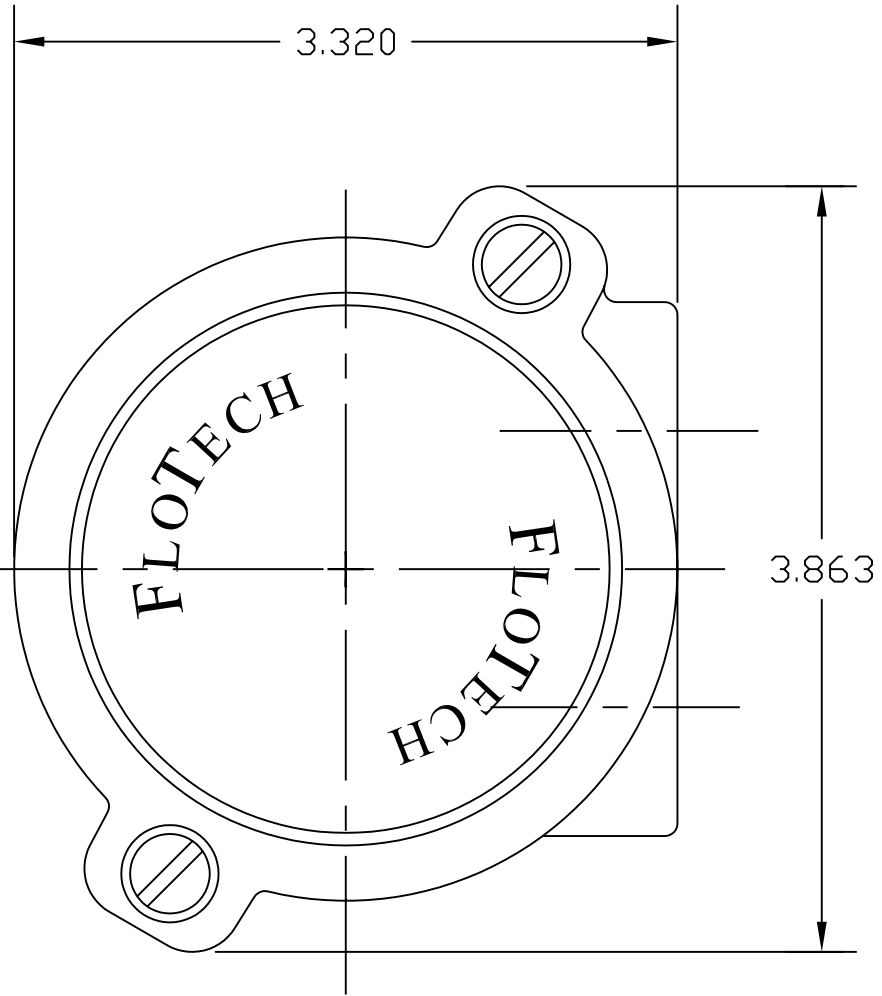


REVISIONS			
REV	DESCRIPTION	DATE	APPROVED



Dixon Bayco USA

Cincinnati, Ohio, U.S.A.
A DVCC Inc. Company

THIS DRAWING IS CONFIDENTIAL PROPERTY OF DIXON BAYCO USA, A DIVISION OF DVCC AND IS SUBJECT TO RETURN ON DEMAND.
© COPYRIGHT 2000 DO NOT COPY.

DIM. TOLERANCES UNLESS SPECIFIED.
INCHES .X +/- .050 MACHINE FRACTION +/- 1/64
.XX +/- .010 ROUGH CASTING +/- 1/32
.XXX +/- .005

TITLE
**FT101, 151, 202 SERIES
CUSTOMER DRAWING**

SIZE B	DRAWN BY FAHL	DWG NO. FT101, 151, 202 SERIES-CST	REV -
------------------	-------------------------	--	-----------------

SCALE NONE	DATE 10DEC2003	SHEET 1 OF 1
---------------	-------------------	-----------------