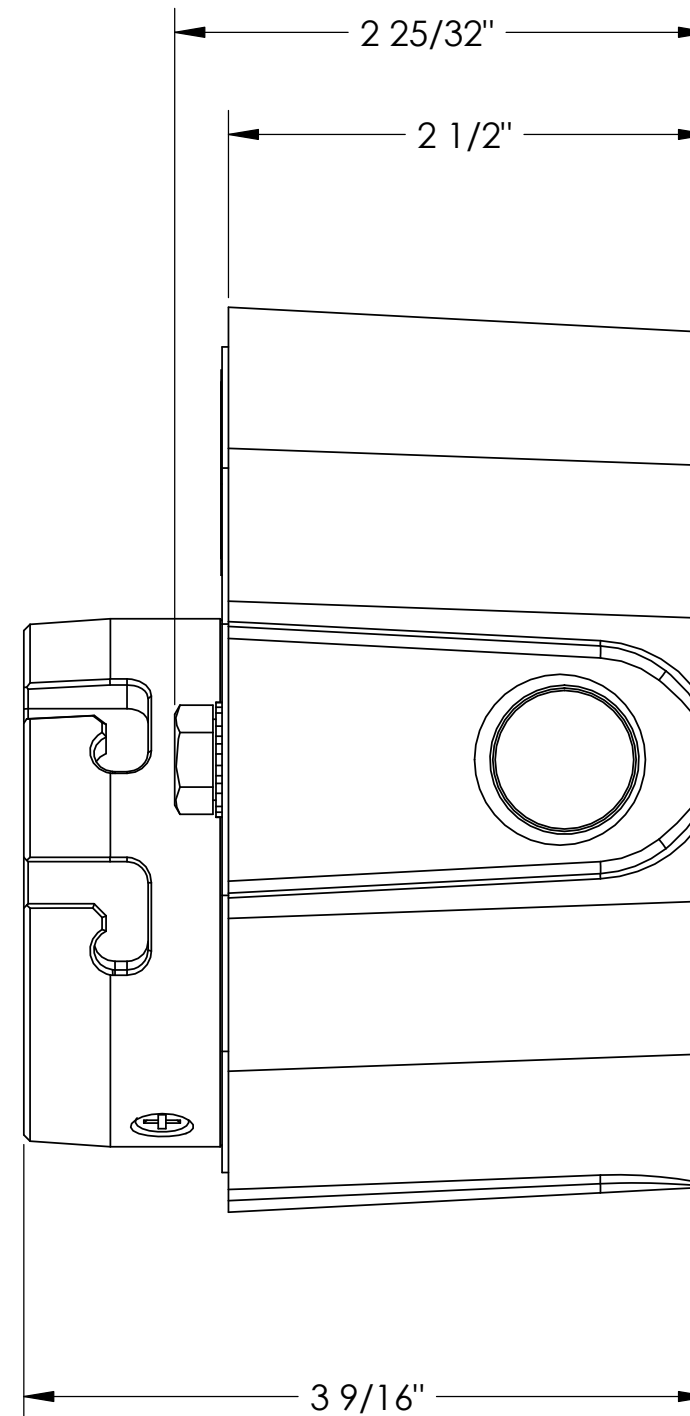
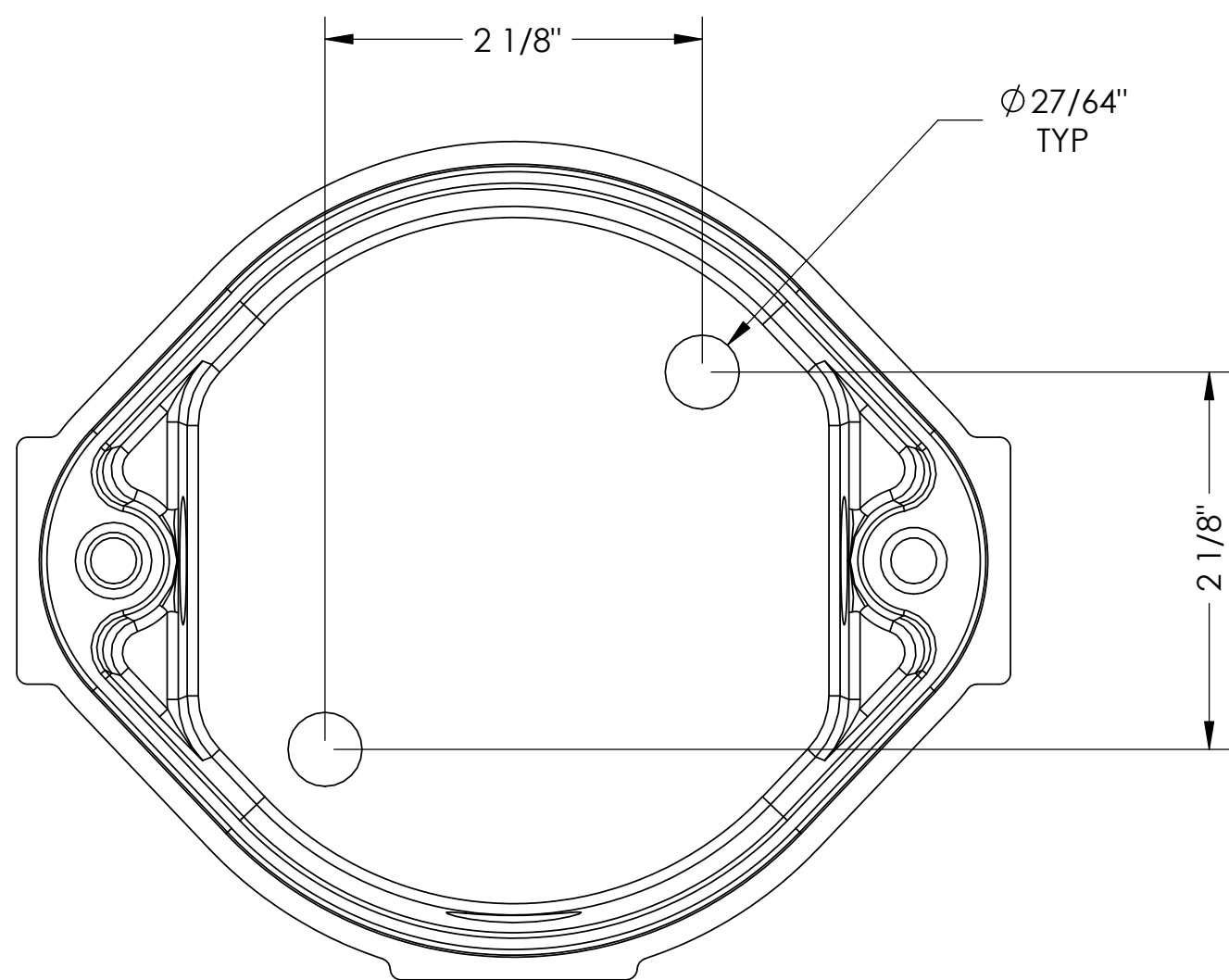
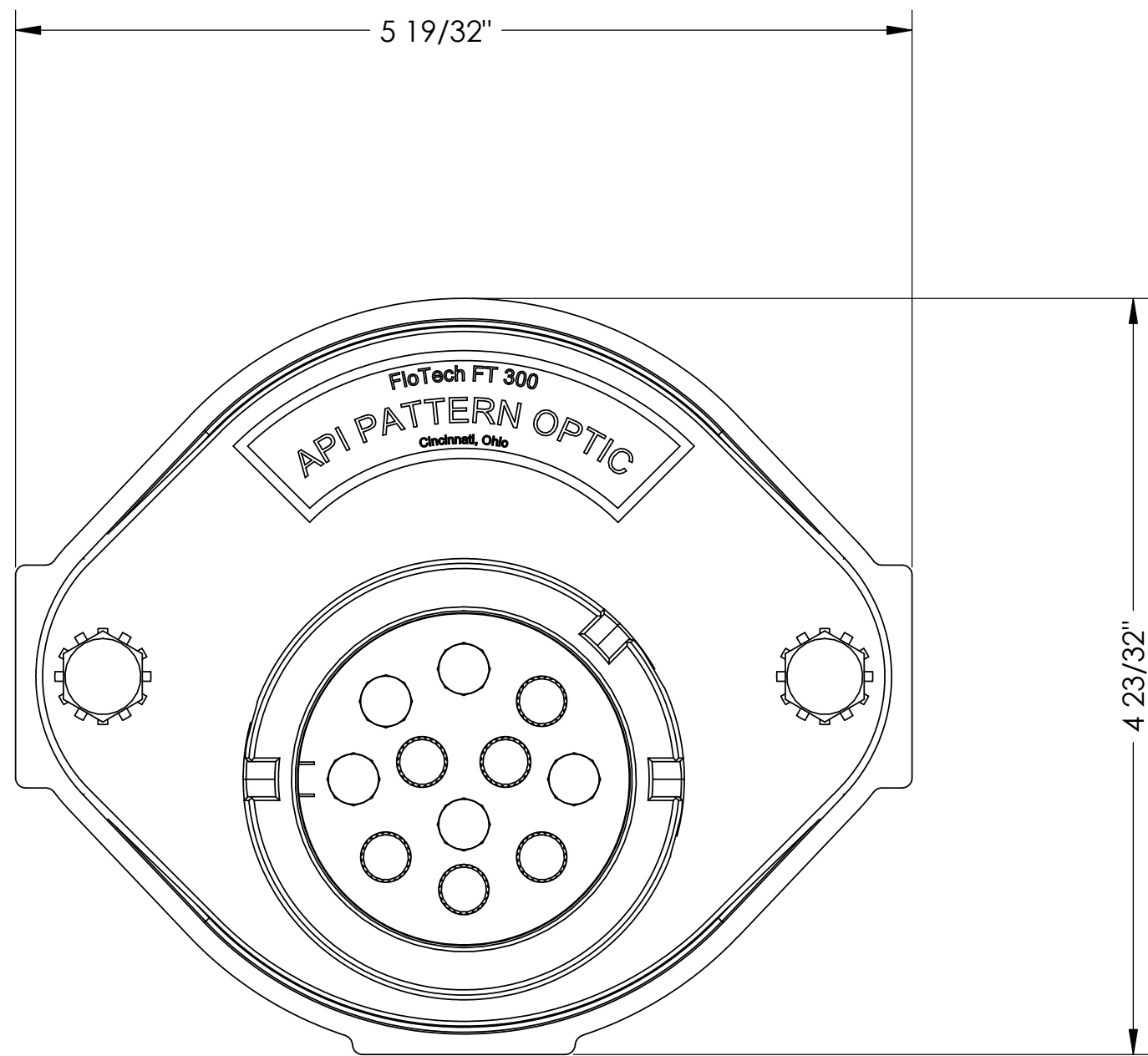


REVISIONS			
REV	DESCRIPTION	DATE	APPROVED



Dixon Bayco USA Cincinnati, Ohio, U.S.A A DVCC Inc. Company		TITLE FT300, FT300SS, FT623 CUSTOMER DRAWING	
THIS DRAWING IS CONFIDENTIAL PROPERTY OF DIXON BAYCO USA, A DIVISION OF DVCC AND IS SUBJECT TO RETURN ON DEMAND. © COPYRIGHT 2000 DO NOT COPY.		SIZE C	DRAWN BY FAHL
DIM. TOLERANCES UNLESS SPECIFIED INCHES .X +/- .050 MACHINE FRACTION +/- 1/64 .XX +/- .010 ROUGH CASTING +/- 1/32 .XXX +/- .005 SURF. FINISH 125 AA MAX ANGLES ±1/2°		DWG NO. FT300SS-CST	REV -
SCALE NONE		DATE 09DEC2003	SHEET 1 OF 1