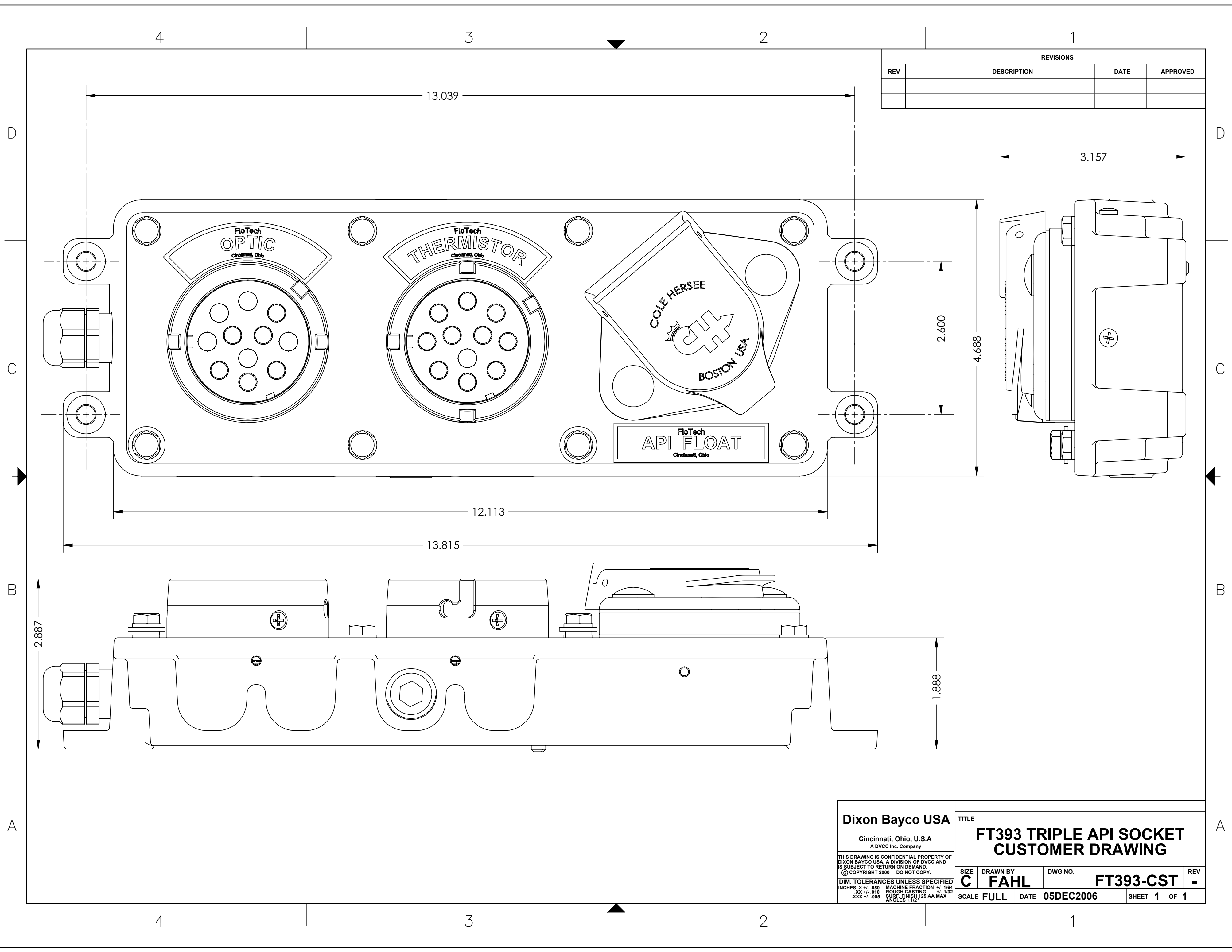


| REVISIONS | | | |
|-----------|-------------|------|----------|
| REV | DESCRIPTION | DATE | APPROVED |
| | | | |
| | | | |



| | | | |
|--|-------------------------|--|-----------------------------|
| Dixon Bayco USA Cincinnati, Ohio, U.S.A A DVCC Inc. Company | | TITLE FT393 TRIPLE API SOCKET CUSTOMER DRAWING | |
| THIS DRAWING IS CONFIDENTIAL PROPERTY OF DIXON BAYCO USA, A DIVISION OF DVCC AND IS SUBJECT TO RETURN ON DEMAND. © COPYRIGHT 2000 DO NOT COPY. | | | |
| SIZE C | DRAWN BY FAHL | DWG NO. FT393-CST | REV - |
| DIM. TOLERANCES UNLESS SPECIFIED INCHES .X +/- .050 MACHINE FRACTION +/- 1/64 .XX +/- .010 ROUGH CASTING +/- 1/32 .XXX +/- .005 SURF. FINISH 125 AA MAX ANGLES +/- 1/2 | | SCALE FULL | DATE 05DEC2006 SHEET 1 OF 1 |