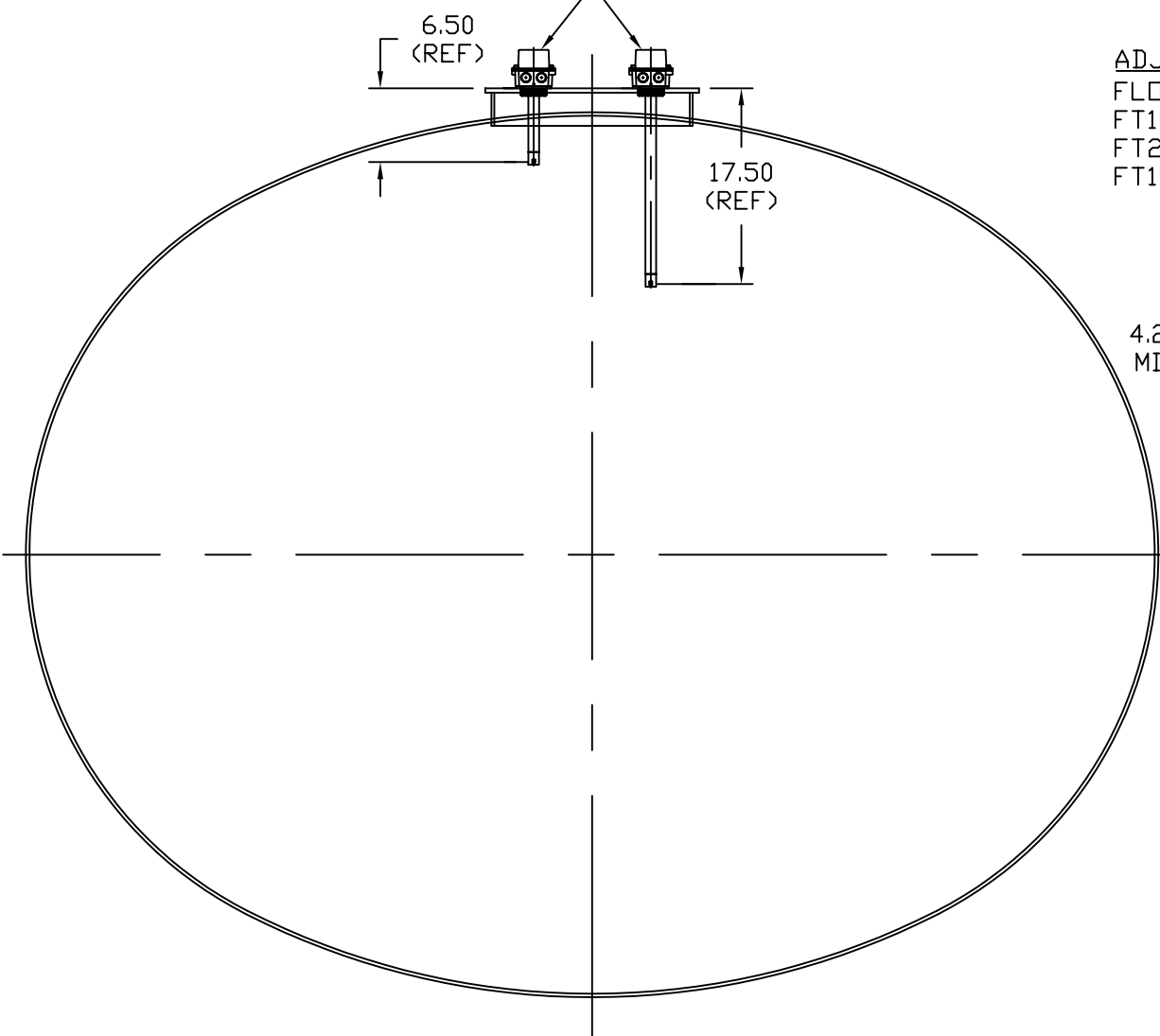
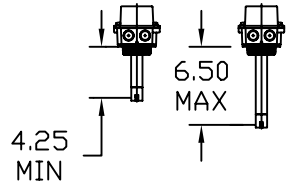


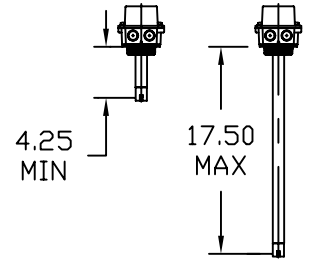
FLOTECH PROBES SET AT LOWEST POSITION (SHOWN)



ADJUSTMENT RANGE
 FLOTECH PROBE No's
 FT101
 FT202
 FT151



ADJUSTMENT RANGE
 FLOTECH PROBE No's
 FT101-18
 FT202-18
 FT151-18



NOTE:
 PROBE LENGTH DIMENSIONS ARE FROM
 BOTTOM OF GASKET TO THE SENSING POINT

Dixon Bayco USA
 Cincinnati, Ohio, U.S.A
 A DVCC Inc. Company

THIS DRAWING IS CONFIDENTIAL PROPERTY OF
 DIXON BAYCO USA, A DIVISION OF DVCC AND
 IS SUBJECT TO RETURN ON DEMAND.
 © COPYRIGHT 2000 DO NOT COPY.

DIM. TOLERANCES UNLESS SPECIFIED.
 INCHES .X +/- .050 MACHINE FRACTION +/- 1/64
 .XX +/- .010 ROUGH CASTING +/- 1/32
 .XXX +/- .005

TITLE
FLOTECH PROBE LIMITS

SIZE A	DRAWN BY FAHL	DWG NO. FT PROBE INSTALL-CST	REV -
SCALE 1=16	DATE 06JAN2006	SHEET 1 OF 1	