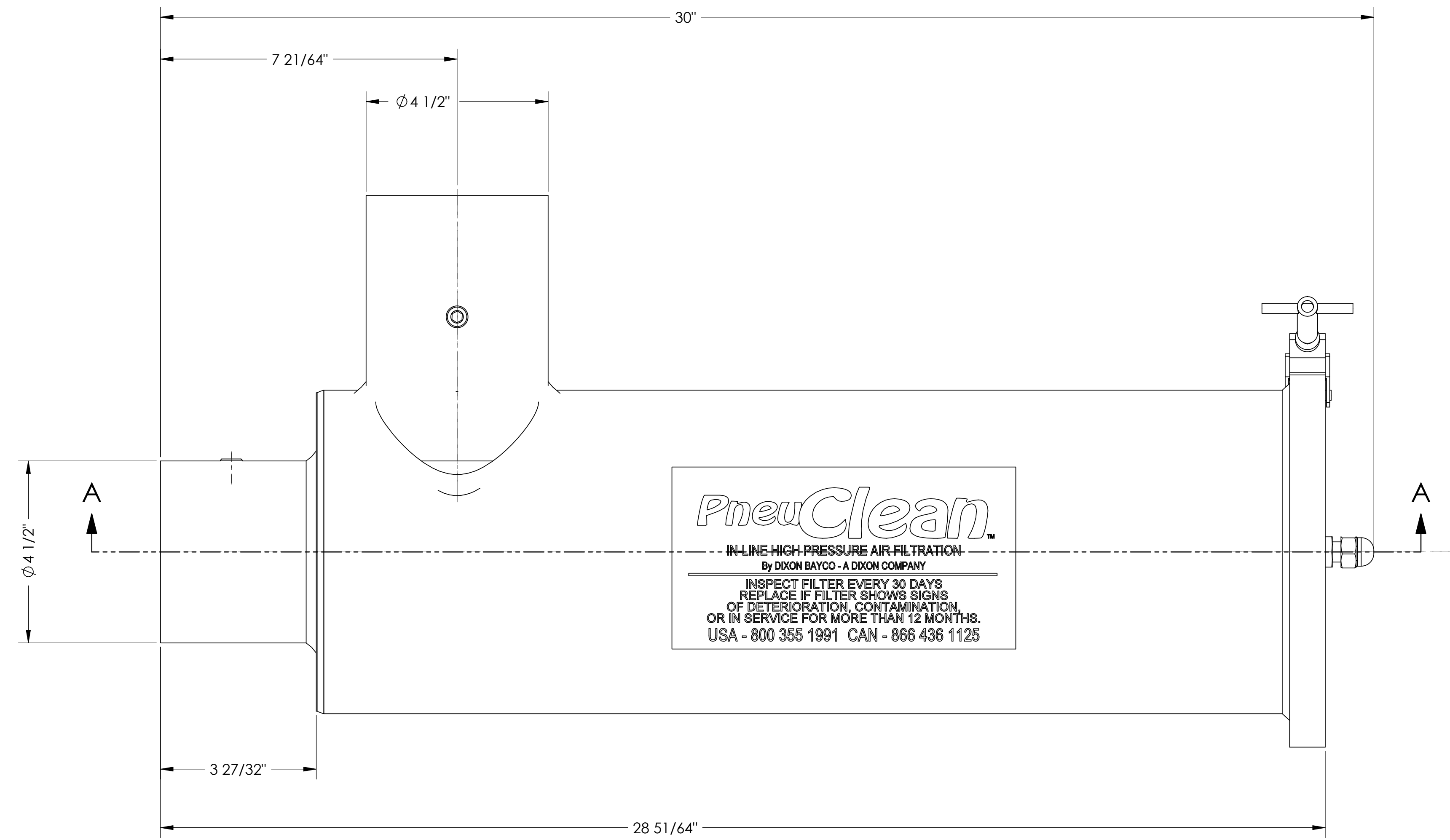
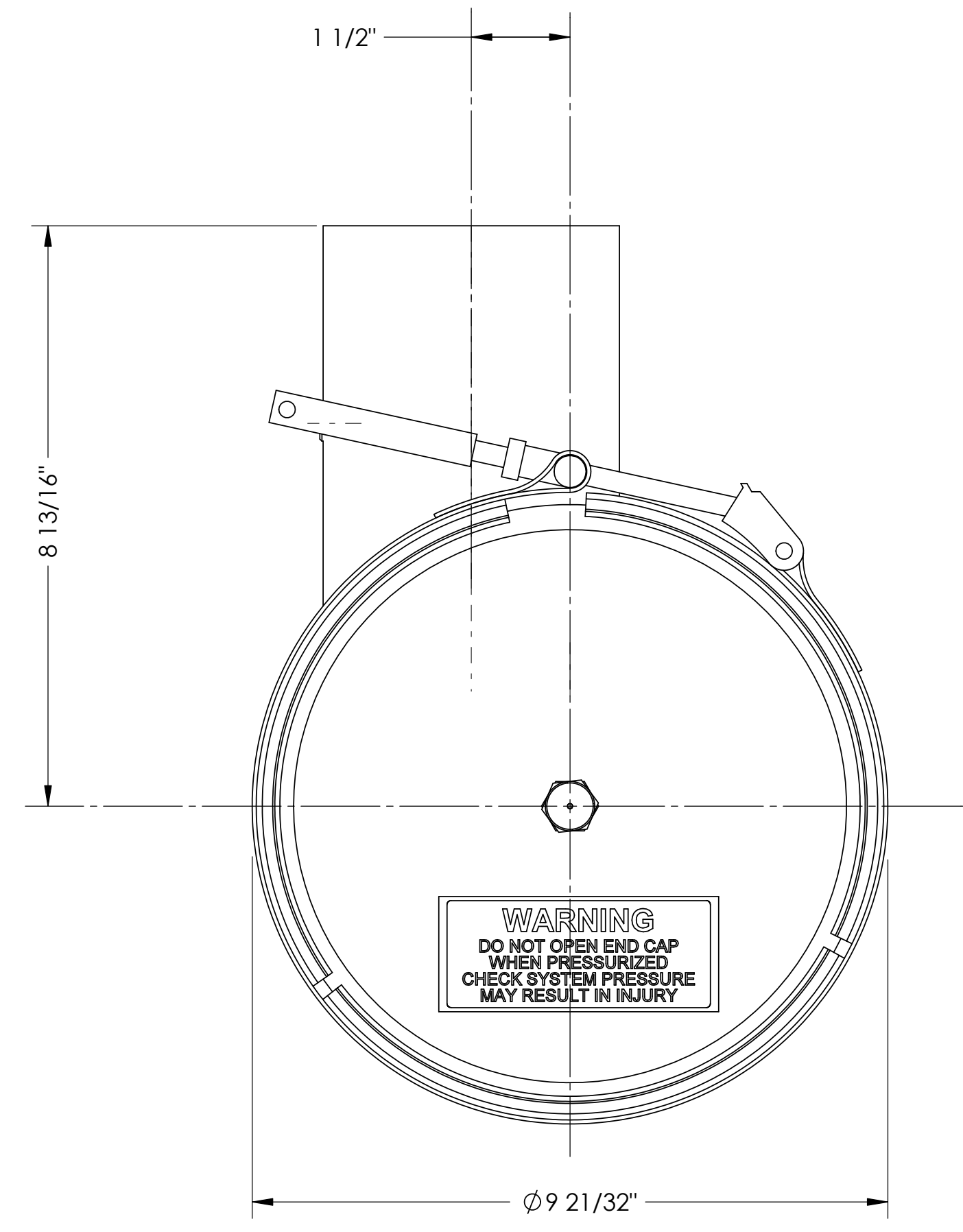


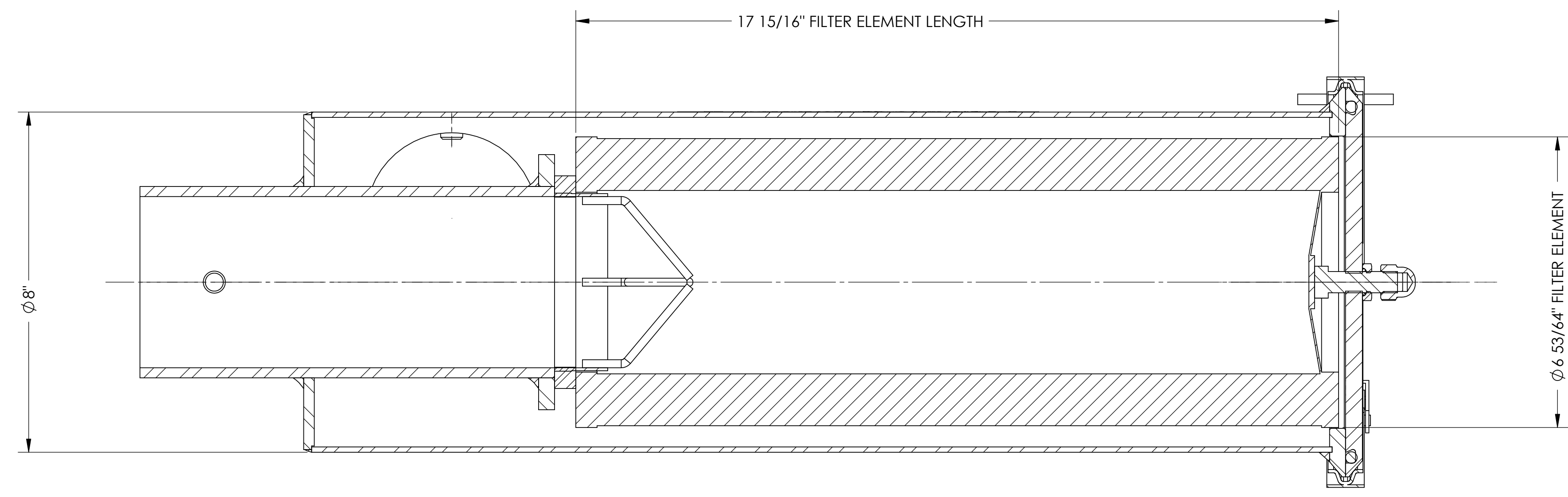
REVISIONS			
REV	DESCRIPTION	DATE	APPROVED



PneuClean™
 IN-LINE HIGH-PRESSURE AIR FILTRATION
 By DIXON BAYCO - A DIXON COMPANY
 INSPECT FILTER EVERY 30 DAYS
 REPLACE IF FILTER SHOWS SIGNS
 OF DETERIORATION, CONTAMINATION,
 OR IN SERVICE FOR MORE THAN 12 MONTHS.
 USA - 800 355 1991 CAN - 866 436 1125



WARNING
 DO NOT OPEN END CAP
 WHEN PRESSURIZED
 CHECK SYSTEM PRESSURE
 MAY RESULT IN INJURY



SECTION A-A
SCALE 1 : 2

Dixon Bayco USA Cincinnati, Ohio, U.S.A. <small>A DWCC Inc. Company</small> <small>THIS DRAWING IS CONFIDENTIAL PROPERTY OF DIXON BAYCO USA. A DIVISION OF DWCC AND IS SUBJECT TO RETURN ON DEMAND.</small> <small>© COPYRIGHT 2000 DO NOT COPY.</small> <small>DIM. TOLERANCES UNLESS SPECIFIED INCHES & .001 MACHINING FRACTION 0. - .004 .001 - .005 ROUGH CASTING .001 - .002 .002 - .005 SURF FINISH 125 AA MAX ANGLES 1:2</small>	TITLE PNEUCLEAN FILTER CUSTOMER DRAWING		REV -
	SIZE D	DRAWN BY FAHL	DWG NO. PC5000-CST
DATE 13JAN2004		SHEET 1 OF 1	