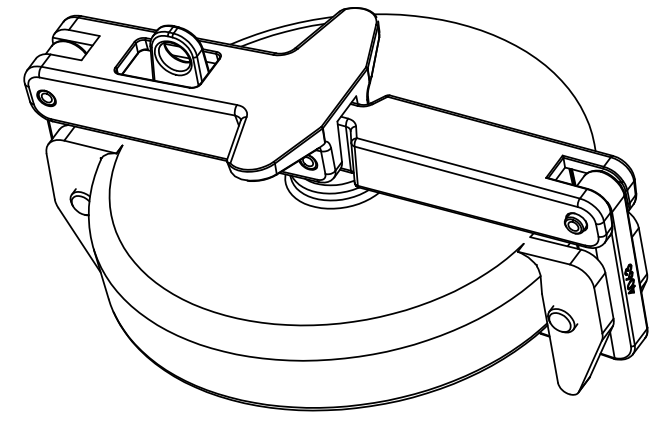
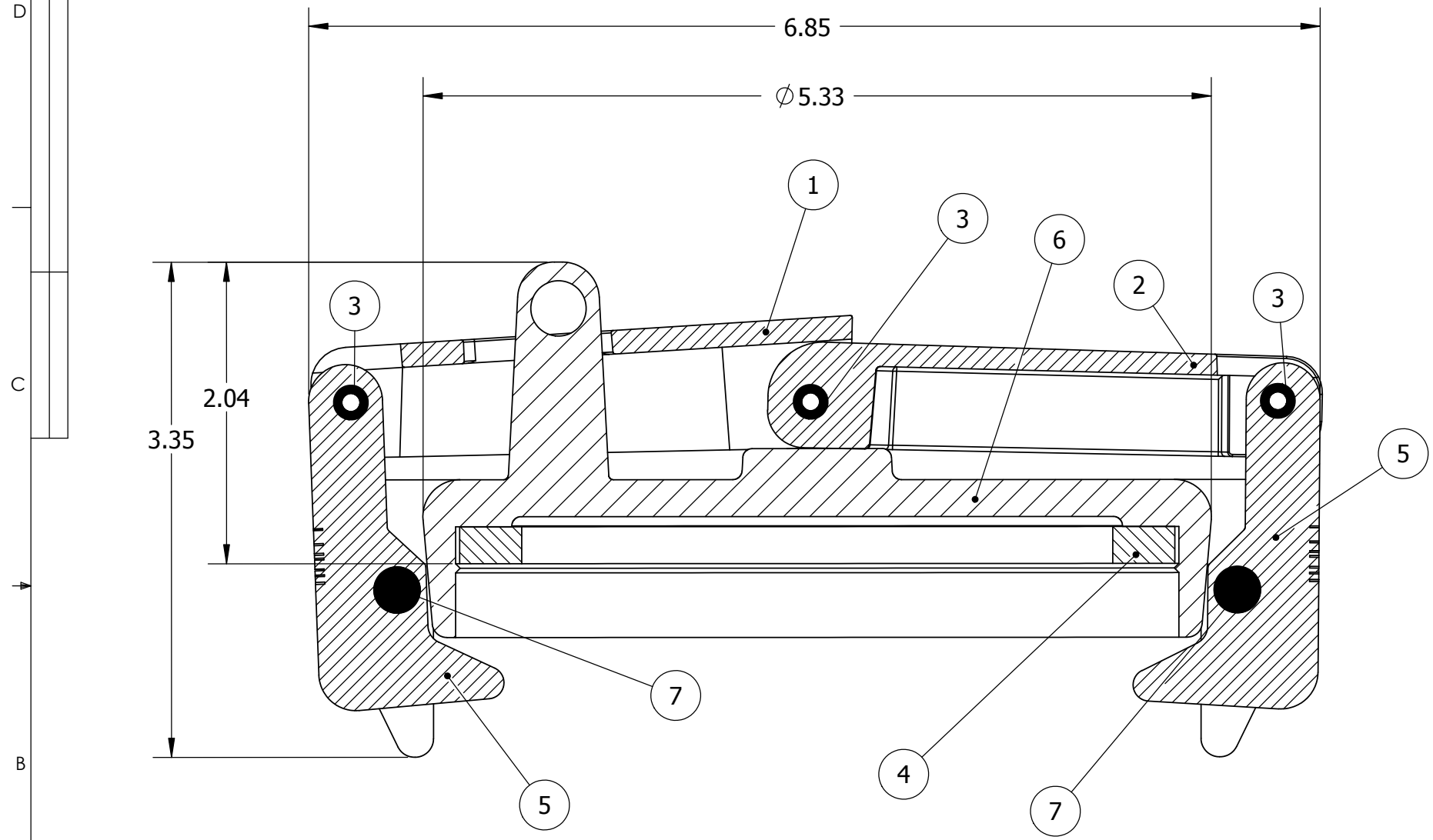


THE INFORMATION CONTAINED IN THIS DRAWING IS THE SOLE PROPERTY OF DIXON BAYCO LIMITED. ANY REPRODUCTION IN PART OR WHOLE WITHOUT THE WRITTEN PERMISSION OF DIXON BAYCO LIMITED IS PROHIBITED.

REVISION TABLE				
REV.	ECO	DESCRIPTION	DATE	APPROVED
**	**	**	**	**



ITEM NO.	MATERIAL	DESCRIPTION	QTY.
1	AL	LEVER LARGE	1
2	AL	LEVER SMALL	1
3	ST	PIN COIL	3
4	BUNA	4" GASKET	1
5	BRONZE	CAM	2
6	AL	4" TITE FILL CAP	1
7	ST	PIN COIL	2

		<b>DIXON BAYCO LIMITED</b> 2200 LOGAN AVE. WINNIPEG, MB. R2R 0J2 PHONE (204) 633-5650 FAX (204) 633-6119	
		TITLE <b>4" TIGHT FILL CAP</b>	
CAD GENERATED DRAWING; DO NOT MANUALLY UPDATE. DO NOT SCALE DRAWING		APPROVALS DRAWN BY <b>F. FIDELINO</b> AUG. 8/06 CHECKED <b>C. MARTENS</b> AUG. 8/06	
SIZE <b>B</b> DWG. NO. <b>SA4050AL</b>		REV. <b>0</b>	
ECO		SHEET 1 OF 1	