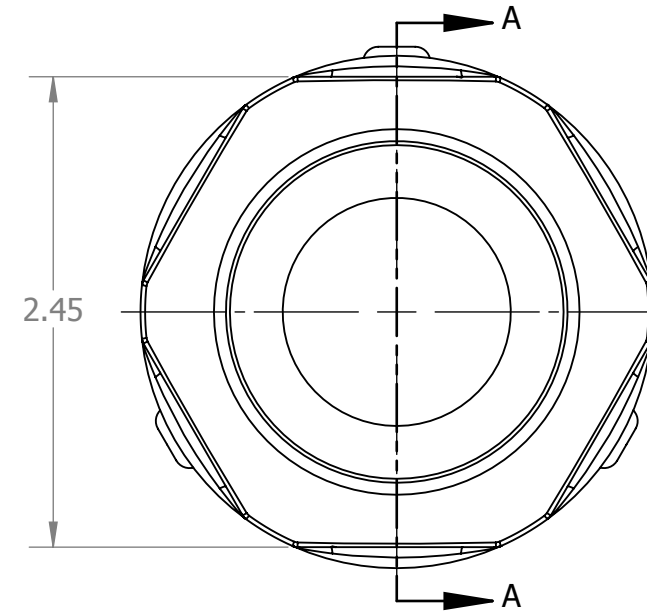
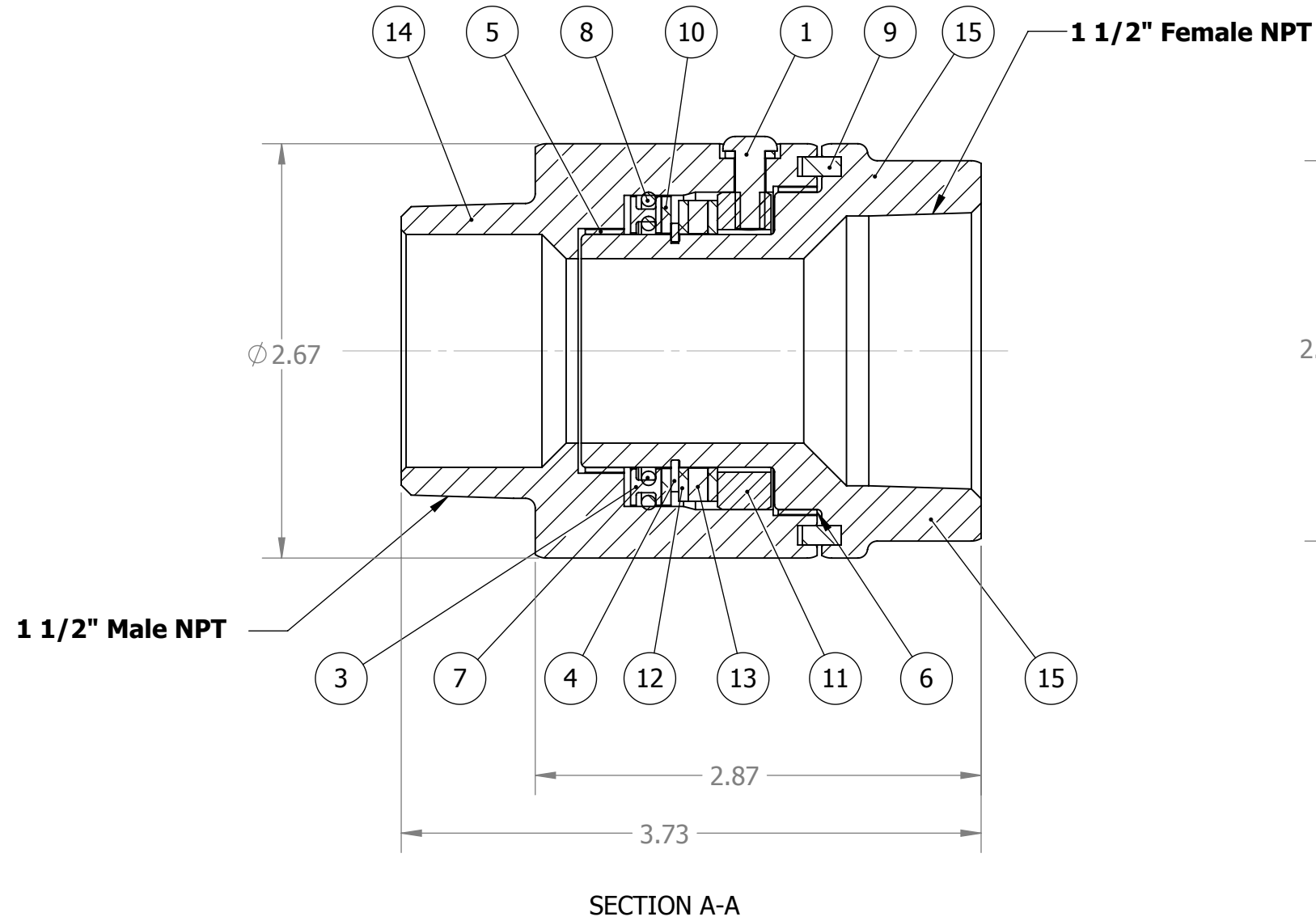
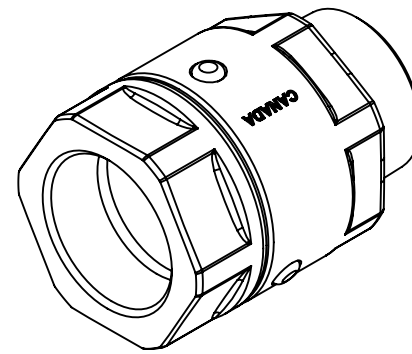


THE INFORMATION CONTAINED IN THIS DRAWING IS THE SOLE PROPERTY OF DIXON BAYCO LIMITED. ANY REPRODUCTION IN PART OR WHOLE WITHOUT THE WRITTEN PERMISSION OF DIXON BAYCO LIMITED IS PROHIBITED.

REVISION TABLE				
REV.	ECO	DESCRIPTION	DATE	APPROVED
1				



ITEM NO.	PART NUMBER	DESCRIPTION	QTY.
1	111704	Screw	3
2	111706	Lock Washer	3
3	111703	O-Ring Holder	1
4	111707	Retaining Ring	1
5	111711	Front Bearing	1
6	111710	Rear Bearing	1
7	111712	O-ring	1
8	111713	O-ring S70F133	1
9	111709	Felt Ring	1
10	111708	Support Washer	1
11	111705	Support Ring	1
12	111534	Thrust Washer	2
13	111779	THRUST BEARING, Chrome	1
14	341751	Female Body 1-1/2" NPT	1
15	341743	Male Body 1-1/2" NPT	1



DIMENSIONS ARE IN INCHES UNLESS OTHERWISE SPECIFIED TOLERANCES ARE: FRACTIONS DECIMALS ANGLES			<b>DIXON BAYCO LIMITED</b> 2200 LOGAN AVE. WINNIPEG, MB. R2R 0J2 PHONE (204) 633-5650 FAX (204) 633-6119	
	CAD GENERATED DRAWING; DO NOT MANUALLY UPDATE. DO NOT SCALE DRAWING		TITLE <b>SWMF150</b> Swivel Asm 1-1/2"NPT x 1-1/2" NPT	
MATERIAL	APPROVALS	DATE	SIZE	DWG. NO.
	DRAWN BY <i>F. Fiedler</i>	Jan 29/13	B	<b>452129-CD</b>
	CHECKED		ECO 1982	REV. 0
			SHEET 1 OF 1	