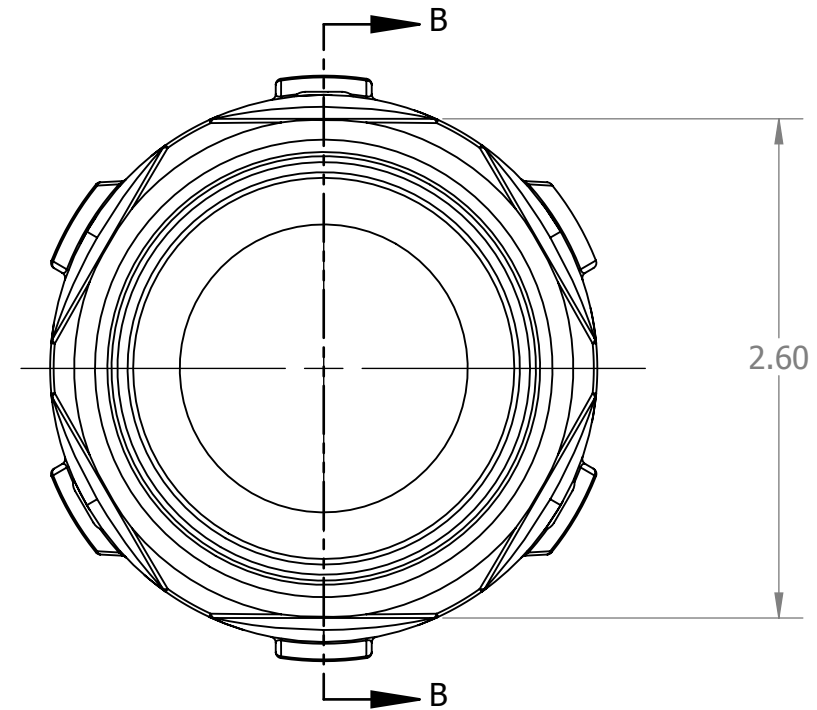
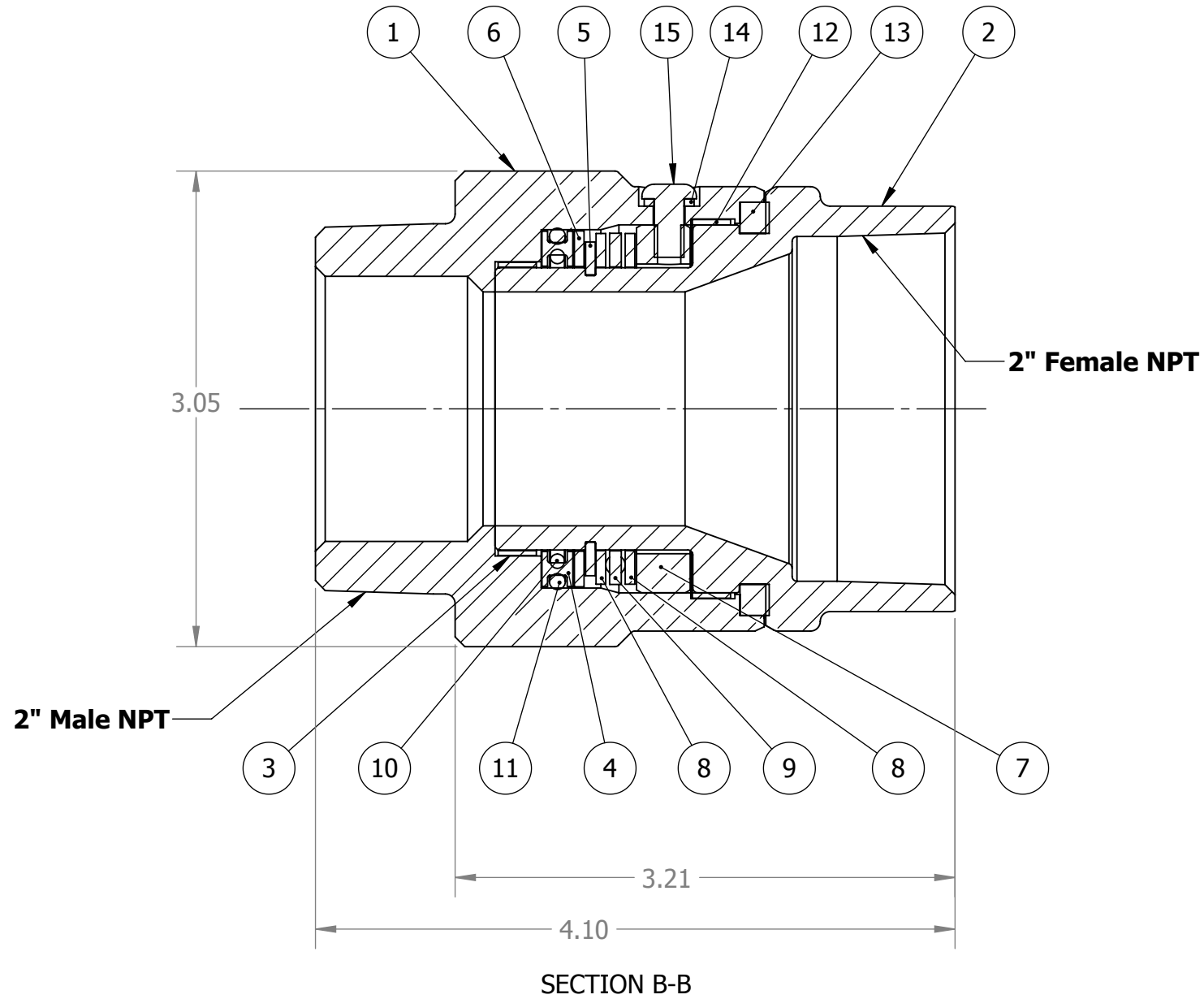
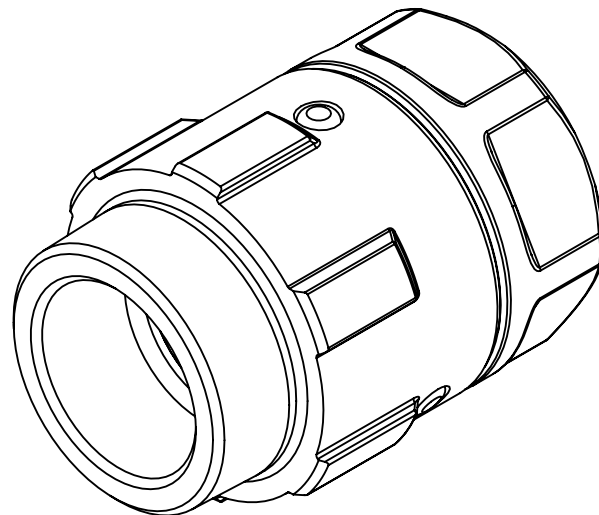


THE INFORMATION CONTAINED IN THIS DRAWING IS THE SOLE PROPERTY OF DIXON BAYCO LIMITED. ANY REPRODUCTION IN PART OR WHOLE WITHOUT THE WRITTEN PERMISSION OF DIXON BAYCO LIMITED IS PROHIBITED.

REVISION TABLE				
REV.	ECO	DESCRIPTION	DATE	APPROVED
0				



ITEM NO.	PART NUMBER	DESCRIPTION	QTY.
1	341774	Female Swivel Body 2" NPT	1
2	341776	Male Swivel Body 2"NPT	1
3	112082	Front Bearing Strip	1
4	112079	O-Ring Holder	1
5	112075	Retaining Ring	1
6	112084	Swivel Support Washer	1
7	112080	Swivel Support Ring	1
8	112074	Thrust Washer	2
9	112073	Thrust Bearing	1
10	111713	O-ring S70F133	1
11	112076	Swivel Large O-ring	1
12	112083	Swivel Rear Bearing	1
13	112077	Felt Ring	1
14	111706	Lock Washer	3
15	112081	Screw	3



NOTE:

DIMENSIONS ARE IN INCHES UNLESS OTHERWISE SPECIFIED

TOLERANCES ARE:

FRACTIONS DECIMALS ANGLES
 $\pm 1/16$.XX $\pm .03$ $\pm 1^\circ$
 .XXX $\pm .010$



CAD GENERATED DRAWING; DO NOT MANUALLY UPDATE.

DO NOT SCALE DRAWING

APPROVALS DATE

DRAWN BY *F. Fiddino* Jan 29/13

CHECKED

DIXON BAYCO LIMITED

2200 LOGAN AVE. WINNIPEG, MB. R2R 0J2
 PHONE (204) 633-5650 FAX (204) 633-6119

TITLE

SWMF200
 2" NPT Inlet X 2" NPT Outlet

SIZE DWG. NO. REV.

B 800054 - CD 0

ECO: 2248 SHEET 1 OF 1