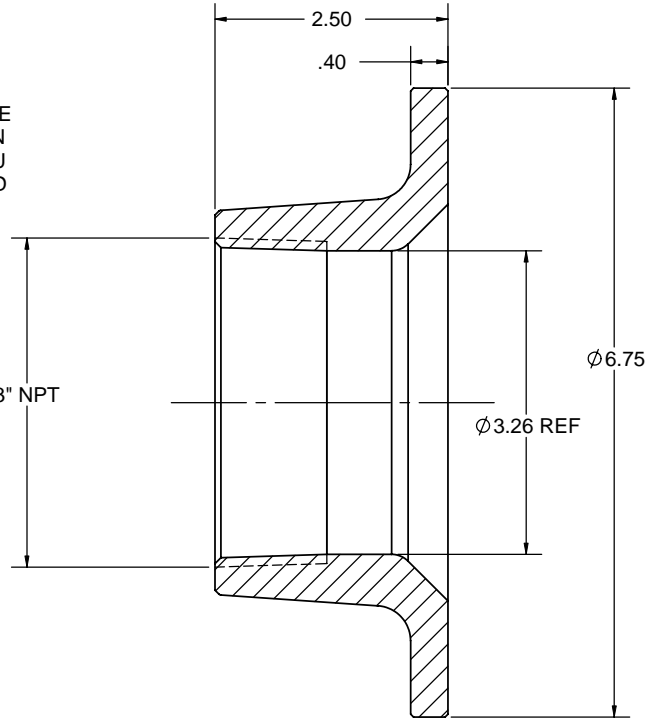
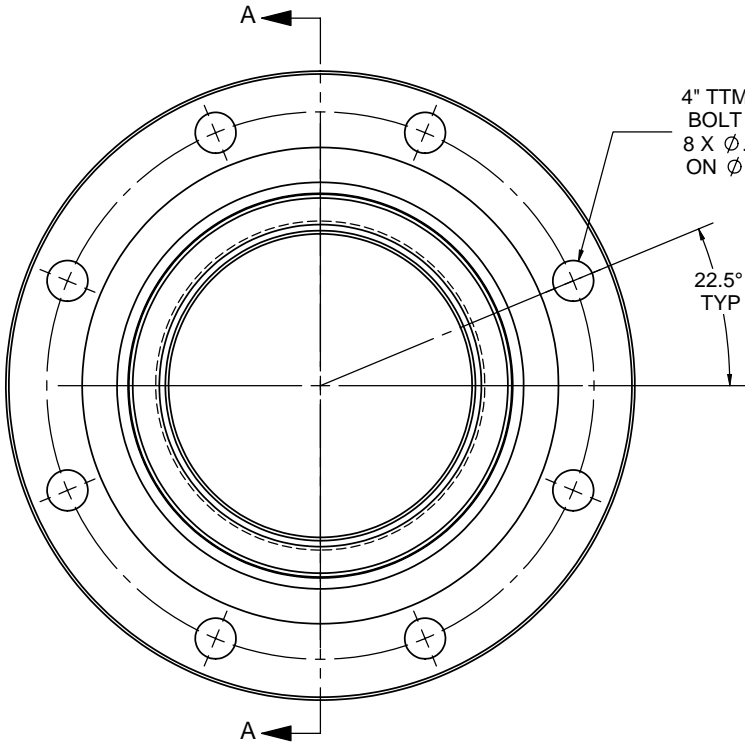
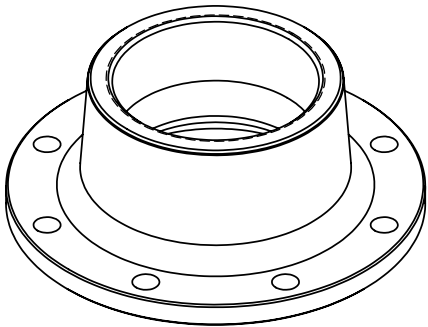


THE INFORMATION CONTAINED IN THIS DRAWING IS THE SOLE PROPERTY OF DIXON-BAYCO INC. ANY REPRODUCTION IN PART OR WHOLE WITHOUT THE WRITTEN PERMISSION OF DIXON BAYCO LIMITED IS PROHIBITED.

REVISION TABLE				
REV.	ECO	DESCRIPTION	DATE	APPROVED
..	---	---	---	---



SECTION A-A
SCALE 0.75 : 1



DIMENSIONS ARE IN INCHES UNLESS OTHERWISE SPECIFIED
TOLERANCES ARE:
FRACTIONS DECIMALS ANGLES



DIXON BAYCO LIMITED
2200 LOGAN AVE. WINNIPEG, MB. R2R 0J2
PHONE (204) 633-5650 FAX (204) 633-6119

CAD GENERATED DRAWING. DO NOT MANUALLY UPDATE.	
MATERIAL	Al 356.1
FINISH	--
APPROVALS	DATE
DRAWN BY <i>F.F.</i>	Jun 11/08
CHECKED BY <i>H.R.</i>	Jun 11/08

TITLE
TTMA FLANGE FEMALE
3" NPT x 4" TTMA

SIZE DWG. NO. **TT4AL-3FT** REV. **0**
CUSTOMER DRAWING