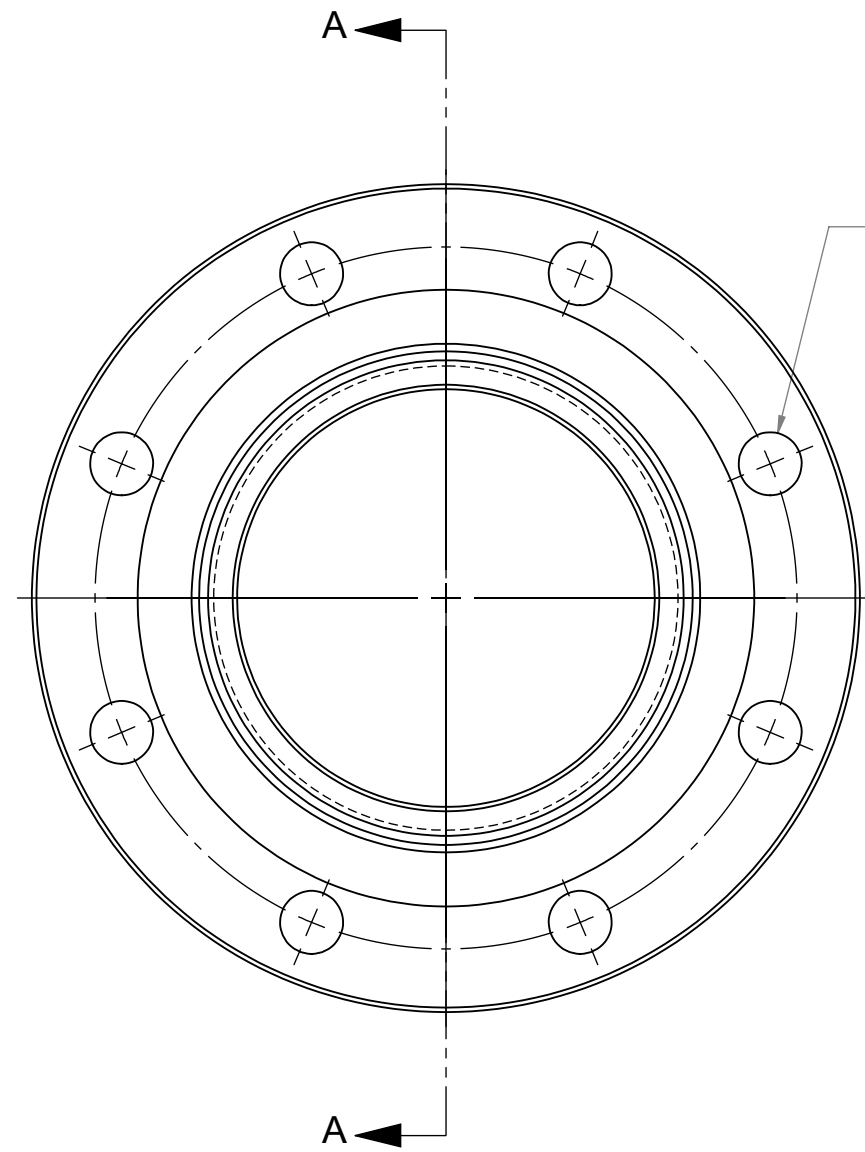
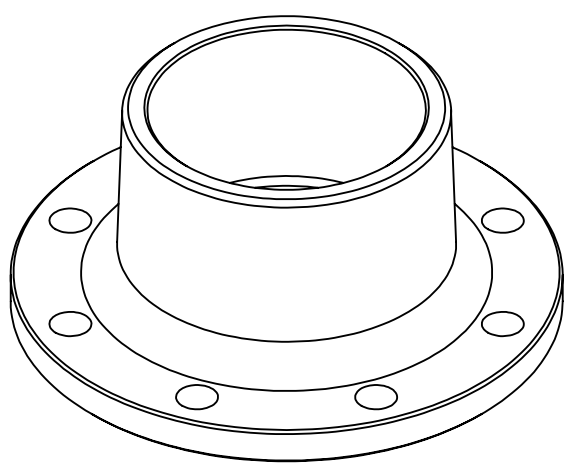
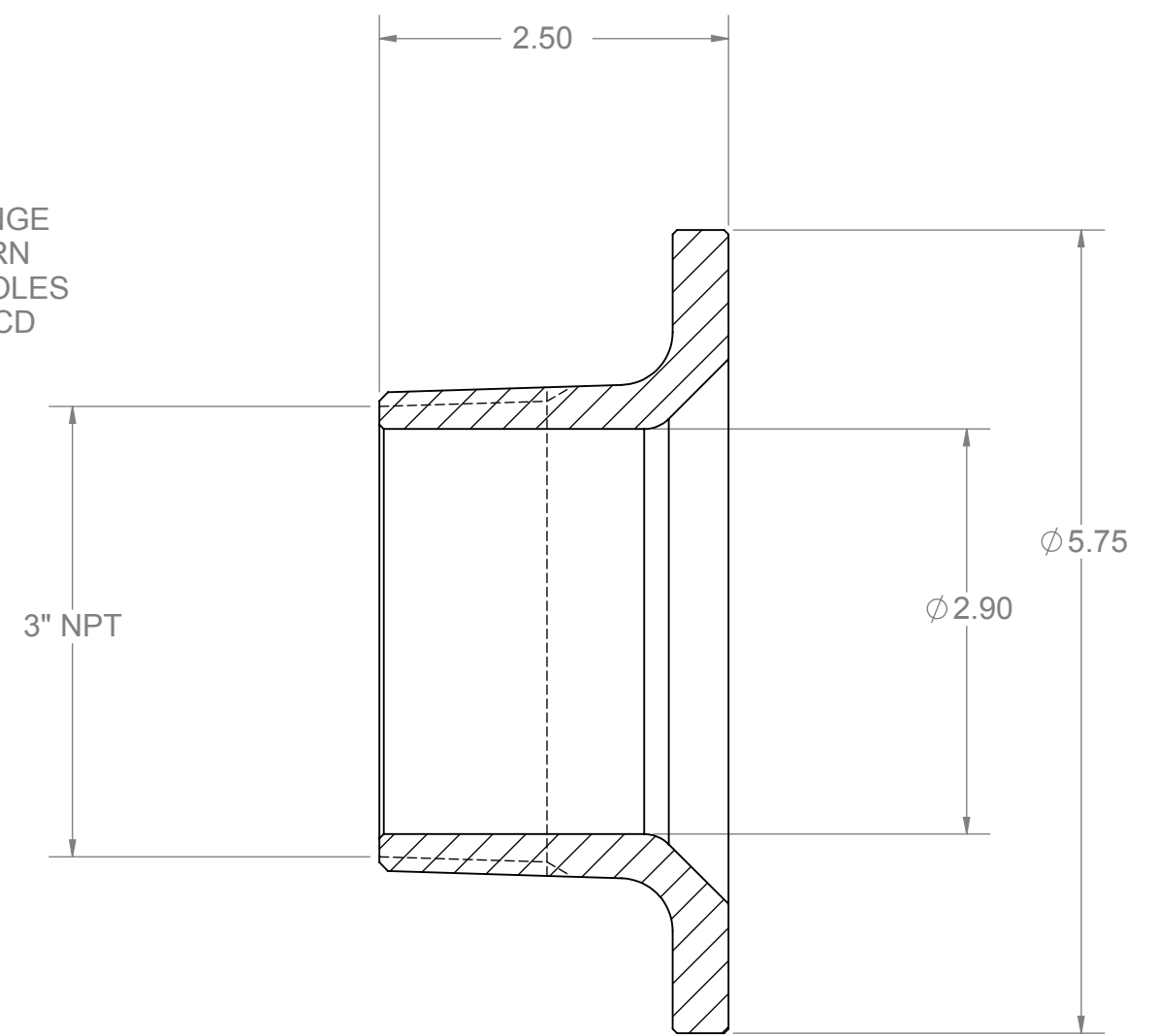


THE INFORMATION CONTAINED IN THIS DRAWING IS THE SOLE PROPERTY OF DIXON-BAYCO IND. ANY REPRODUCTION IN PART OR WHOLE WITHOUT THE WRITTEN PERMISSION OF DIXON BAYCO LIMITED IS PROHIBITED.

REVISION TABLE				
REV.	ECO	DESCRIPTION	DATE	APPROVED
*	**	***	***	***



3" TTMA FLANGE
BOLT PATTERN
8 X $\phi 7/16$ " HOLES
ON $\phi 4.875$ BCD



DIMENSIONS ARE IN INCHES UNLESS OTHERWISE SPECIFIED TOLERANCES ARE: FRACTIONS DECIMALS ANGLES $\pm 1/16$.XX $\pm .03$ $\pm 1^\circ$.XXX $\pm .010$				DIXON BAYCO LIMITED 2200 LOGAN AVE. WINNIPEG, MB. R2R 0J2 PHONE (204) 633-5650 FAX (204) 633-6119	
MATERIAL CAST ALUMINUM		CAD GENERATED DRAWING; DO NOT MANUALLY UPDATE. DO NOT SCALE DRAWING		TITLE TTMA FLANGE 3" NPT x 3" TTMA	
FINISH --		APPROVALS DRAWN BY <i>L.X.</i> JAN 30 2008 CHECKED BY <i>F.F.</i> JAN 30 2008		SIZE DWG. NO. TTF3AL-3MT CUSTOMER DRAWING REV. 0	
				ECO SHEET 1 OF 1	