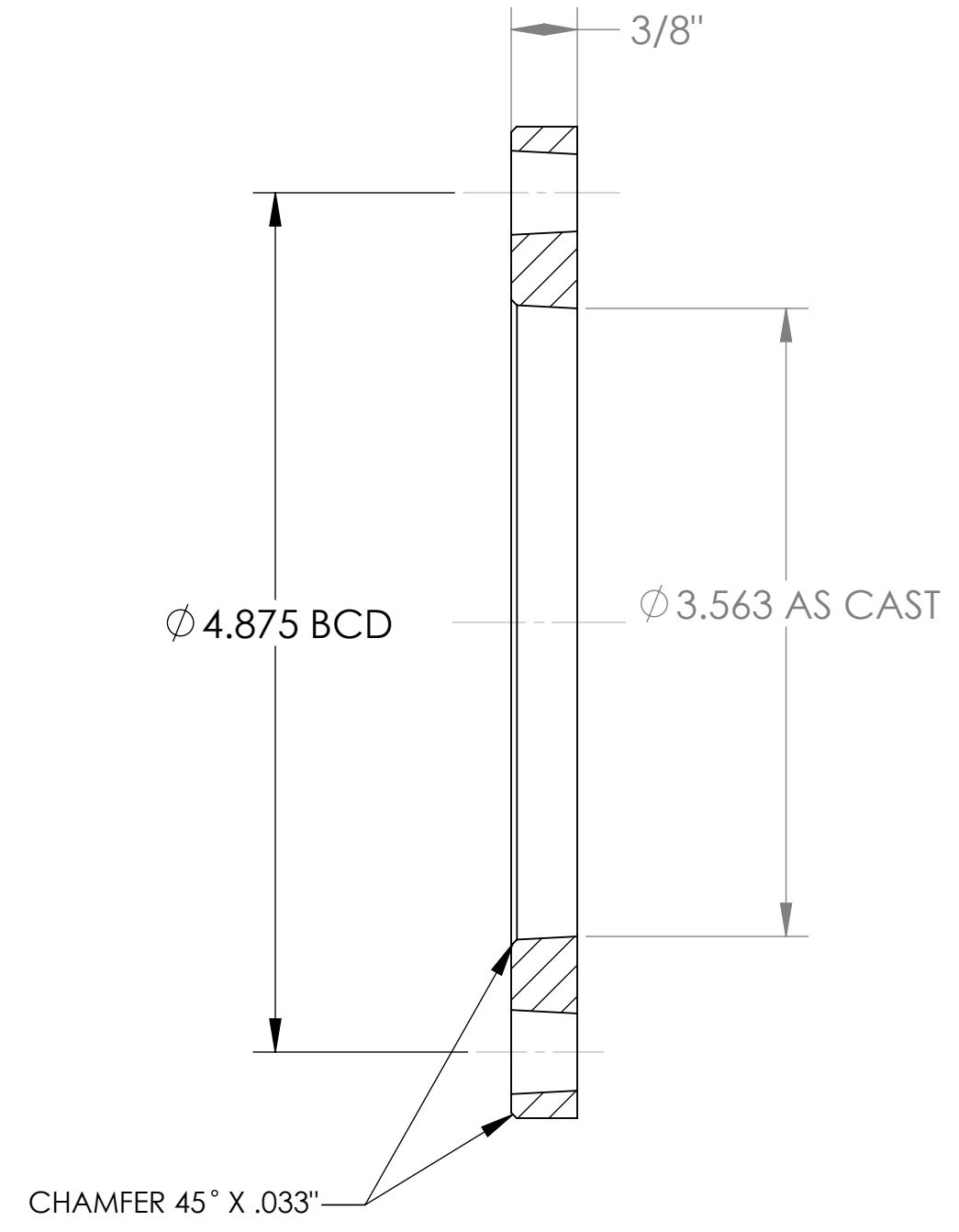
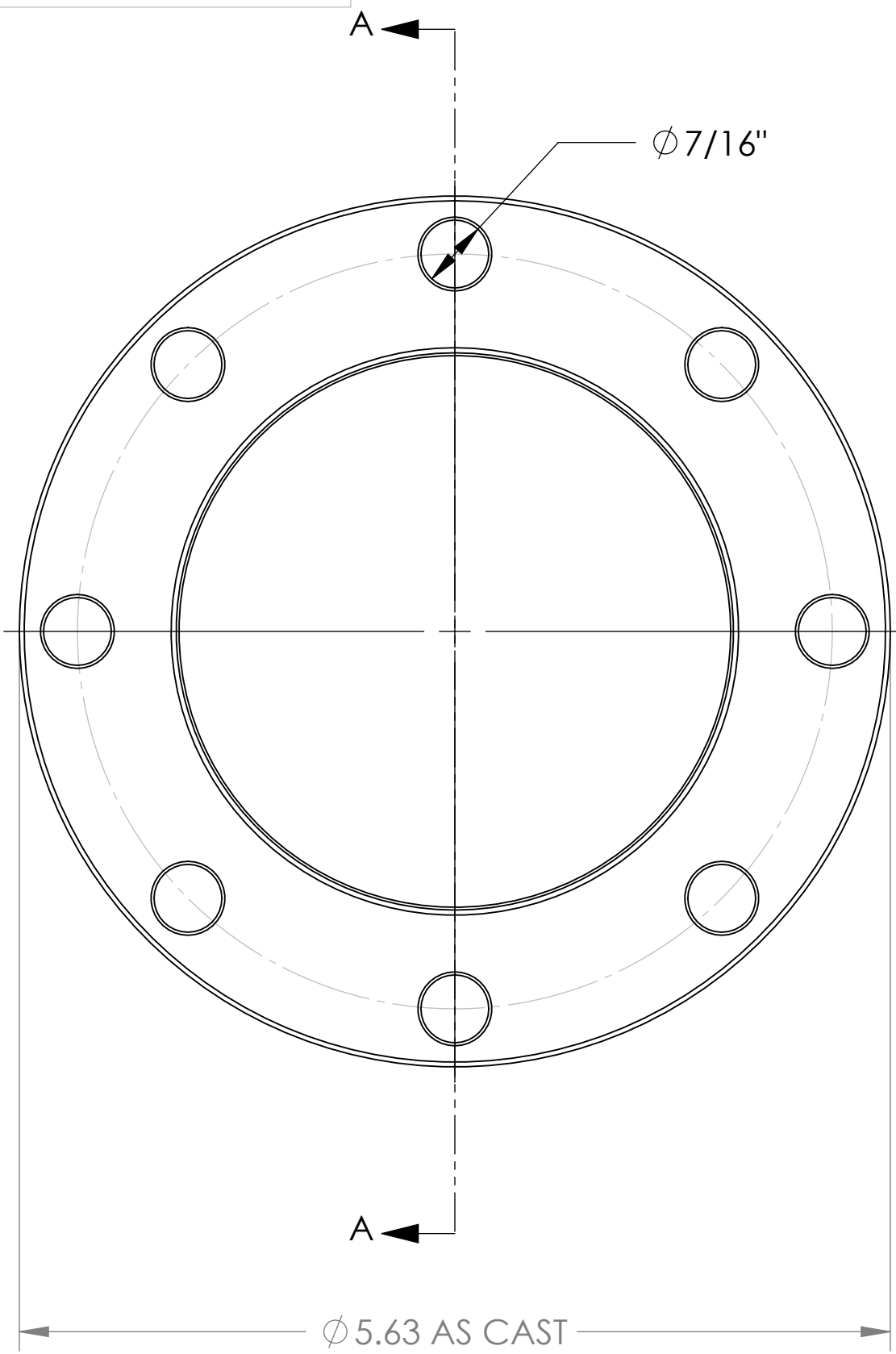


THE INFORMATION CONTAINED IN THIS DRAWING IS THE SOLE PROPERTY OF BAYCO INDUSTRIES. ANY REPRODUCTION IN PART OR WHOLE WITHOUT THE WRITTEN PERMISSION OF BAYCO INDUSTRIES IS PROHIBITED.

| REVISIONS |     |             |      |          |
|-----------|-----|-------------|------|----------|
| REV.      | ECR | DESCRIPTION | DATE | APPROVED |
|           |     |             |      |          |
|           |     |             |      |          |
|           |     |             |      |          |



SECTION A-A

|   |  |   |          |   |              |
|---|--|---|----------|---|--------------|
| UNLESS OTHERWISE SPECIFIED DIMENSIONS ARE IN INCHES TOLERANCES ARE:<br>FRACTIONS DECIMALS ANGLES<br>$\pm 1/16$ .XX $\pm .03$ $\pm 1^\circ$<br>.XXX $\pm .010$ |  | CAD GENERATED DRAWING, DO NOT MANUALLY UPDATE |          | <b>BAYCO INDUSTRIES</b><br>2200 LOGAN AVE. WINNIPEG, MB. R2R 0J2<br>PHONE (204) 633-5650 FAX (204) 633-6119 |              |
| MATERIAL 241318   |  | APPROVALS                                     | DATE     | FLANGE WELDING<br>3" TTMA - MACH'D  |              |
| FINISH --   |  | DRAWN S. Szic                                 | 19/10/98 |   |              |
| NEXT ASSY USED ON   |  | CHECKED D. Lanouette                          | 19/10/98 |   |              |
| APPLICATION DO NOT SCALE DRAWING  |  | RESP ENG S. Florence                          | 19/10/98 |   |              |
| MFG ENG   |  | QUAL ENG                                      | SIZE B   | DWG. NO. 341359   | REV. 0       |
|   |  |   |          | ECR #   | SHEET 1 OF 1 |