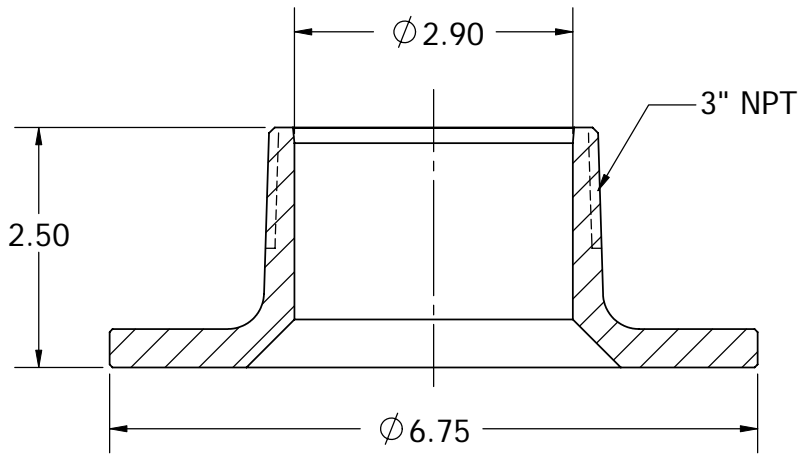
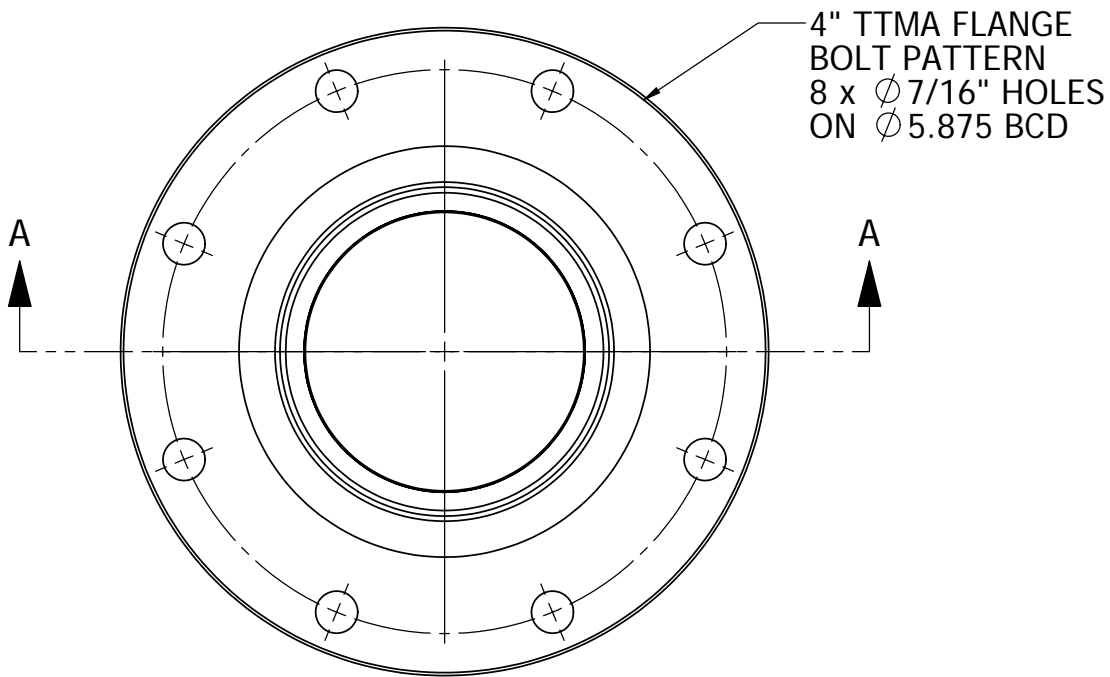
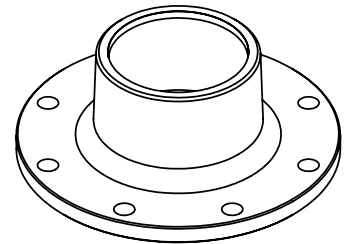


REVISIONS TABLE

REV.	ECO	DESCRIPTION	DATE	APPROVED
X	X	X	X	X



SECTION A-A
SCALE 1 : 2



UNLESS OTHERWISE SPECIFIED
DIMENSIONS ARE IN INCHES.
TOLERANCES ARE:

FRACTIONS	DECIMALS	ANGLES
$\pm 1/32$.XX \pm .03	$\pm 1^\circ$
	.XXX \pm .010	

DIXON BAYCO LIMITED

2200 LOGAN AVE. WINNIPEG, MB. R2R 0J2

PHONE (204) 633-5650 FAX (204) 633-6119

DWG. NO. **TTF4ALHC-3MT**

TITLE
**TTF4ALHC-3MT
CUSTOMER DRAWING**

MATERIAL:

CAST ALUMINUM

APPROVALS		DATE
DONE BY	S.S.	APR 22/05
CHECKED	C.M.	APR 22/05
DO NOT SCALE DRAWING		

SIZE	REV. 0
ECO	SHEET 1 OF 1