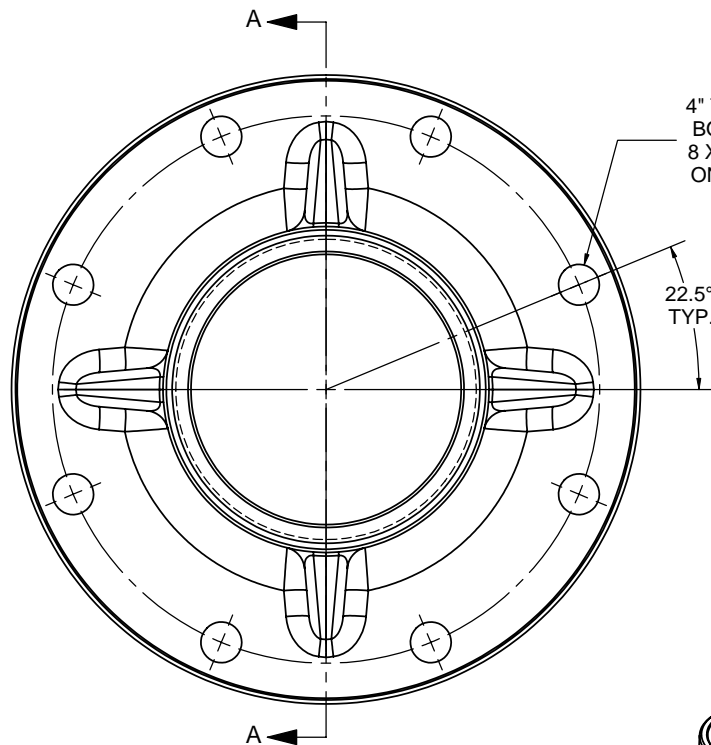


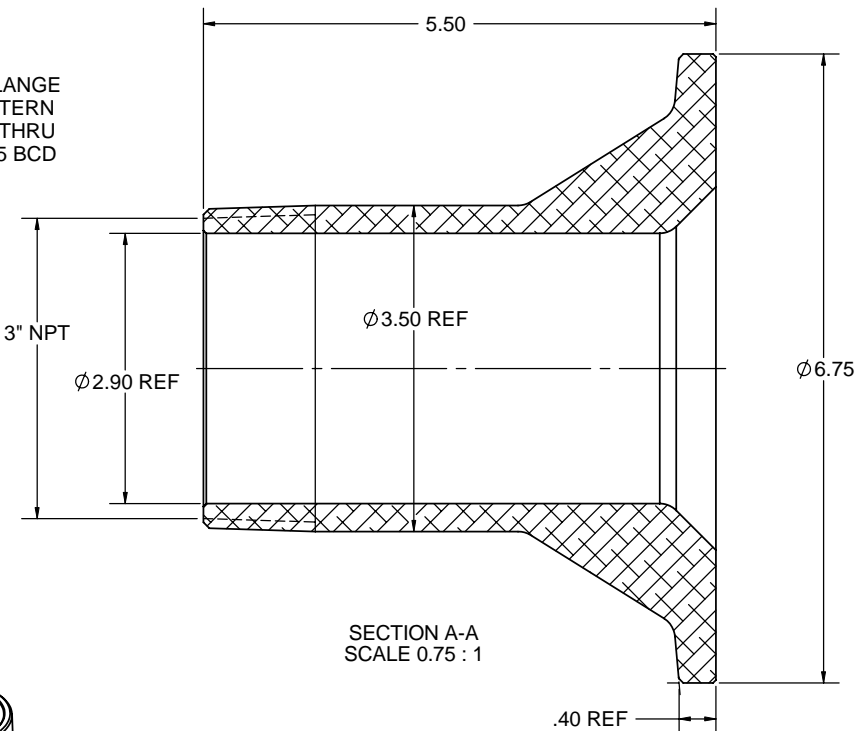
THE INFORMATION CONTAINED IN THIS DRAWING IS THE SOLE PROPERTY OF DIXON-BAYCO INC. ANY REPRODUCTION IN PART OR WHOLE WITHOUT THE WRITTEN PERMISSION OF DIXON BAYCO LIMITED IS PROHIBITED.

REVISION TABLE				
REV.	ECO	DESCRIPTION	DATE	APPROVED
--	--	---	--	--

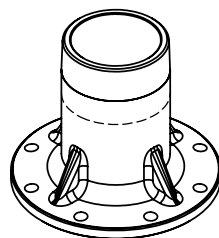


4" TTMA FLANGE
BOLT PATTERN
8 X Ø.438 THRU
ON Ø5.875 BCD

22.5°
TYP.



SECTION A-A
SCALE 0.75 : 1



DIMENSIONS ARE IN INCHES UNLESS OTHERWISE SPECIFIED
TOLERANCES ARE:
FRACTIONS DECIMALS ANGLES



CAD GENERATED DRAWING: DO NOT MANUALLY UPDATE
DO NOT SCALE DRAWING

MATERIAL	AL 356.1	
FINISH	--	
APPROVALS	DATE	
DRAWN BY	<i>F.F.</i>	Jun 11/08
CHECKED BY	<i>H.R.</i>	Jun 11/08

DIXON BAYCO LIMITED
2200 LOGAN AVE. WINNIPEG, MB. R2R 0J2
PHONE (204) 633-5650 FAX (204) 633-6119

TITLE
TTMA FLANGE EXTENDED
3" NPT x 4" TTMA

SIZE DWG. NO. **TTF4AL-3EMT** REV. **0**
CUSTOMER DRAWING

SHEET 1 OF 1