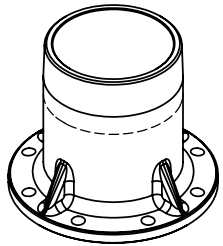
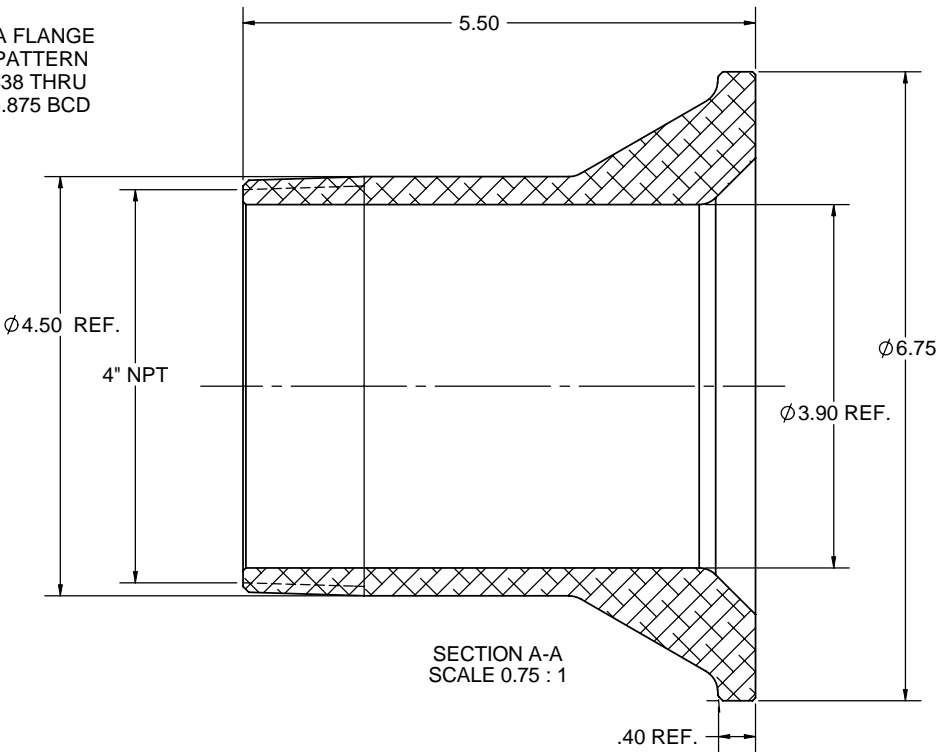
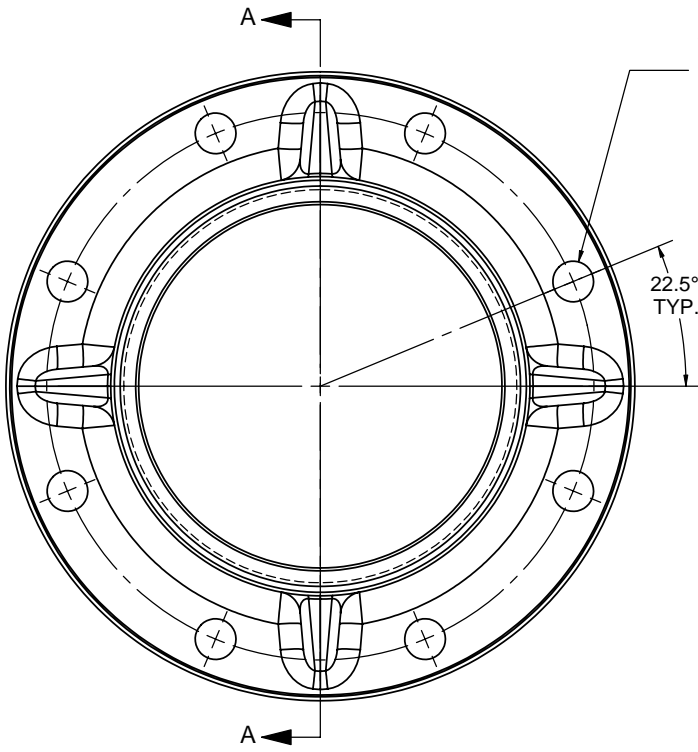


THE INFORMATION CONTAINED IN THIS DRAWING IS THE SOLE PROPERTY OF DIXON-BAYCO INC. ANY REPRODUCTION IN PART OR WHOLE WITHOUT THE WRITTEN PERMISSION OF DIXON BAYCO LIMITED IS PROHIBITED.

REVISION TABLE				
REV.	ECO	DESCRIPTION	DATE	APPROVED
..	..	...	...	..



DIMENSIONS ARE IN INCHES UNLESS OTHERWISE SPECIFIED TOLERANCES ARE: FRACTIONS DECIMALS ANGLES		<b>DIXON BAYCO</b>		<b>DIXON BAYCO LIMITED</b> 2200 LOGAN AVE. WINNIPEG, MB. R2R 0J2 PHONE (204) 633-5650 FAX (204) 633-6119	
MATERIAL <b>AL 356.1</b>		CAD GENERATED DRAWING: DO NOT MANUALLY UPDATE DO NOT SCALE DRAWING		TITLE <b>TTMA FLANGE EXTENDED 4" NPT X 4" TTMA</b>	
FINISH --		APPROVALS DRAWN BY <i>F.F.</i>	DATE Jun 11/08	SIZE B	DWG. NO. <b>TTF4AL-4EMT</b> CUSTOMER DRAWING
		CHECKED BY <i>H.R.</i>	DATE Jun 11/08	REV. <b>0</b>	SHEET 1 OF 1