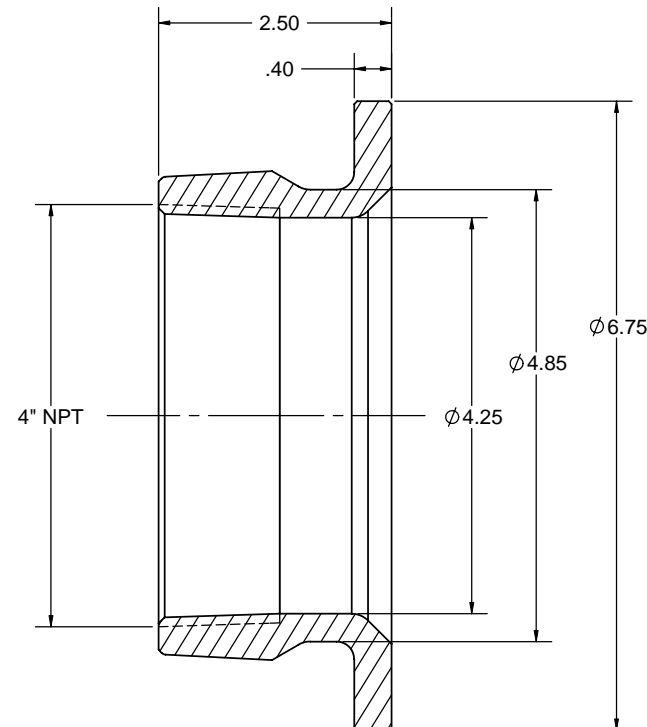
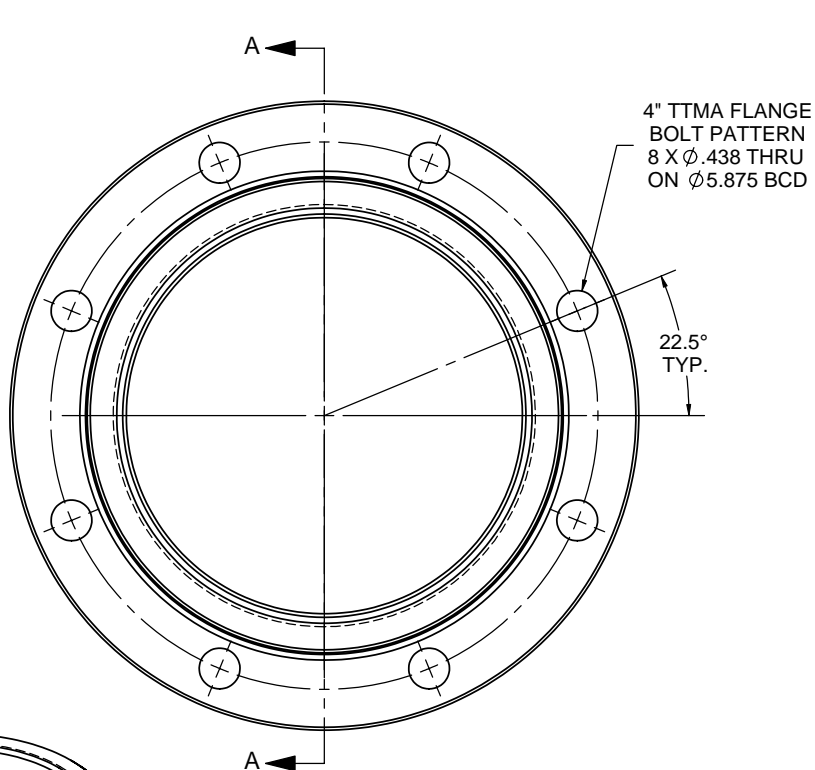
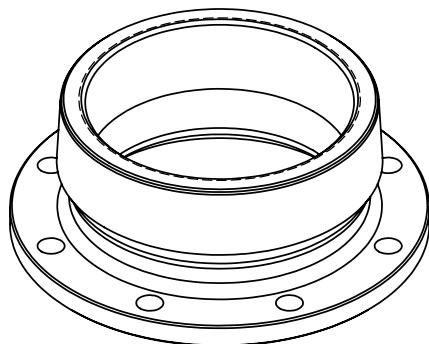


THE INFORMATION CONTAINED IN THIS DRAWING IS THE SOLE PROPERTY OF DIXON-BAYCO INC. ANY REPRODUCTION IN PART OR WHOLE WITHOUT THE WRITTEN PERMISSION OF DIXON BAYCO LIMITED IS PROHIBITED.

REVISION TABLE				
REV.	ECO	DESCRIPTION	DATE	APPROVED
-	--	---	---	---



SECTION A-A  
SCALE 0.75 : 1



DIMENSIONS ARE IN INCHES UNLESS OTHERWISE SPECIFIED  
TOLERANCES ARE:  
FRACTIONS DECIMALS ANGLES



CAD GENERATED DRAWING; DO NOT MANUALLY UPDATE

MATERIAL <b>Al 356.1</b>	APPROVALS		DATE
	DRAWN BY <i>F.F.</i>	Jun 11/08	
FINISH --	CHECKED BY <i>H.R.</i>		DATE
			Jun 11/08

**DIXON BAYCO LIMITED**  
2200 LOGAN AVE. WINNIPEG, MB. R2R 0J2  
PHONE (204) 633-5650 FAX (204) 633-6119

TITLE <b>TTMA FLANGE FEMALE 4" NPT x 4" TTMA</b>		
SIZE <b>B</b>	DWG. NO. <b>TTF4AL-4FT CUSTOMER DRAWING</b>	REV. <b>0</b>
ECO 2013		SHEET 1 OF 1