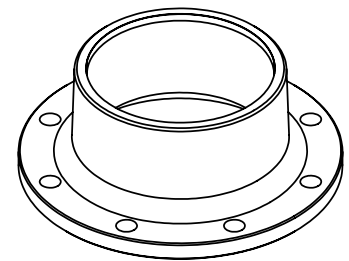
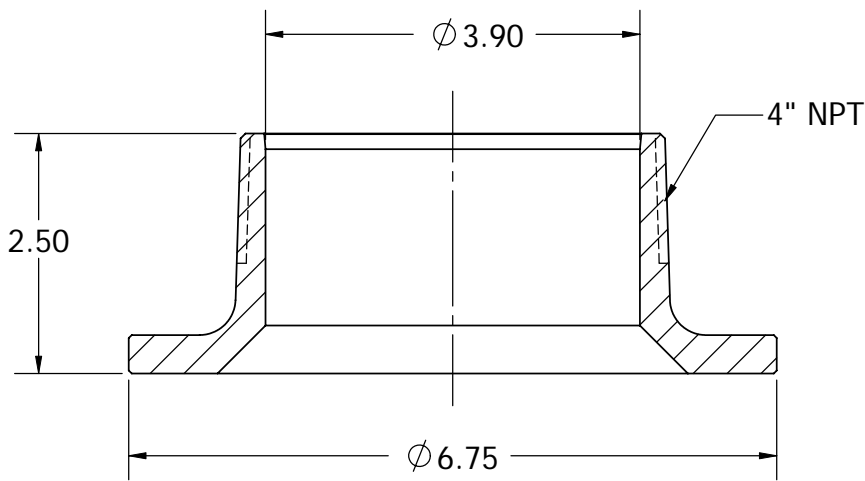
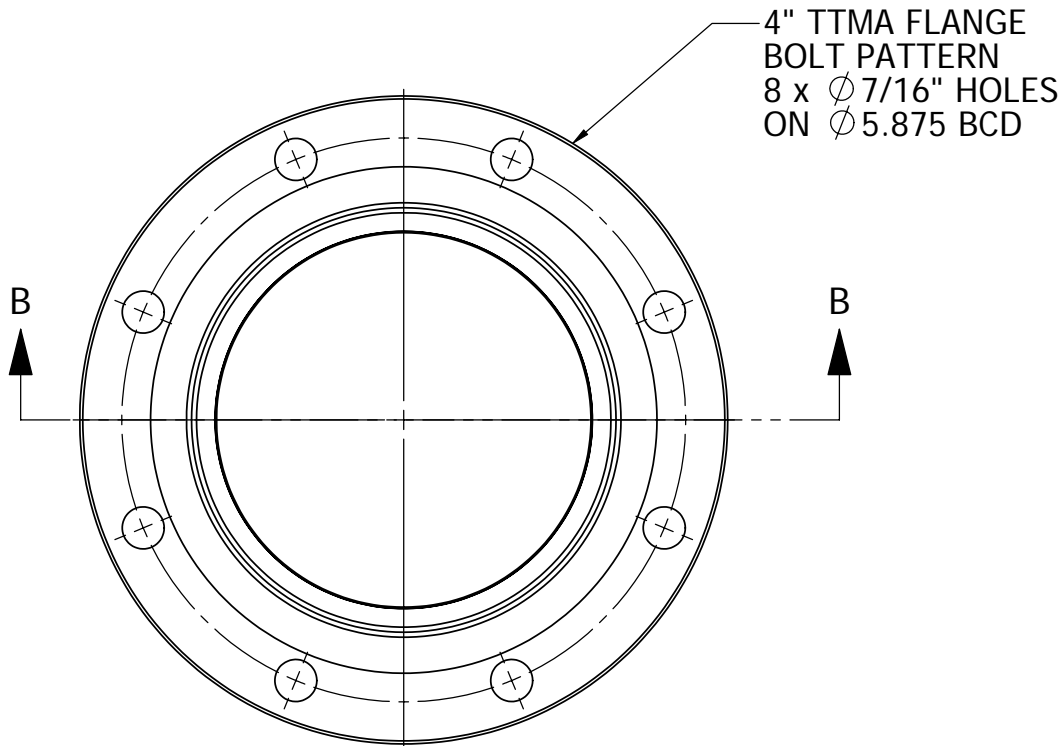


REVISIONS TABLE

REV.	ECO	DESCRIPTION	DATE	APPROVED
X	X	X	X	X



SECTION B-B  
SCALE 1 : 2

UNLESS OTHERWISE SPECIFIED  
DIMENSIONS ARE IN INCHES.  
TOLERANCES ARE:

FRACTIONS	DECIMALS	ANGLES
$\pm 1/32$	.XX $\pm$ .03	$\pm 1^\circ$
	.XXX $\pm$ .010	

MATERIAL:  
CAST ALUMINUM

**DIXON BAYCO LIMITED**

2200 LOGAN AVE. WINNIPEG, MB. R2R 0J2  
PHONE (204) 633-5650 FAX (204) 633-6119

APPROVALS		DATE
DONE BY	S.S.	JUNE 7/05
CHECKED	C.M.	JUNE 7/05
DO NOT SCALE DRAWING		

DWG. NO.

**TTF4AL-4MT**

TITLE

**TTF4AL-4MT  
CUSTOMER DRAWING**

SIZE  
**A**

REV. **0**

ECO

SHEET 1 OF 1