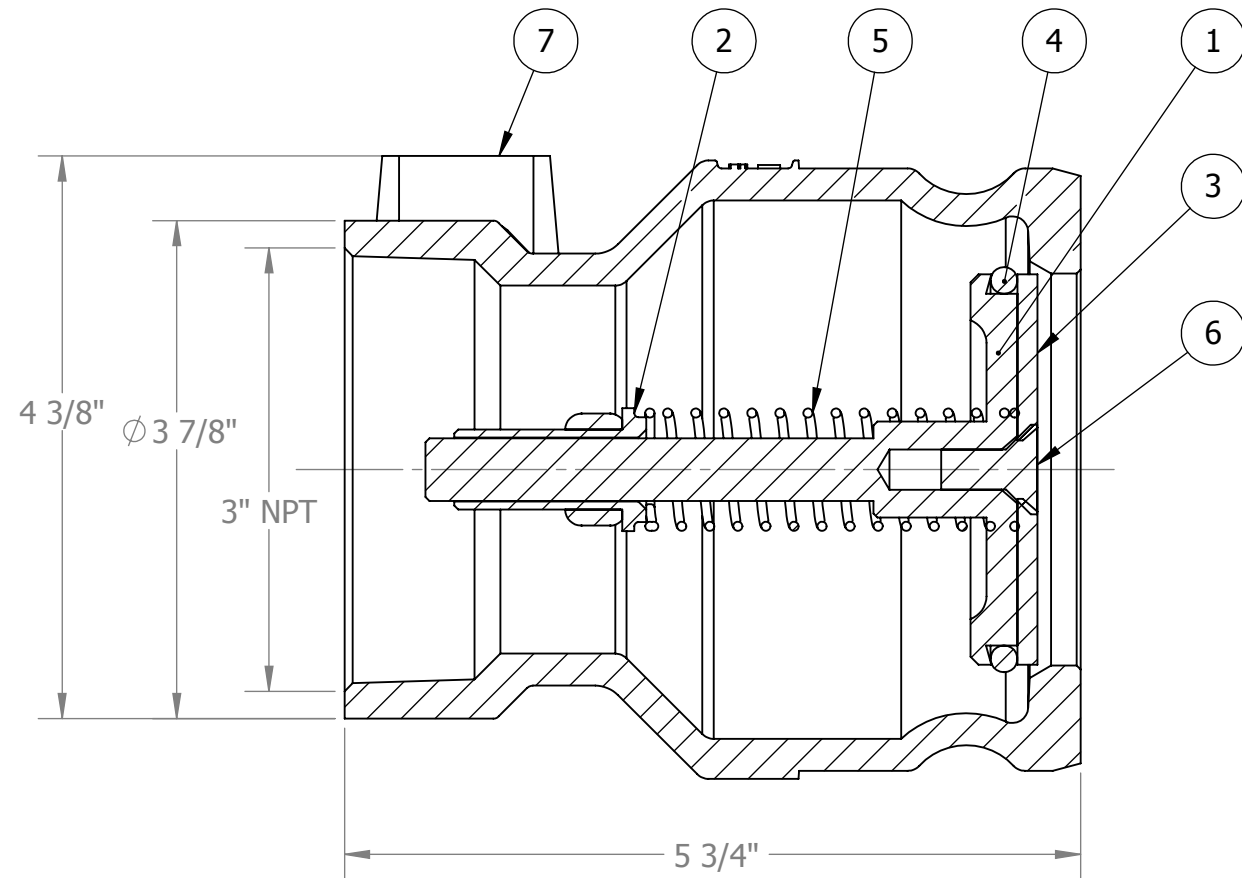
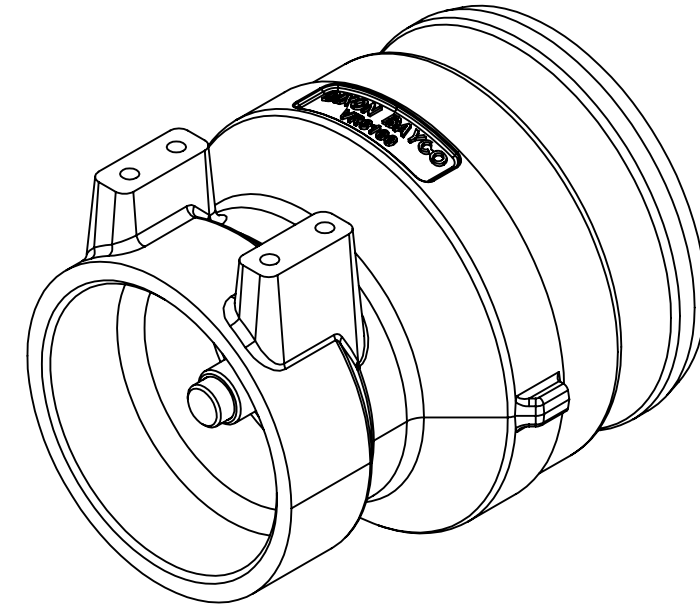
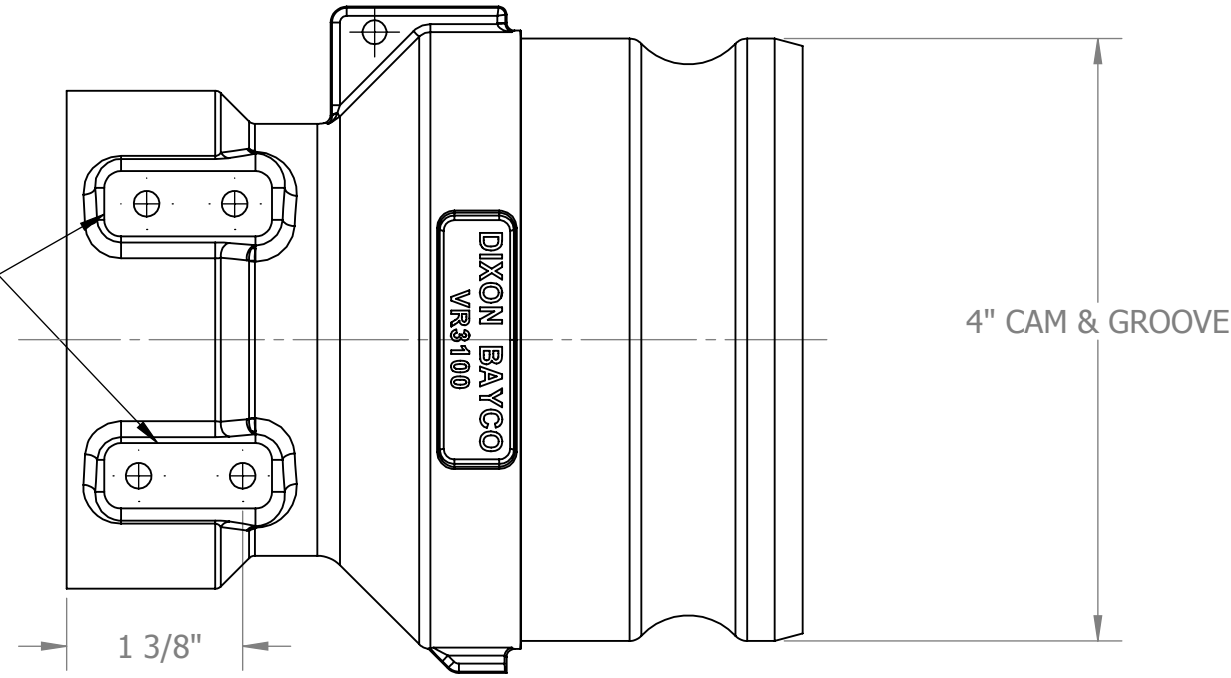


THE INFORMATION CONTAINED IN THIS DRAWING IS THE SOLE PROPERTY OF DIXON BAYCO LIMITED. ANY REPRODUCTION IN PART OR WHOLE WITHOUT THE WRITTEN PERMISSION OF DIXON BAYCO LIMITED IS PROHIBITED.

REVISION TABLE				
REV.	ECO	DESCRIPTION	DATE	APPROVED
**	**	**	**	**

AIR INTERLOCK VALVE MOUNTING PAD



SECTION A-A  
SCALE 1 : 1.5

ITEM NO.	Description	VR3100/QTY.
1	Valve	1
2	Bushing	1
3	Plate	1
4	O-RING #334	1
5	Spring	1
6	Screw	1
7	Body	1

DIMENSIONS ARE IN INCHES UNLESS OTHERWISE SPECIFIED TOLERANCES ARE: FRACTIONS DECIMALS ANGLES	<b>DIXON BAYCO</b>		<b>DIXON BAYCO LIMITED</b> 2200 LOGAN AVE. WINNIPEG, MB. R2R 0J2 PHONE (204) 633-5650 FAX (204) 633-6119	
	CAD GENERATED DRAWING; DO NOT MANUALLY UPDATE. DO NOT SCALE DRAWING		TITLE <b>VR3100</b> 4" Vapor Valve X 3" FNPT END	
MATERIAL	APPROVALS	DATE	SIZE	DWG. NO.
	DRAWN BY <i>F. FIDELINO</i>	AUG 22/11	B	800078
	CHECKED <i>R. FAHL</i>	AUG 22/11	REV.	0
			ECO:	SHEET 1 OF 1