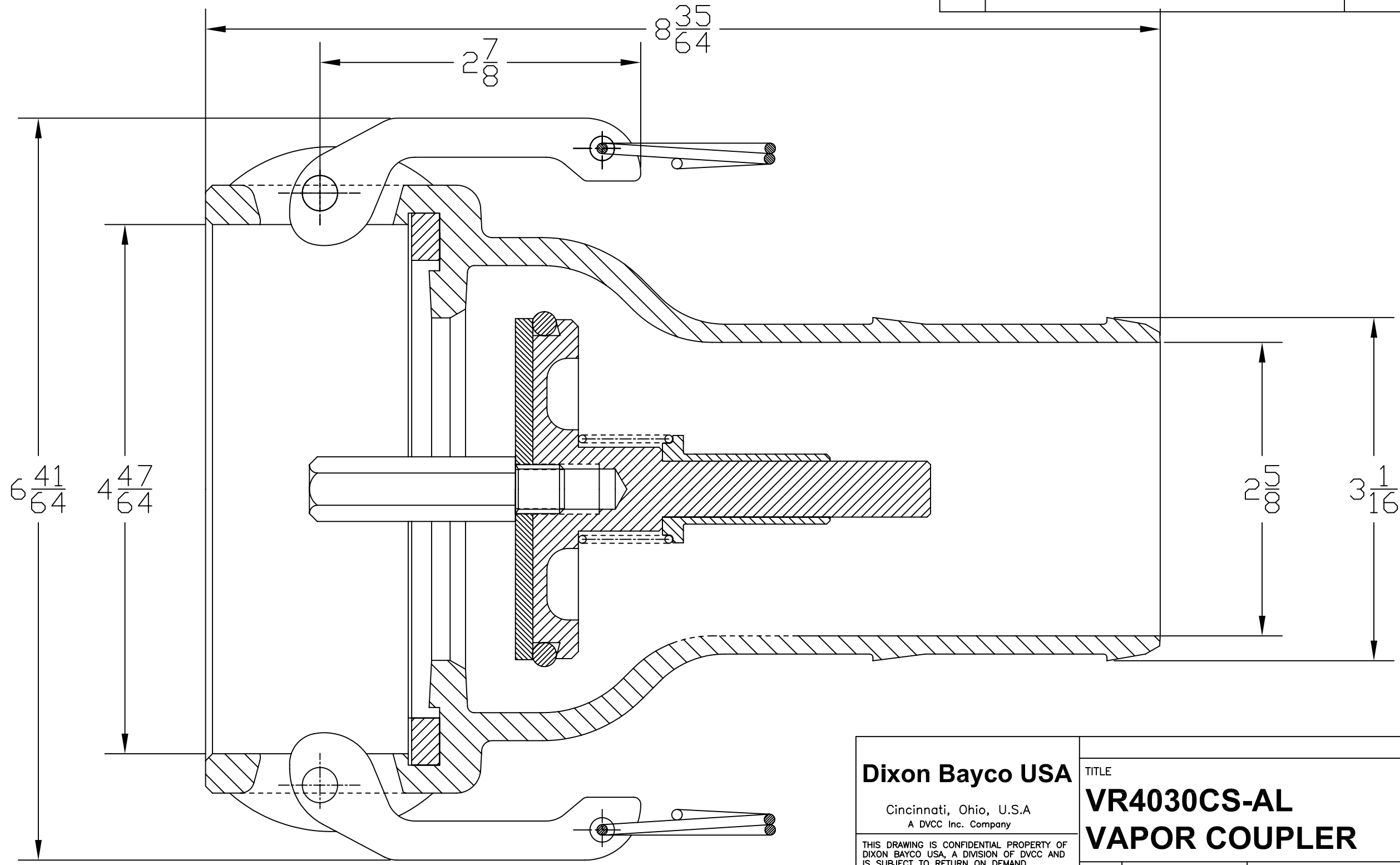


REVISIONS			
REV	DESCRIPTION	DATE	APPROVED



Dixon Bayco USA

Cincinnati, Ohio, U.S.A.
A DVCC Inc. Company

THIS DRAWING IS CONFIDENTIAL PROPERTY OF DIXON BAYCO USA, A DIVISION OF DVCC AND IS SUBJECT TO RETURN ON DEMAND.
© COPYRIGHT 2000 DO NOT COPY.

DIM. TOLERANCES UNLESS SPECIFIED.
INCHES .X +/- .050 MACHINE FRACTION +/- 1/64
.XX +/- .010 ROUGH CASTING +/- 1/32
.XXX +/- .005

TITLE
VR4030CS-AL
VAPOR COUPLER

SIZE B	DRAWN BY FAHL	DWG NO. VR4030CS-AL-CST	REV -
------------------	-------------------------	-----------------------------------	-----------------

SCALE NONE	DATE 02JUN2009	SHEET 1 OF 1
----------------------	--------------------------	----------------------------