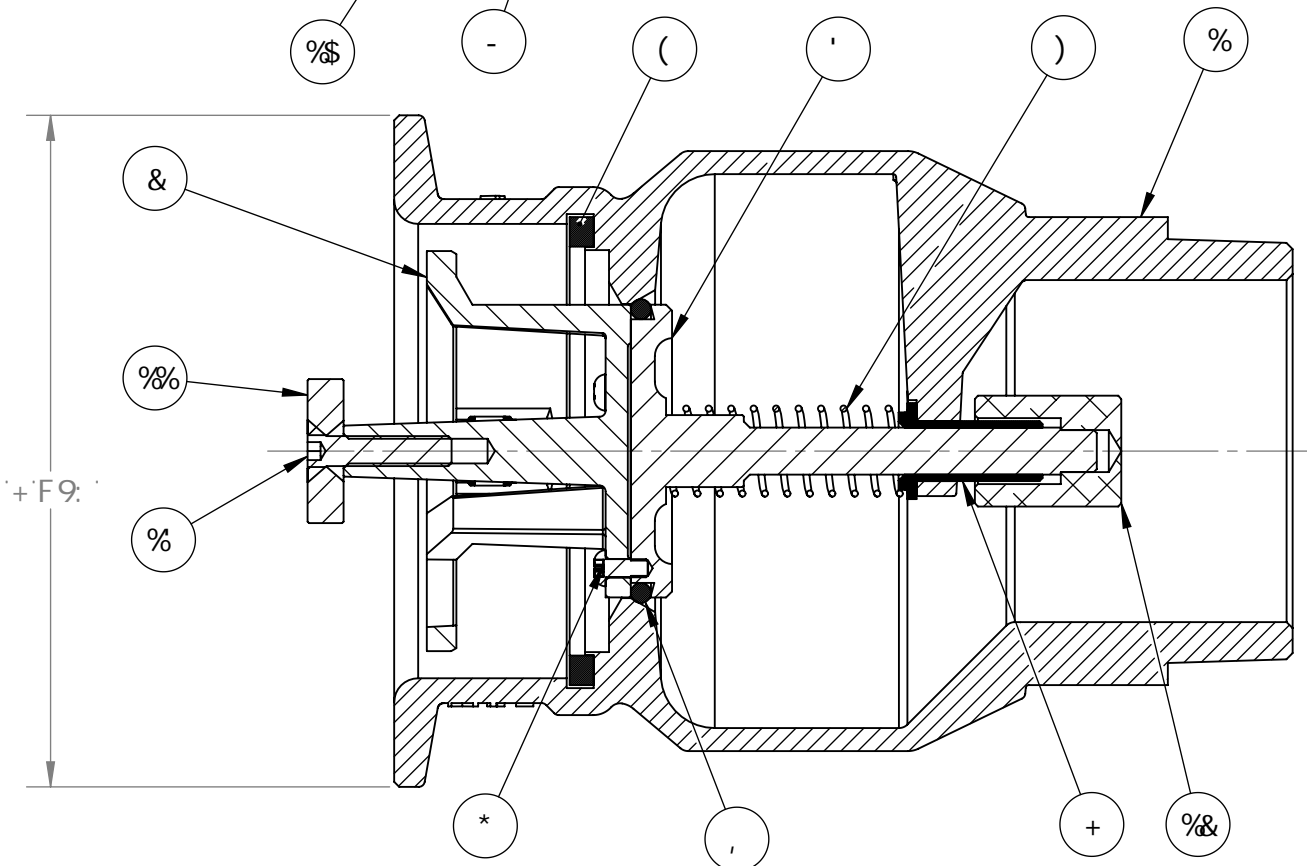
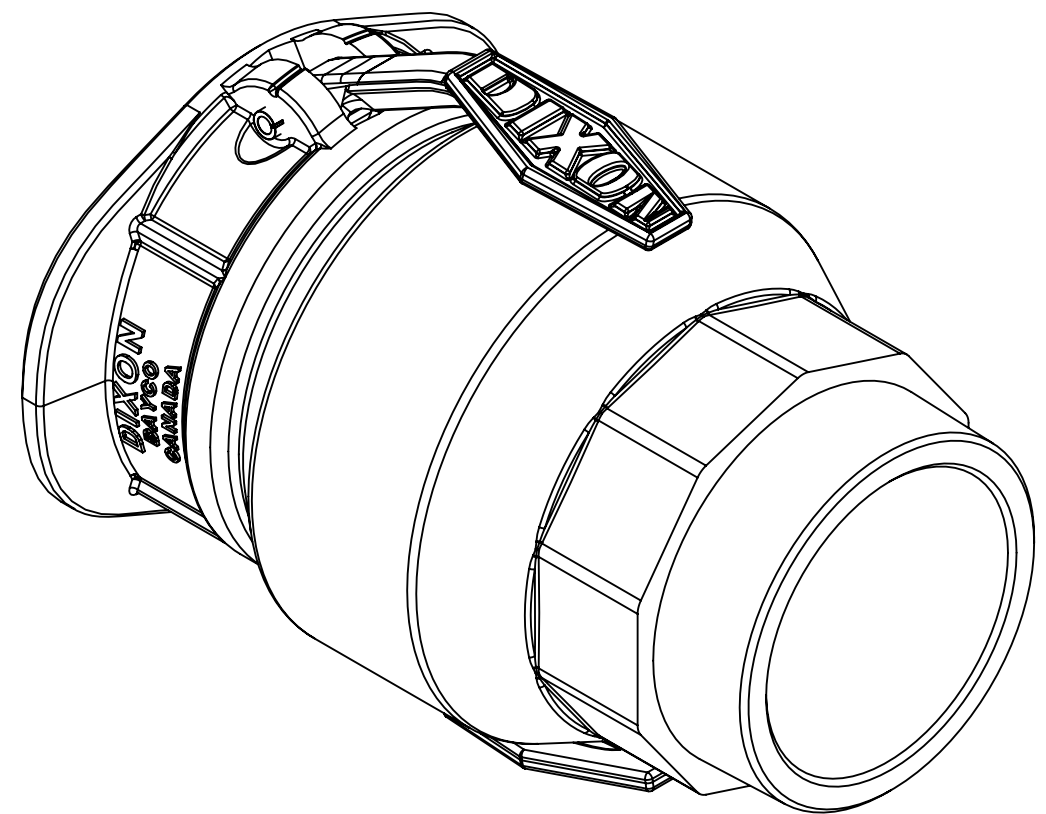
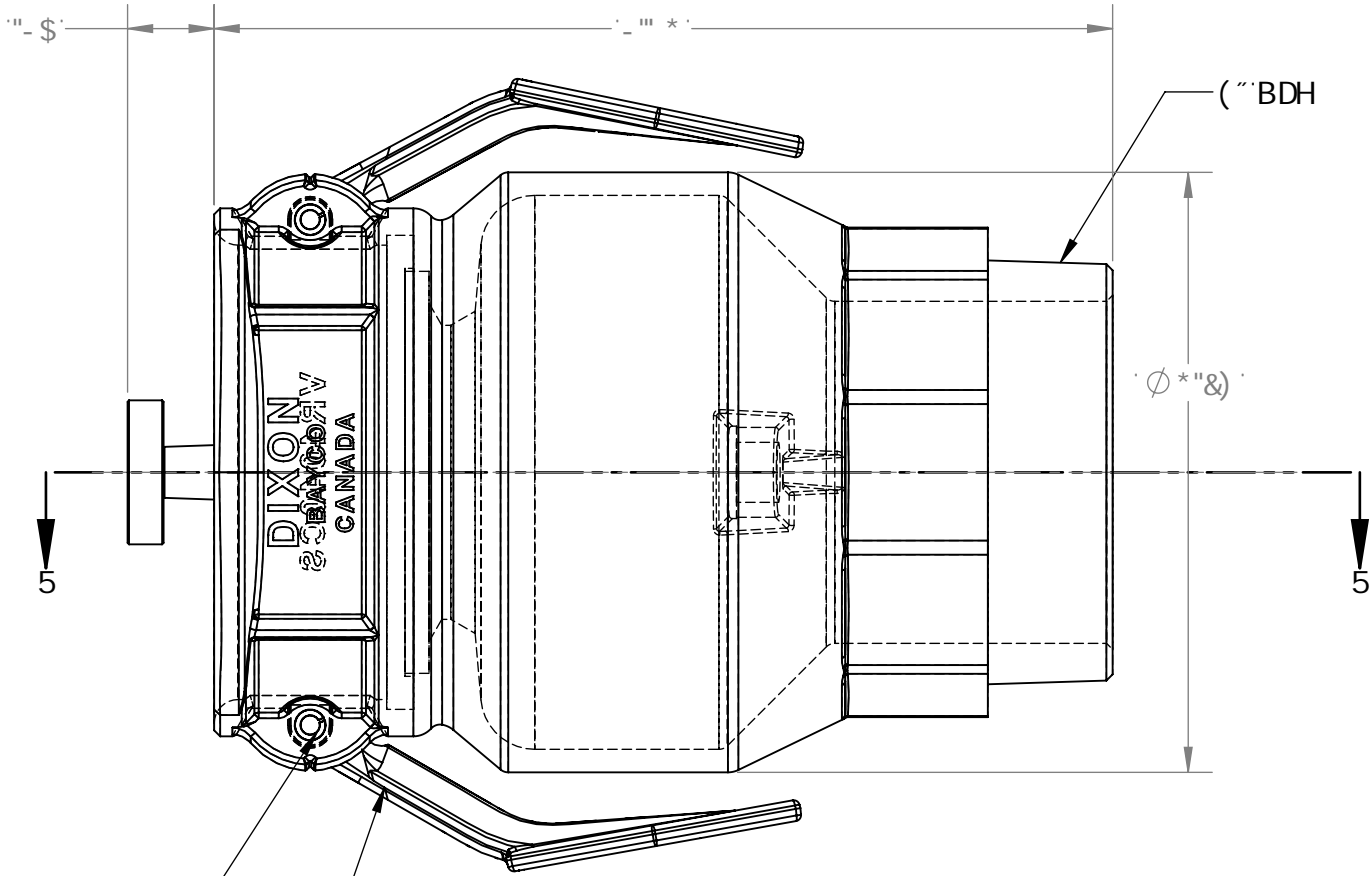


H:9 B: CFA 5HC B 7 CBH B 98 B H: 68F5K B: 6H:9CC @DFC D9FHC: 84CB
 ; FCID75B585 @A #08 5BMF9DFC81 7HC B B D5FHCFK <C @9K #C I H:9
 K F#H8 D9FA GGC B C: 84CB; FCID75B585 @A #08 GDFC <6#08

F9J GCB H56@9

F9J "	97 C	89G7 F-DHC B	85H9	5DDFC J 98



G97H-CB 5!5
 G75@9% . &

H9A 'BC"	D5FH'BC"	89G7F-DH-CB	E HM
%	' (% + \$	6C8M	%
&	' (% %	75; 9	%
'	' (% & \$	DCDD9H	%
(%/ & & *	; 5G?9H'f6l B5!B4	%
)	%/ & & *'	GDF =B;	%
*	%/ & & * (A 57 < -B' G7F 9K	'
+	' - \$% (*	6l G < -B;	%
,	%/ \$ * - %	C!F =B; ' ' ('fi ?A4	%
-	(\$ & % GG	D588 @9 5FA	&
% \$	(\$ & % GG	75A '5FA 'D-B	&
% %	' - % * \$	6l HHC B	%
% &	' - % * ,	DCDD9H'GHCD	%
%	%/ & (%*) #/6!% : @5H' < 958 'GC7?9H G7F 9K	%

B A 9BGC BG 5F9 B B7 < 9G1 B @9G C H: 9FK 69 CD97 * 98
 A 5H9F-5@

DIXON
 The Right Connection™
 758: 9B9F5H88 8F5K B: /8C BCHA 5B1 5@M1 D85H9
 BC B'CH G7 5@9 8F5K B:
 5DDFC J 5@6
 85H9
 8F5K B 6M
 @ " L"
 5DF \$- Z%(
 7 < 97 98
 LLL
 III

FKZQ' I TQWRECPFC' NIO KWGF
 &&\$ \$ @ ; 5B '5J 9"K BB-D9, ZA 6" F&F '\$-&
 D < C B 9 f&\$ (L' * ' !) *) \$: 5L f&\$ (L' * ' ! * % %
J F (\$ (\$ 7 G (A BDH
J 5 DCF 7 C I D @ F
 G89 BK : " BC"
 6 , \$ \$ - \$ \$! 7 I GH &
 97 C G: 99H % C : %