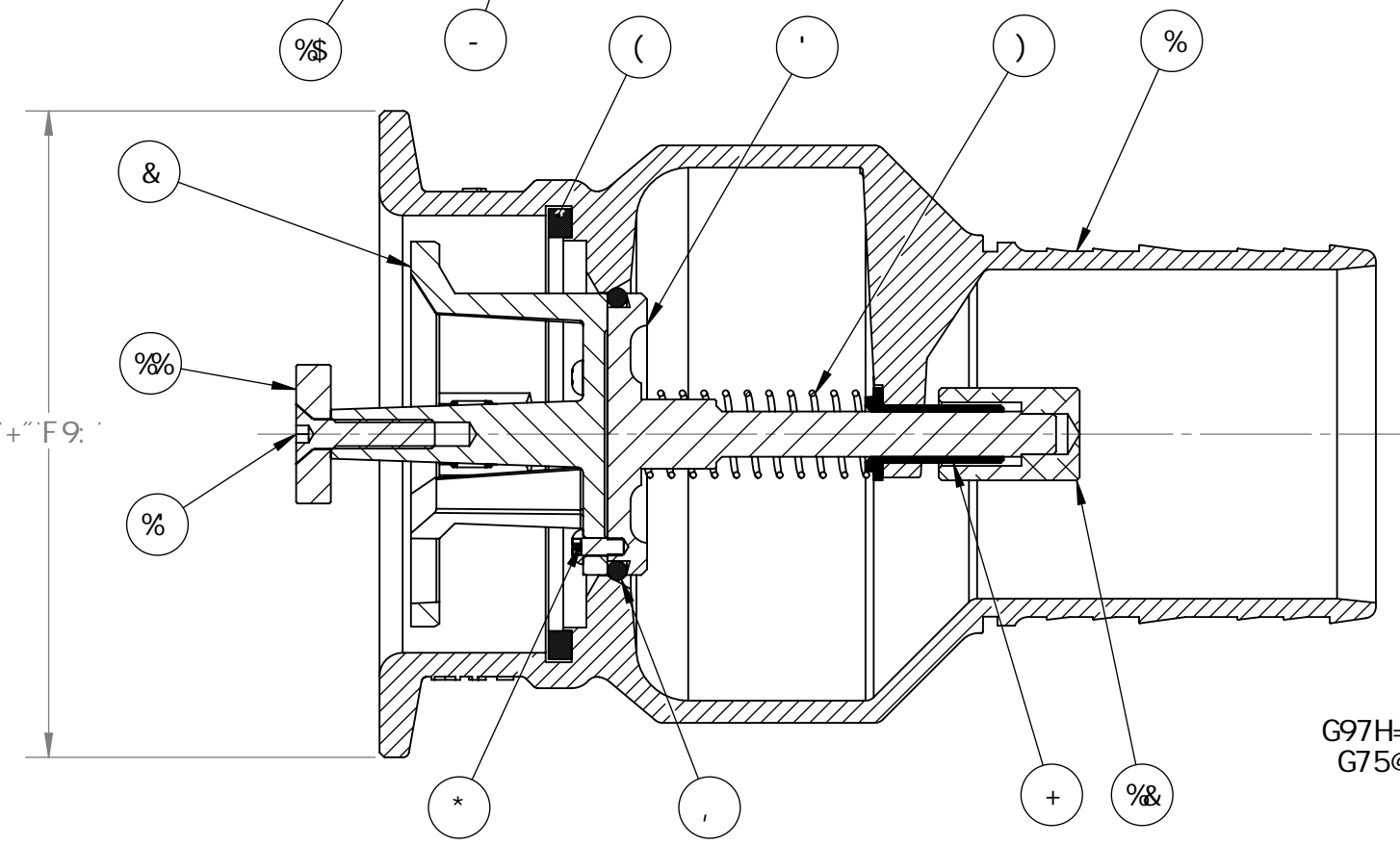
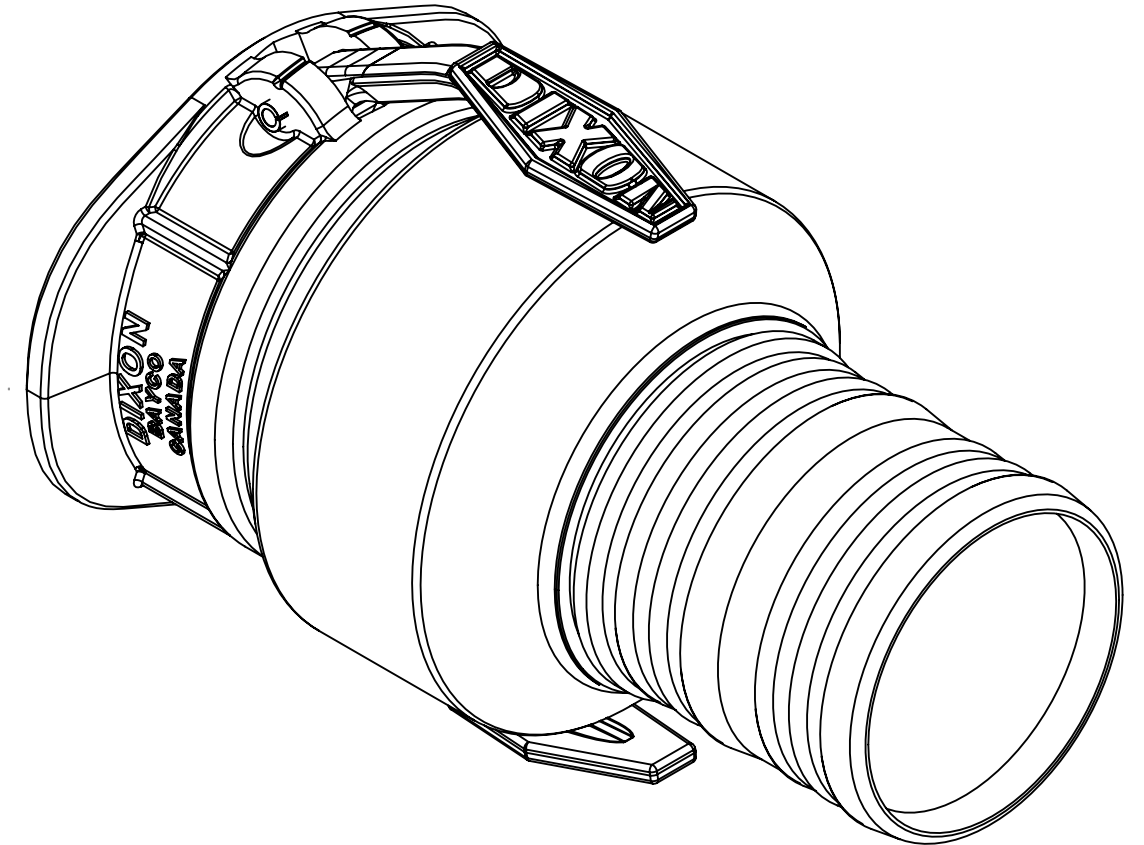
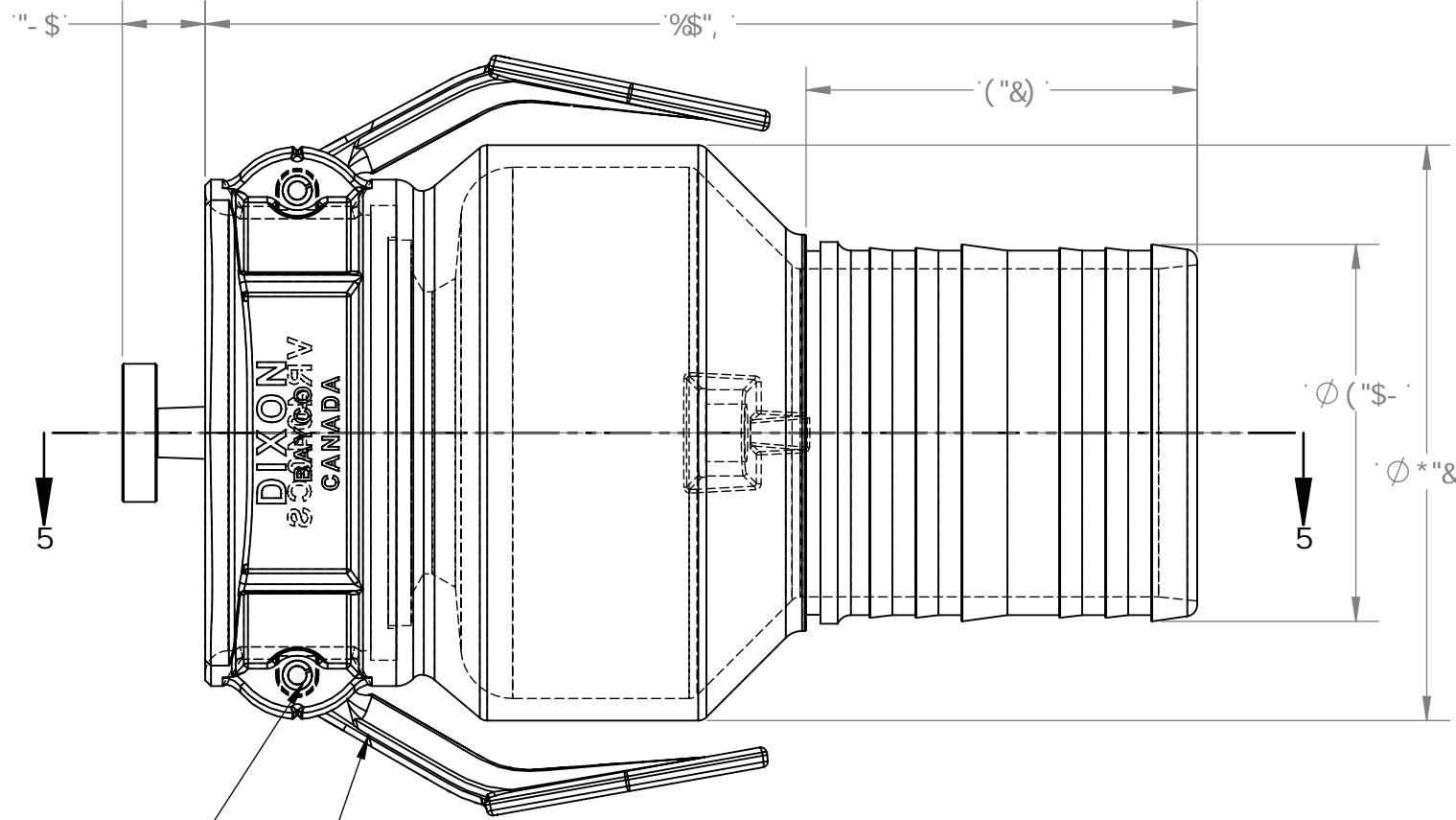


H:9 B: CFA 5HC B 7 CBH 5 B 98 B H: 68F5K B: 6H:9 GC @DFC D9FHC: 8 LCB
 : FCID75B585 @A #98 5BMF9DFC81 7HC B B D5FHC F K <C @9K #C I H H:9
 K F #98 D9FA GGC B C: 8 LCB: FCID75B585 @A #98 GDFC <6 #98

F9J GCB H56@9

F9J "	97 C	89G7 F-DHC B	85H9	5DDFC J 98



G97H-CB '5!5'
 G75@9% . &

+H9A 'BC"	D5FH'BC"	89G7F -DH-CB	E HM
%	' (% %	6C8M	%
&	' (% %	75; 9	%
'	' (% &\$	DCDD9H	%
(%&&* &	; 5G?9H'f6l B5!BŁ	%
)	%&&*'	GDF =B;	%
*	%&&* (A 57<-B9'G7F 9K	'
+	' - \$% *	6l G<-B;	%
,	%&\$* - %	C!F-B; ; ' ' (fi ?A Ł	%
-	(\$&%) GG	D588@9'5FA	&
%\$	(\$&%) GG	75A '5FA 'D-B	&
%%	' - % * \$	6l HHC B	%
%&	' - % * ,	DCDD9H'GHCD	%
%	%&(%*) #/!* !% : @5H'<958' GC 7?9H' G7F 9K	%

B A 9BGC BG 5F9 -B -B7 <9G1 B@9GC C H:9FK 69 CD97 *98 758: 9B9F5H88 8F5K B: /8C BCHA 5B1 5@M1 D85H9 BC B'CH G7 5@9 8F5K B:	The Right Connection™ 5DDFC J 5@6 85H9	FKZQP'I TQWRECPFC'NKO KWGF &&\$@\$@: 5B'5J 9"K -BB-D9, ZA 6"F&F '\$-& D<C B9f&\$ (Ł**'!)*) '\$: 5L f&\$ (Ł**'!)*)%
		J F(\$(\$7G5@ J 5DCF'7CI D@F
A 5H9F-5@	8F5K B 6M @L" 7<97798 LLL	5DF -@%Z&\$% III
		G49 BK: "BC" 6 97 C