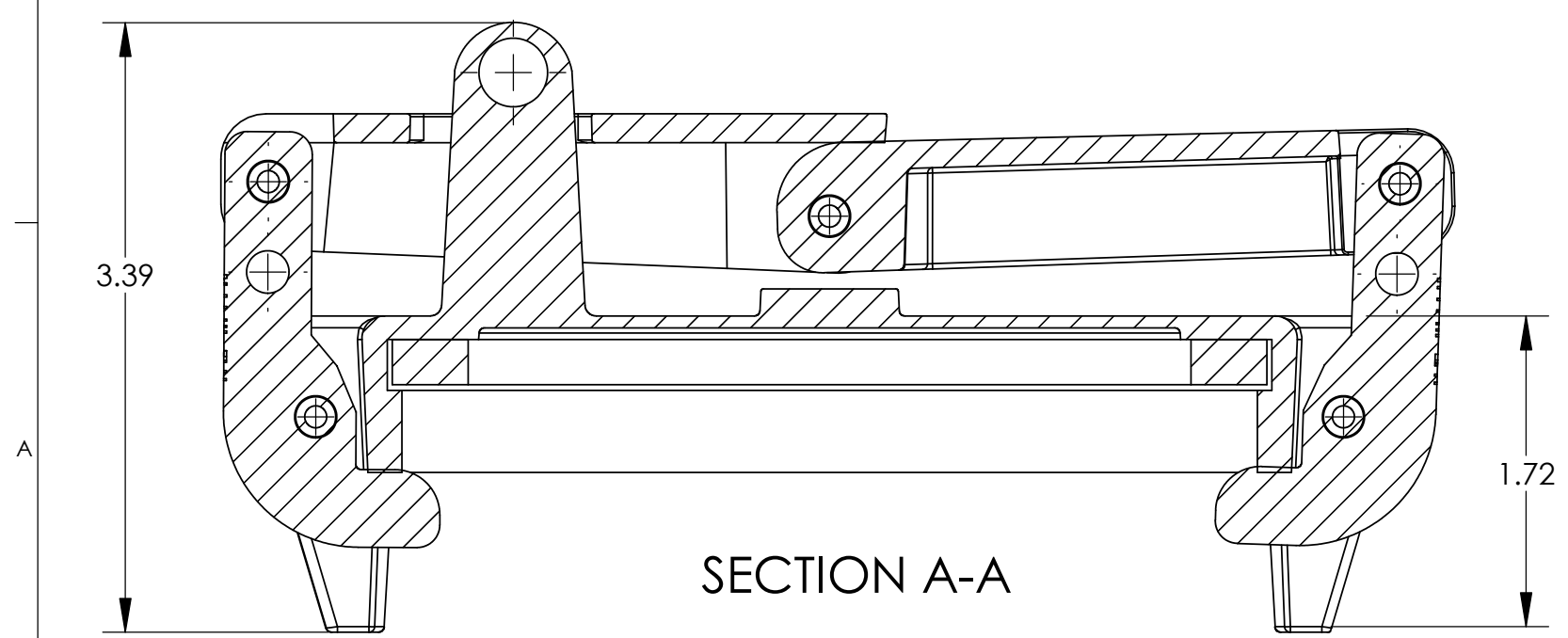
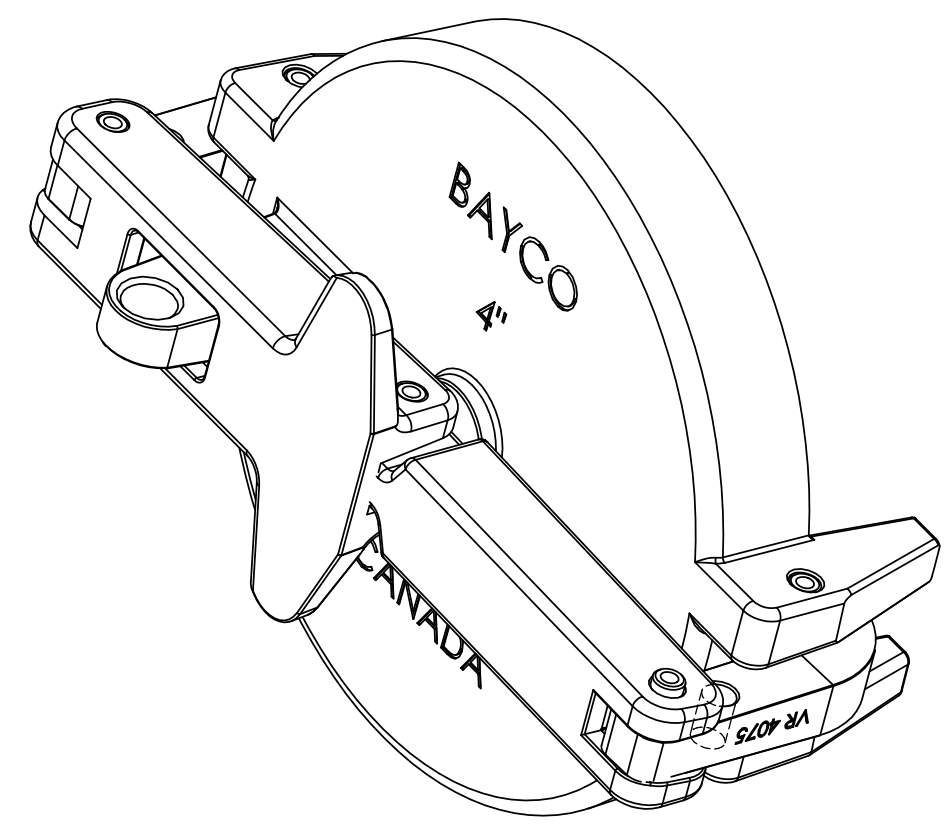
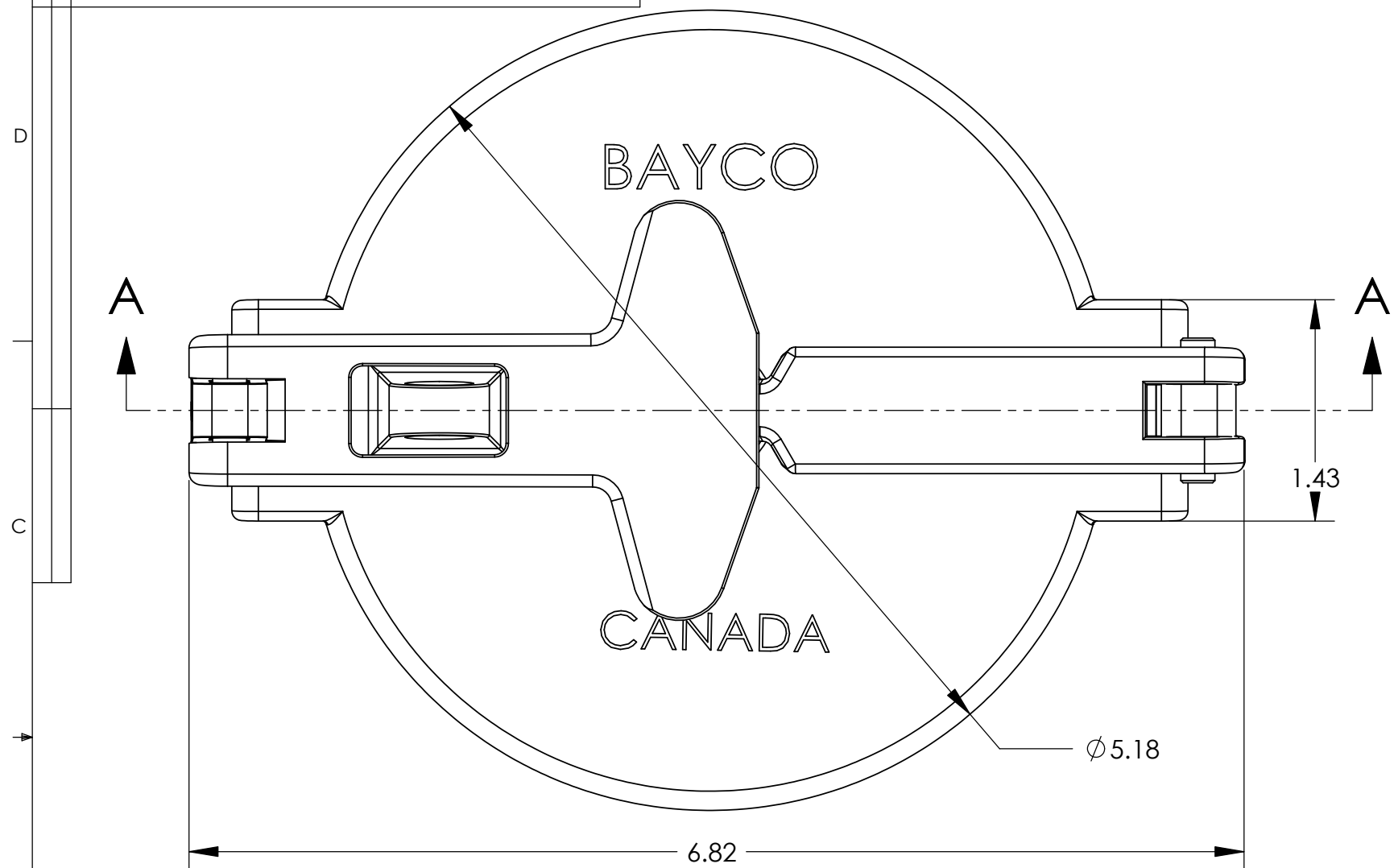


THE INFORMATION CONTAINED IN THIS DRAWING IS THE SOLE PROPERTY OF DIXON-BAYCO IND. ANY REPRODUCTION IN PART OR WHOLE WITHOUT THE WRITTEN PERMISSION OF DIXON BAYCO IS PROHIBITED.

REVISION TABLE				
REV.	ECO	DESCRIPTION	DATE	APPROVED
**	**	**	**	**



DIMENSIONS ARE IN INCHES UNLESS OTHERWISE SPECIFIED		DIXON BAYCO		DIXON BAYCO LIMITED	
TOLERANCES ARE:		CAD GENERATED DRAWING; DO NOT MANUALLY UPDATE		2200 LOGAN AVE. WINNIPEG, MB. R2R 0J2	
FRACTIONS DECIMALS ANGLES		DO NOT SCALE DRAWING		PHONE (204) 633-5650 FAX (204) 633-6119	
± 1/16 .XX ± .03 ± 1°		APPROVALS		TITLE	
.XXX ± .010		DRAWN BY JEE		VR4050AL VAPOUR RECOVERY DUST CAP	
MATERIAL --		DATE DEC 08 2003		SIZE DWG. NO.	
FINISH --				B 450289 - CUSTOMER DRAWING	
				REV. 0	
				ECO 1741 SHEET 1 OF 1	