

| REVISIONS |             |      |          |
|-----------|-------------|------|----------|
| REV       | DESCRIPTION | DATE | APPROVED |
|           |             |      |          |
|           |             |      |          |

D

D

C

C

B

B

A

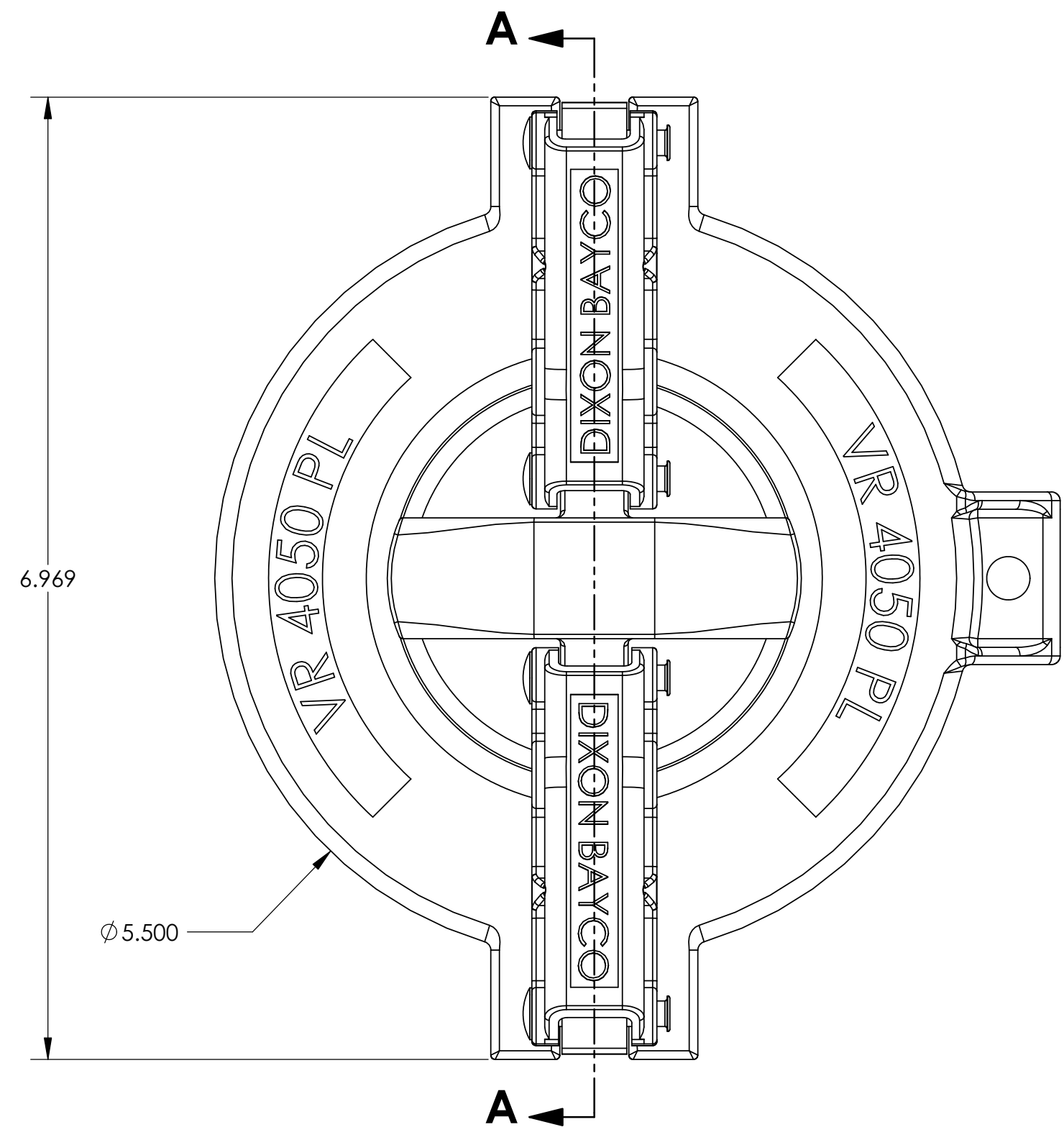
A

4

3

2

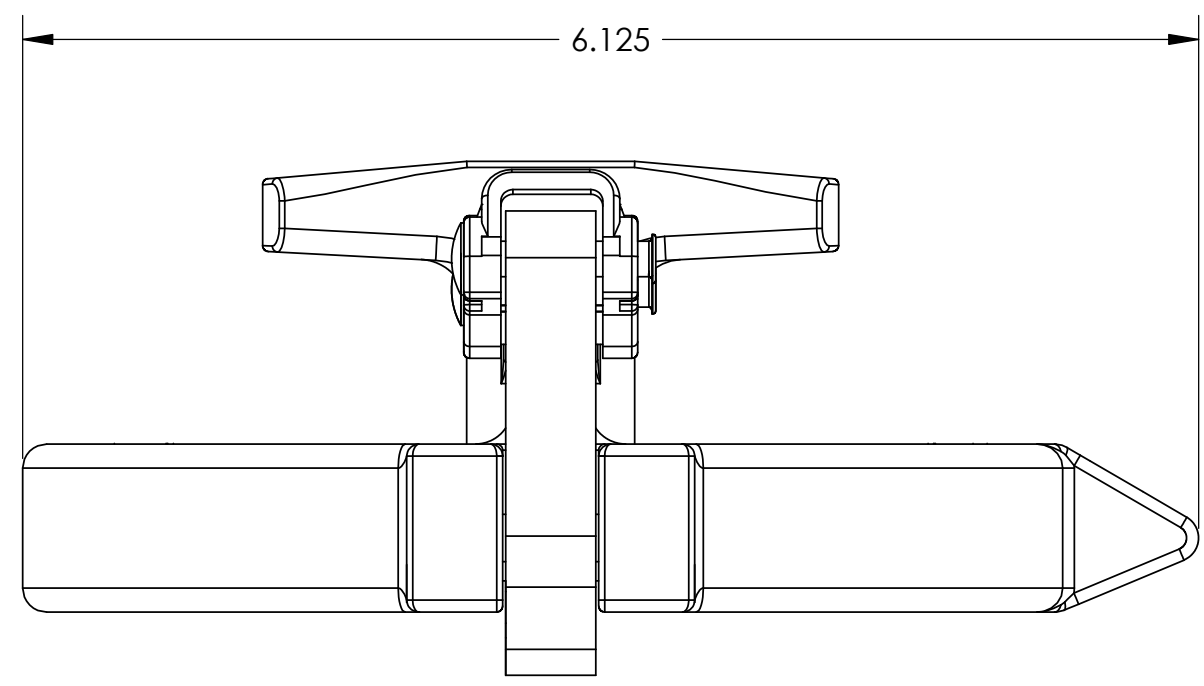
1



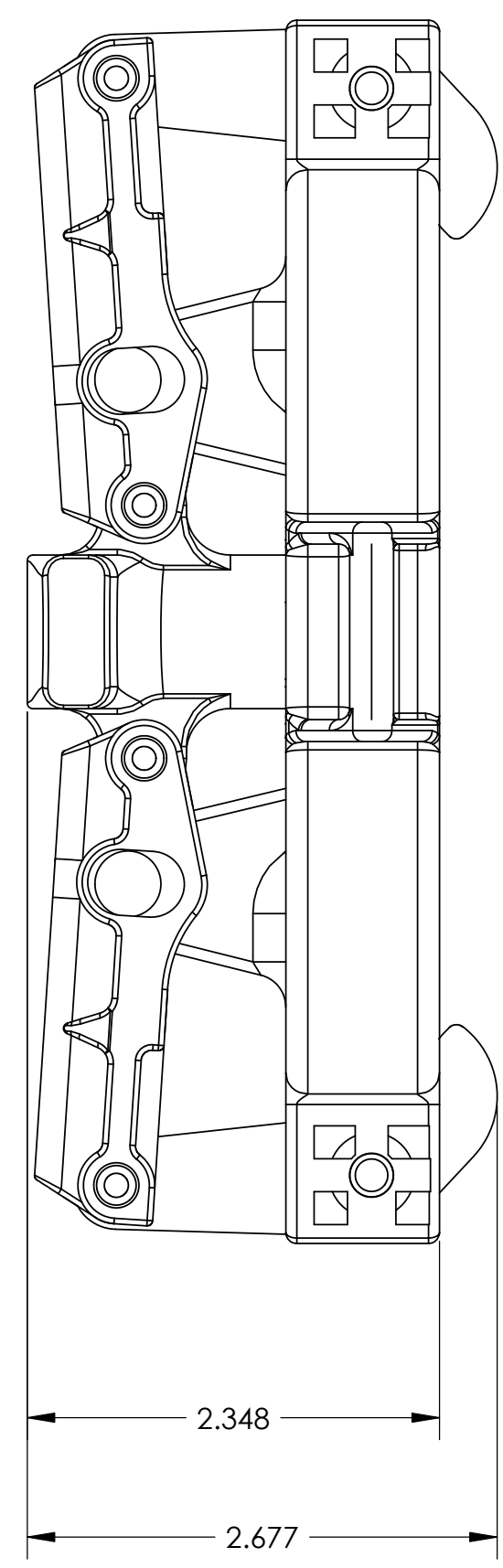
6.969

Ø 5.500

A

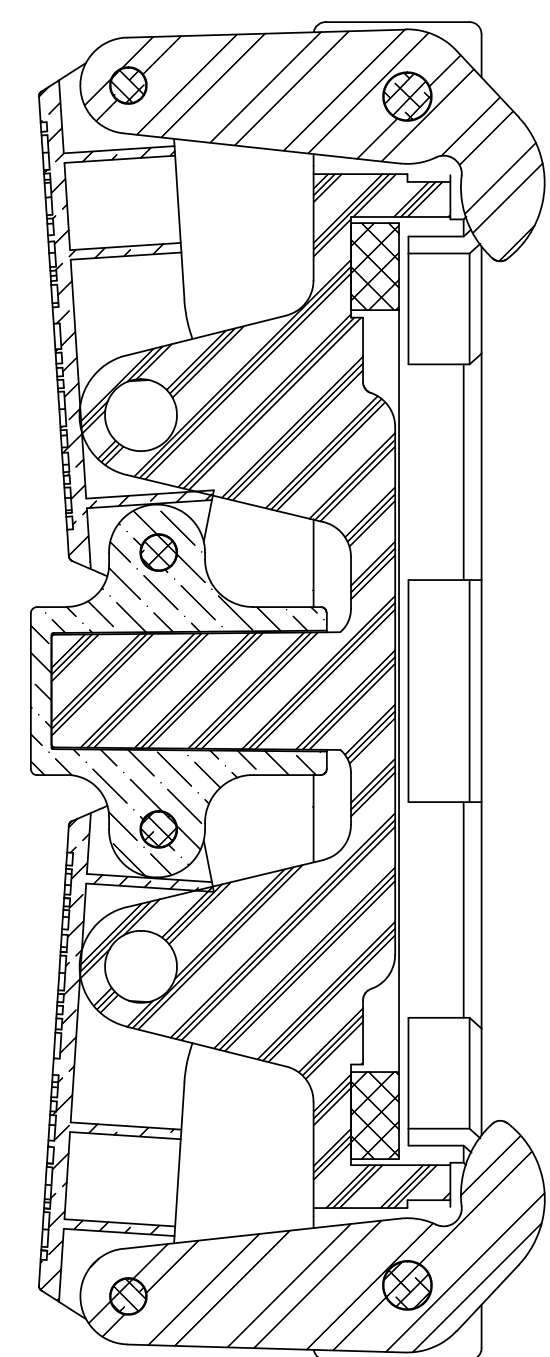


6.125



2.348

2.677



SECTION A-A

|   |   |                                    |                             |
|---|---|------------------------------------|-----------------------------|
| <b>Dixon Bayco USA</b>  |   | TITLE                              |                             |
| Cincinnati, Ohio, U.S.A<br>A DVCC Inc. Company  |   | <b>VR-4050-PL CUSTOMER DRAWING</b> |                             |
| <small>THIS DRAWING IS CONFIDENTIAL PROPERTY OF DIXON BAYCO USA, A DIVISION OF DVCC AND IS SUBJECT TO RETURN ON DEMAND. © COPYRIGHT 2000 DO NOT COPY.</small> |   |                                    |                             |
| <small>DIM. TOLERANCES UNLESS SPECIFIED</small>   | <small>INCHES .X +/- .050 MACHINE FRACTION +/- 1/64</small>       | SIZE                               | REV                         |
| <small>.XX +/- .010 ROUGH CASTING +/- 1/32</small>  | <small>.XXX +/- .005 SURF. FINISH 125 AA MAX ANGLES -1/2"</small> | <b>C</b>                           | <b>FAHL</b>                 |
| SCALE FULL  |   | DATE 20MAY2004                     | DWG NO. <b>VR4050PL-CST</b> |
|   |   | SHEET 1 OF 1                       |                             |

4

3

2

1