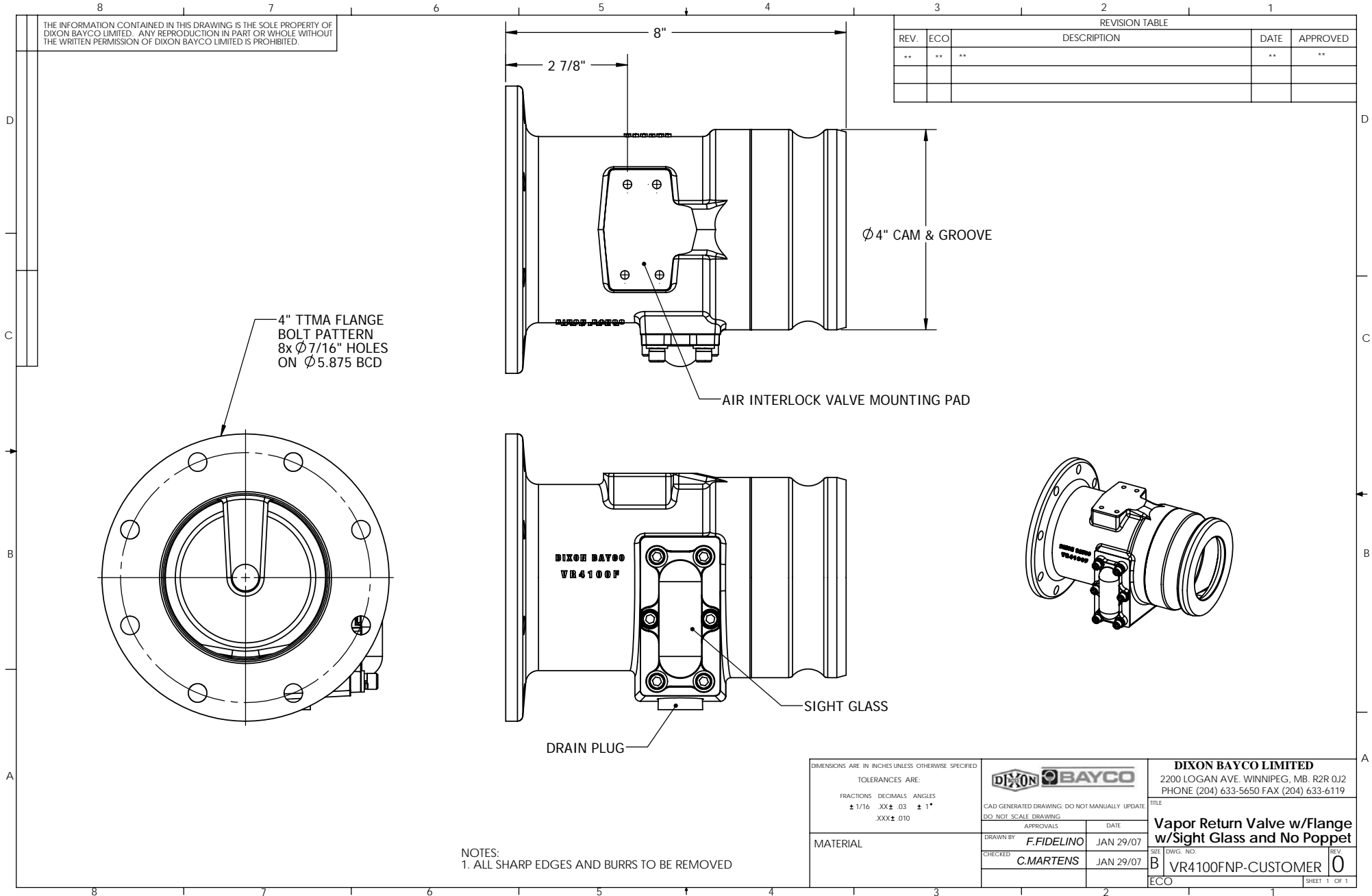


THE INFORMATION CONTAINED IN THIS DRAWING IS THE SOLE PROPERTY OF DIXON BAYCO LIMITED. ANY REPRODUCTION IN PART OR WHOLE WITHOUT THE WRITTEN PERMISSION OF DIXON BAYCO LIMITED IS PROHIBITED.

REVISION TABLE				
REV.	ECO	DESCRIPTION	DATE	APPROVED
**	**	**	**	**



4" TTMA FLANGE
BOLT PATTERN
8x ϕ 7/16" HOLES
ON ϕ 5.875 BCD

AIR INTERLOCK VALVE MOUNTING PAD

DIXON BAYCO
VR4100F

SIGHT GLASS

DRAIN PLUG

NOTES:
1. ALL SHARP EDGES AND BURRS TO BE REMOVED

DIMENSIONS ARE IN INCHES UNLESS OTHERWISE SPECIFIED
TOLERANCES ARE:
FRACTIONS DECIMALS ANGLES
 \pm 1/16 XX \pm .03 \pm 1°
XXX \pm .010



CAD GENERATED DRAWING. DO NOT MANUALLY UPDATE.
DO NOT SCALE DRAWING

MATERIAL

APPROVALS	DATE
DRAWN BY F.FIDELINO	JAN 29/07
CHECKED C.MARTENS	JAN 29/07

DIXON BAYCO LIMITED
2200 LOGAN AVE. WINNIPEG, MB. R2R 0J2
PHONE (204) 633-5650 FAX (204) 633-6119

TITLE

Vapor Return Valve w/Flange w/Sight Glass and No Poppet

SIZE	DWG. NO.	REV.
B	VR4100FNP-CUSTOMER	0

ECO SHEET 1 OF 1