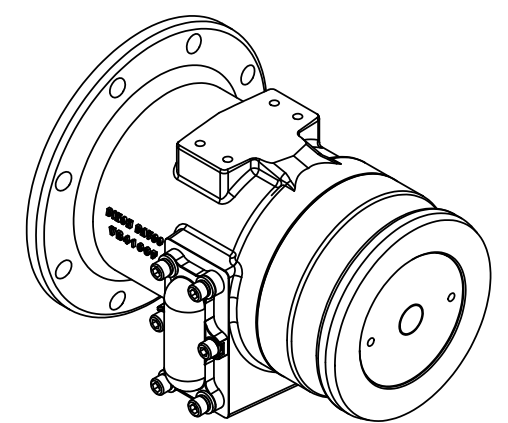
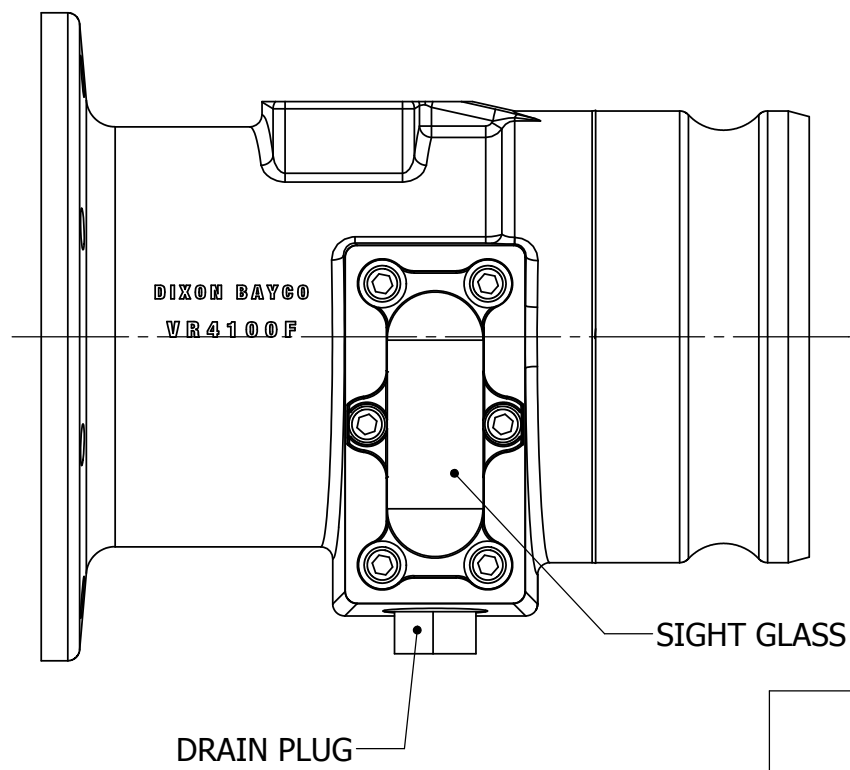
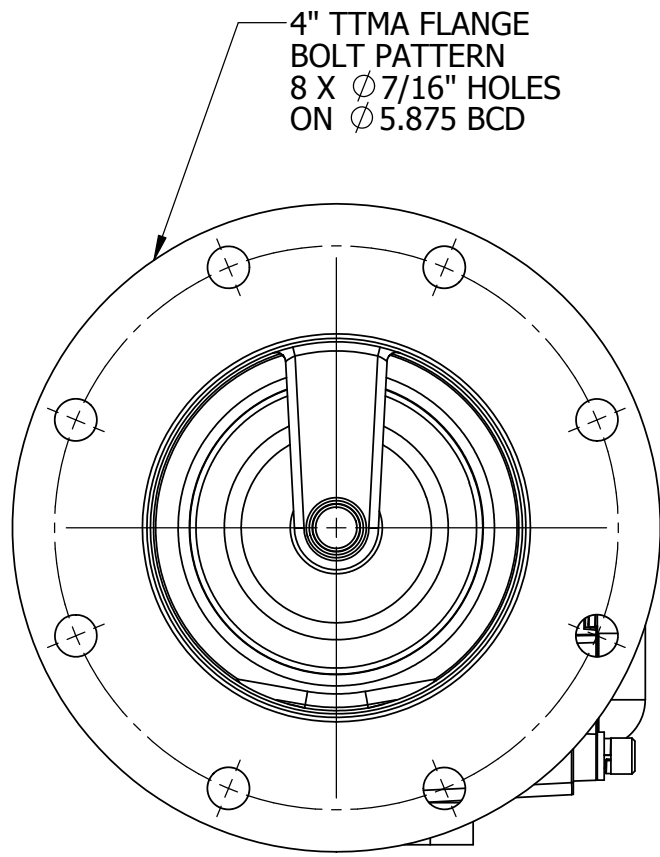
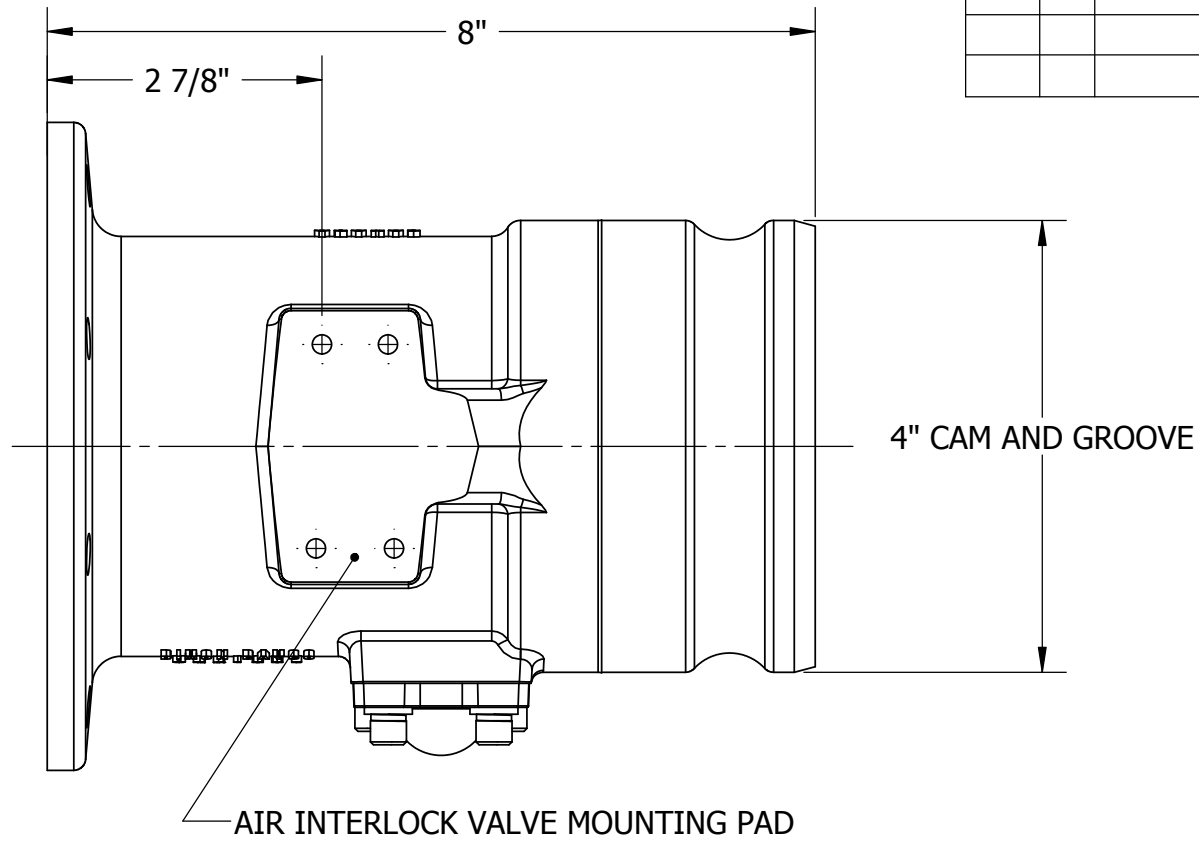


THE INFORMATION CONTAINED IN THIS DRAWING IS THE SOLE PROPERTY OF DIXON BAYCO LIMITED. ANY REPRODUCTION IN PART OR WHOLE WITHOUT THE WRITTEN PERMISSION OF DIXON BAYCO LIMITED IS PROHIBITED.

REVISION TABLE				
REV.	ECO	DESCRIPTION	DATE	APPROVED
**	**	**	**	**



DIXON BAYCO LIMITED
2200 LOGAN AVE. WINNIPEG, MB. R2R 0J2
PHONE (204) 633-5650 FAX (204) 633-6119

CAD GENERATED DRAWING; DO NOT MANUALLY UPDATE.
DO NOT SCALE DRAWING

APPROVALS		DATE
DRAWN BY	C.M.	APR 10/06
CHECKED	R.F.	APR 10/06

TITLE		REV.
Vapor Return Valve w/Flange w/Sight Glass and Poppet		
SIZE	DWG. NO.	0
B	VR4100F_CUSTOMER	
ECO 2012		SHEET 1 OF 1