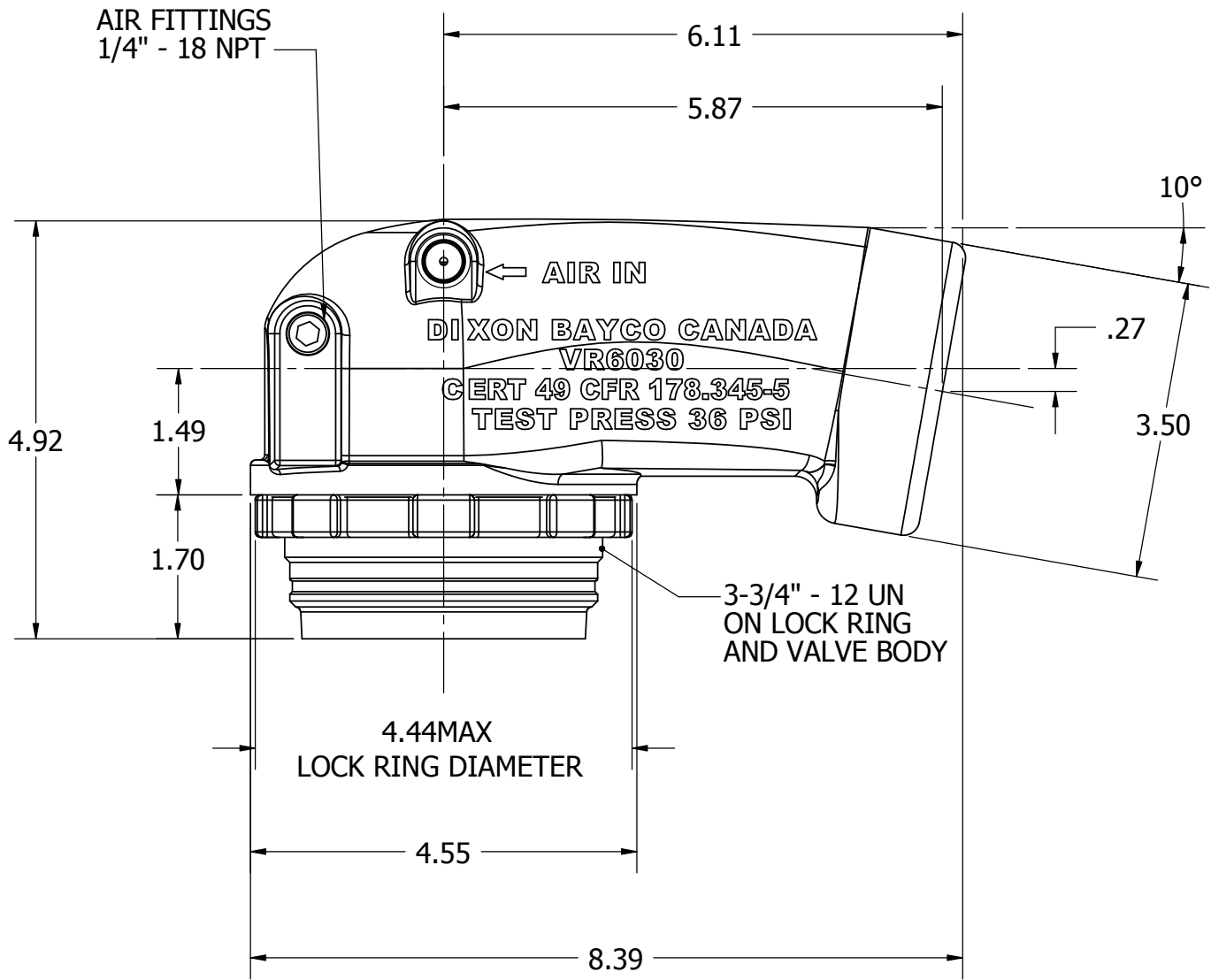


REVISIONS TABLE

REV.	ECO	DESCRIPTION	DATE	APPROVED
-	-	-	-	-



FOR SALES USE ONLY

UNLESS OTHERWISE SPECIFIED  
DIMENSIONS ARE IN INCHES.  
TOLERANCES ARE:

FRACTIONS	DECIMALS	ANGLES
± 1/32	.XX ± .03	± 1°
	.XXX ± .010	

**DIXON BAYCO LIMITED**

2200 LOGAN AVE. WINNIPEG, MB. R2R 0J2

PHONE (204) 633-5650 FAX (204) 633-6119

DWG. NO. 452078

TITLE  
VR6030SQ SEQUENTIAL VAPOR  
VALVE - FOR 16" MANHOLE

MATERIAL xx

DONE BY	JEE	19 JUN 03
---------	-----	-----------

SIZE  
**A**

REV. 0

FINISH

DO NOT SCALE DRAWING

ECO

SHEET 1 OF 1