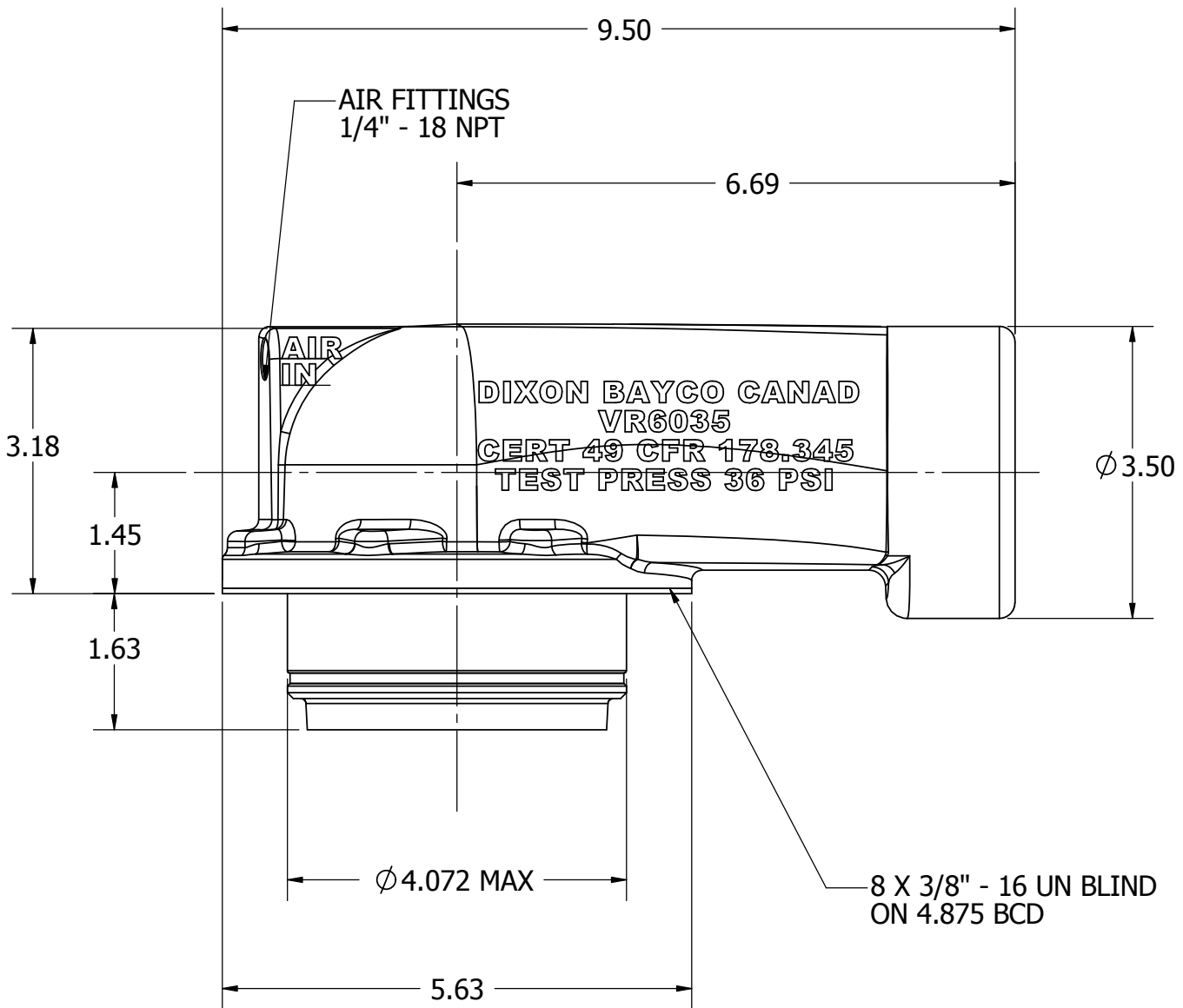


REVISIONS TABLE

| REV. | ECO | DESCRIPTION | DATE | APPROVED |
|------|-----|-------------|------|----------|
| -    | -   | -           | -    | -        |



FOR SALES USE ONLY

UNLESS OTHERWISE SPECIFIED  
DIMENSIONS ARE IN INCHES.  
TOLERANCES ARE:

|           |             |        |
|-----------|-------------|--------|
| FRACTIONS | DECIMALS    | ANGLES |
| ± 1/32    | .XX ± .03   | ± 1°   |
|           | .XXX ± .010 |        |

**DIXON BAYCO LIMITED**

2200 LOGAN AVE. WINNIPEG, MB. R2R 0J2

PHONE (204) 633-5650 FAX (204) 633-6119

DWG. NO.

452077

TITLE

VR6035SQ - SEQUENTIAL VAPOR  
VALVE FOR 20" MANHOLE

MATERIAL xx

DONE BY *JEE*

18 JUN 03

SIZE

**A**

REV. **0**

CHECKED *XXX*

xxx

FINISH

DO NOT SCALE DRAWING

ECO

SHEET 1 OF 1