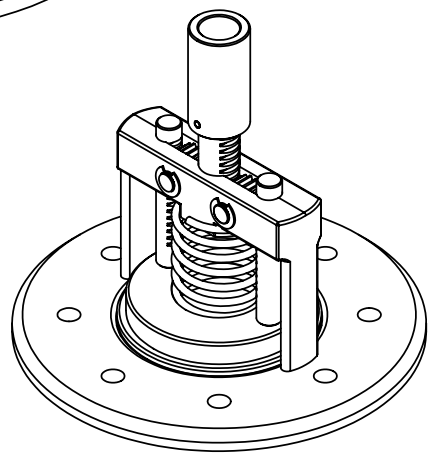
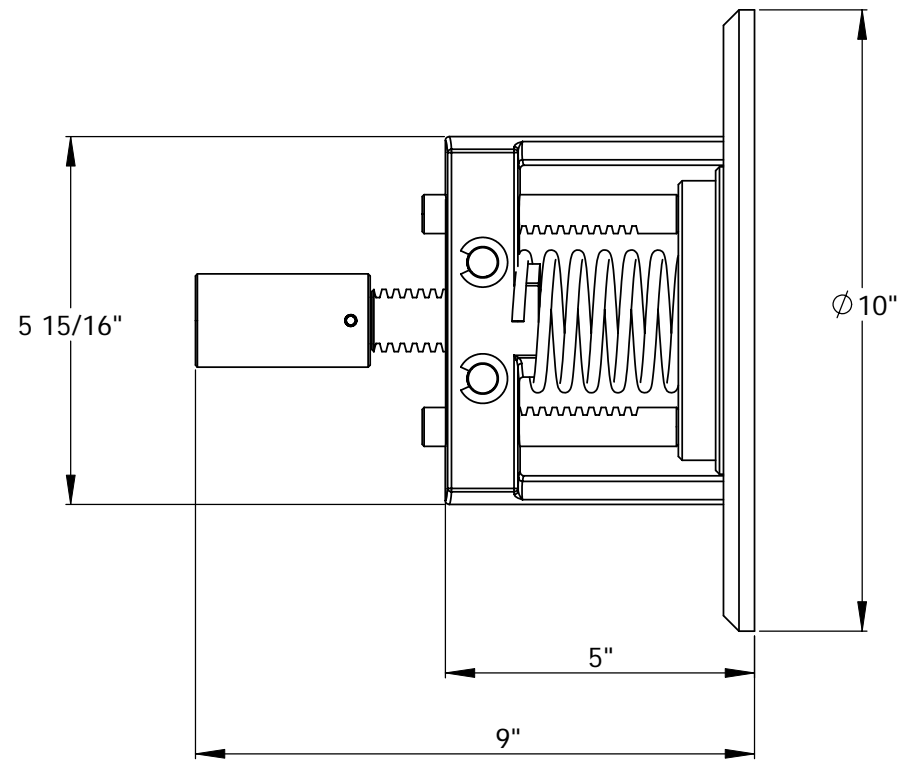
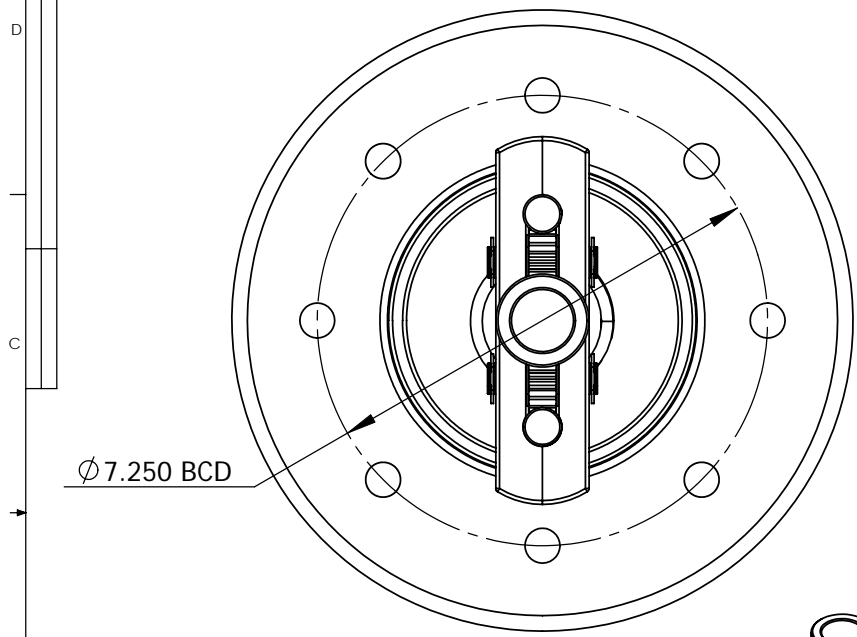


THE INFORMATION CONTAINED IN THIS DRAWING IS THE SOLE PROPERTY OF DIXON-BAYCO INC. ANY REPRODUCTION IN PART OR WHOLE WITHOUT THE WRITTEN PERMISSION OF DIXON BAYCO IS PROHIBITED.

REVISION TABLE				
REV.	ECO	DESCRIPTION	DATE	APPROVED
..



DIMENSIONS ARE IN INCHES UNLESS OTHERWISE SPECIFIED		DIXON BAYCO		DIXON BAYCO LIMITED	
TOLERANCES ARE: FRACTIONS DECIMALS ANGLES		CAD GENERATED DRAWING; DO NOT MANUALLY UPDATE		2200 LOGAN AVE. WINNIPEG, MB. R2R 0J2 PHONE (204) 633-5650 FAX (204) 633-6119	
MATERIAL --		DO NOT SCALE DRAWING		TITLE	
FINISH --		APPROVALS		VR6050N	
		DRAWN BY <i>F. Fidelino</i>		5" INWARD OPENING	
		DATE Jan 25/08		REV. 0	
		DRAWN BY <i>R. Fahl</i>		DATE Jan 25/08	
		DATE Jan 25/08		SIZE DWG. NO. B	
		DATE Jan 25/08		VR6050N CUSTOMER DRAWING	
		DATE Jan 25/08		ECO	
		DATE Jan 25/08		SHEET 1 OF 1	