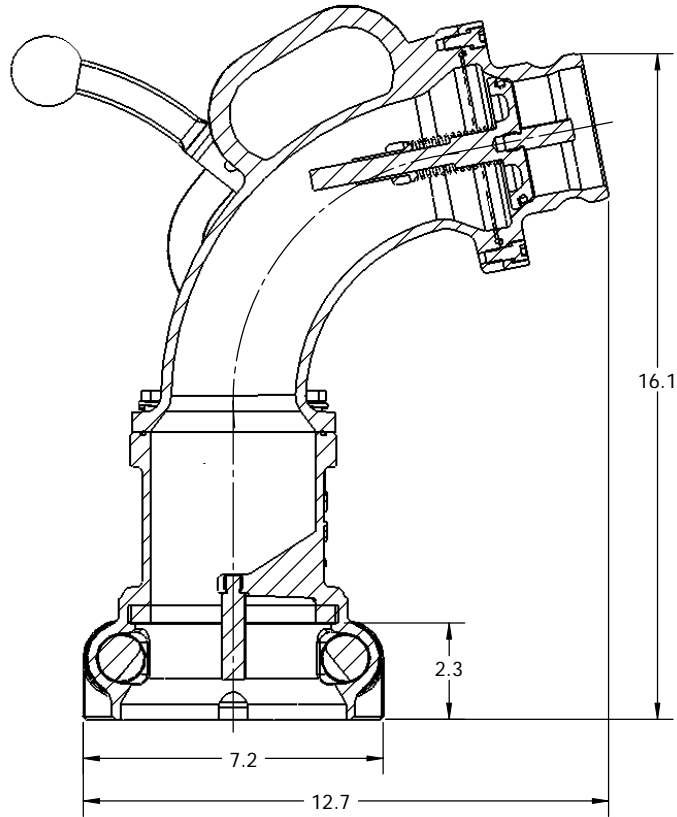
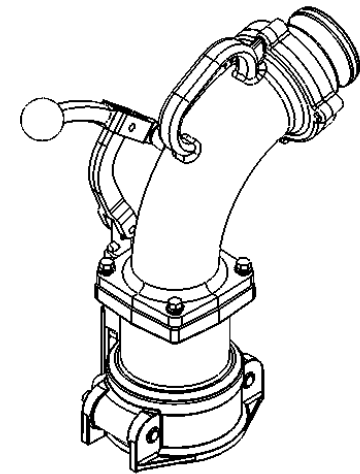
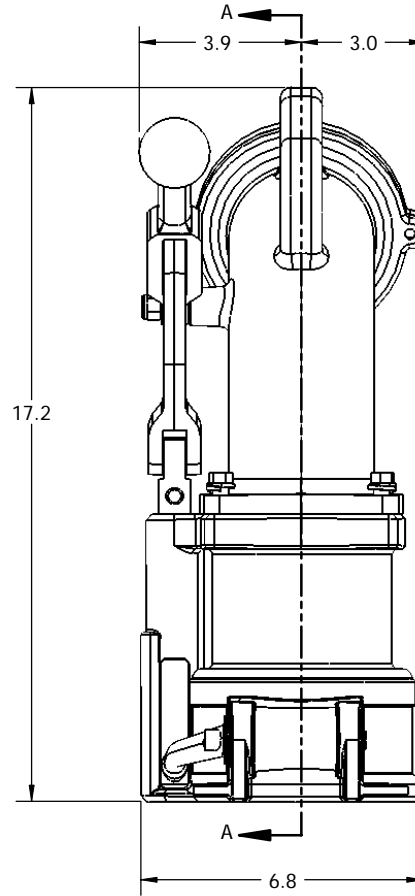


THE INFORMATION CONTAINED IN THIS DRAWING IS THE SOLE PROPERTY OF DIXON BAYCO LIMITED. ANY REPRODUCTION IN PART OR WHOLE WITHOUT THE WRITTEN PERMISSION OF DIXON BAYCO LIMITED IS PROHIBITED.

REVISION TABLE				
REV.	ECO	DESCRIPTION	DATE	APPROVED



SECTION A-A
SCALE 1 : 3



DIMENSIONS ARE IN INCHES UNLESS OTHERWISE SPECIFIED
TOLERANCES ARE:
FRACTIONS DECIMALS ANGLES



CAD GENERATED DRAWING. DO NOT MANUALLY UPDATE.
DO NOT SCALE DRAWING.

MATERIAL

APPROVALS	DATE
DRAWN BY <i>F. Fidelino</i>	Aug. 13/08
CHECKED <i>H. Roche</i>	Aug. 13/08

DIXON BAYCO LIMITED
2200 LOGAN AVE. WINNIPEG, MB. R2R 0J2
PHONE (204) 633-5650 FAX (204) 633-6119

TITLE		REV.	
VR6200 Vapour Elbow		0	
SIZE	DWG. NO.	CUSTOMER DRAWING	
B	450292	DRAWING	

SHEET 1 OF 1