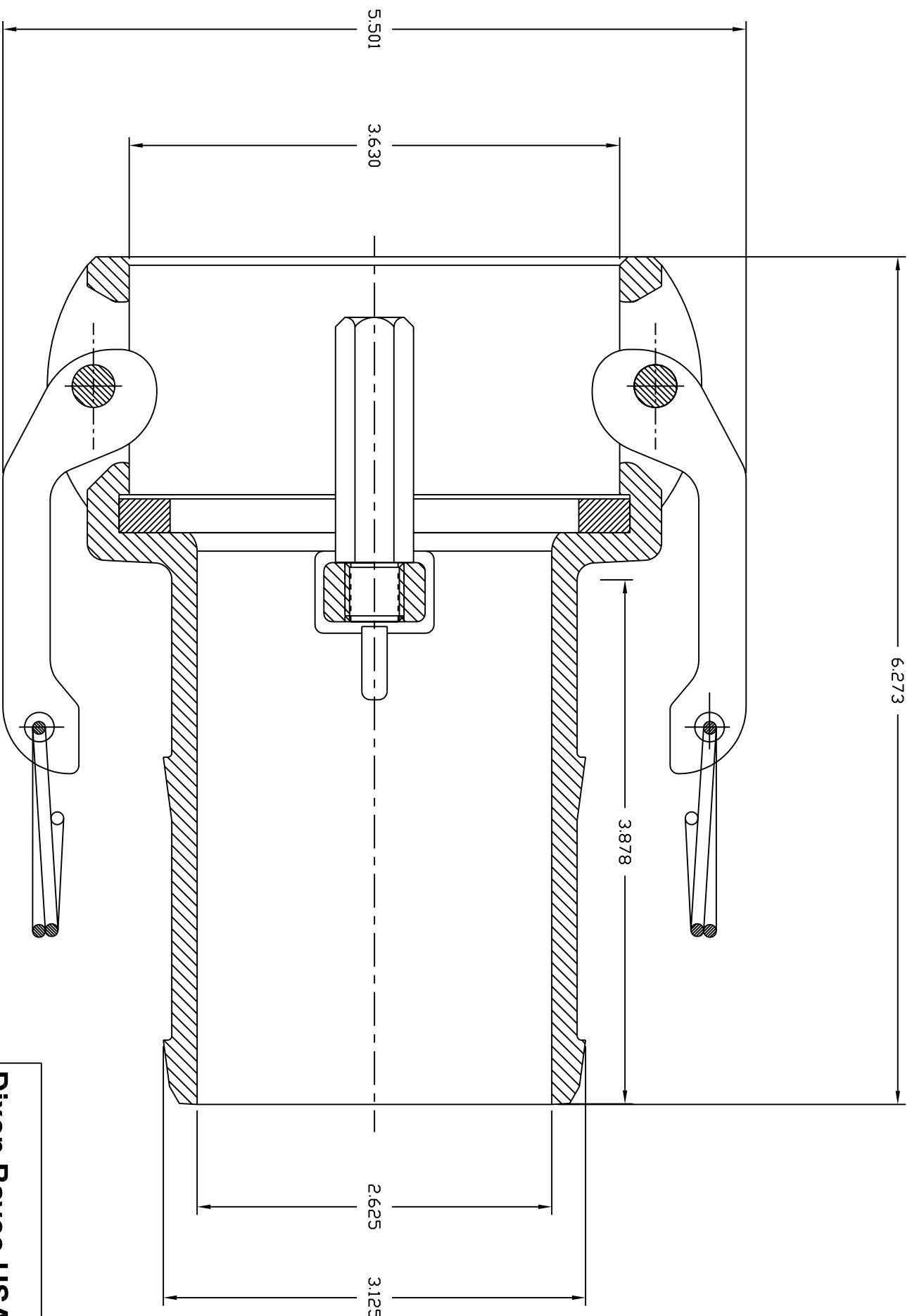


REVISIONS			
REV	DESCRIPTION	DATE	APPROVED



Dixon Bayco USA
Cincinnati, Ohio, U.S.A
A DVCC Inc. Company

TITLE
VRC3000-AL
3" TYPE 'C' VAPOR COUPLER

THIS DRAWING IS CONFIDENTIAL PROPERTY OF DIXON BAYCO USA, A DIVISION OF DVCC AND IS SUBJECT TO RETURN ON DEMAND. © COPYRIGHT 2000 DO NOT COPY.

DIM. TOLERANCES UNLESS SPECIFIED:
INCHES .X +/-.050 MACHINE FRACTION +/- 1/64
.XX +/-.010 ROUGH CASTING +/- 1/32
.XXX +/- .005

SIZE	DRAWN BY	DWG. NO.	REV
B	W.M.	VRC3000AL-CST	-

SCALE NONE DATE 26APR1991 SHEET 1 OF 1