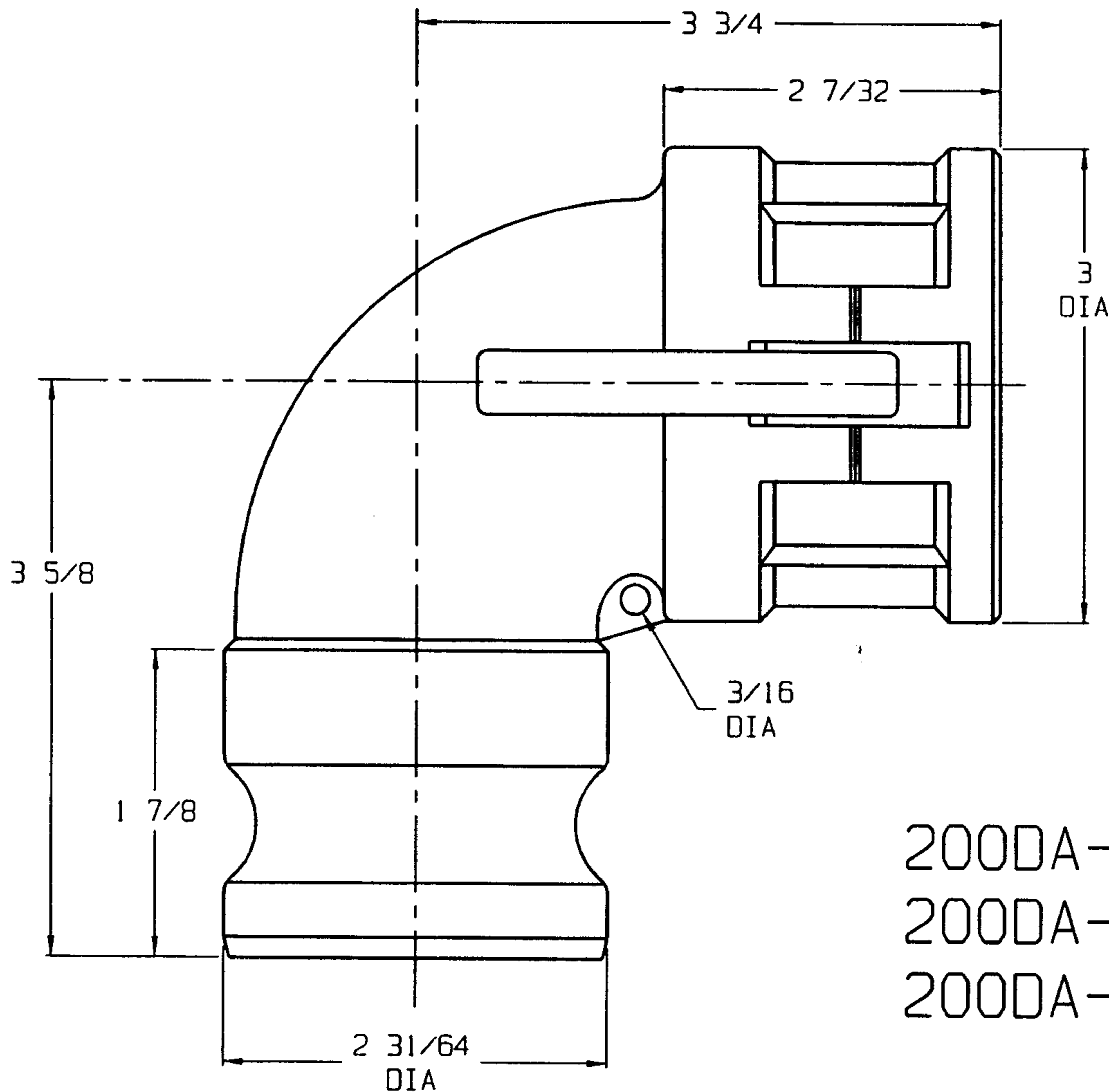


3300

6/8/09

CUSTOMER DWG



DIMENSION ACROSS OPEN
CAM ARMS: 7 13/16

200DA-90AL
200DA-90BR
200DA-90MI

CUSTOMER DWG

AGREEMENT TO MAINTAIN CONFIDENTIALITY

This drawing is owned by Dixon Valve & Coupling Co. and shall be returned upon demand. It is loaned on condition that it shall not be copied or reproduced or submitted to others without the owners consent. In accepting it subject to this condition the recipient further agrees that this drawing or any design detail or concept disclosed herein shall not be used in any way detrimental to or in competition with the Owner. If the recipient does not agree to the terms of this agreement, they shall return this drawing immediately.



The Right Connection™

DIXON VALVE & COUPLING CO.		
U. S. A.		
TITLE 2" COUPLER x 90° ADAPTER		
DRAWN BY: KRISTY 08/29/01	CHECKED BY: MDS 8/30/01	APPROVAL: [Signature] 8/30/01
MAT'L ALUMINUM, BRASS, & MALLEABLE IRON		3300