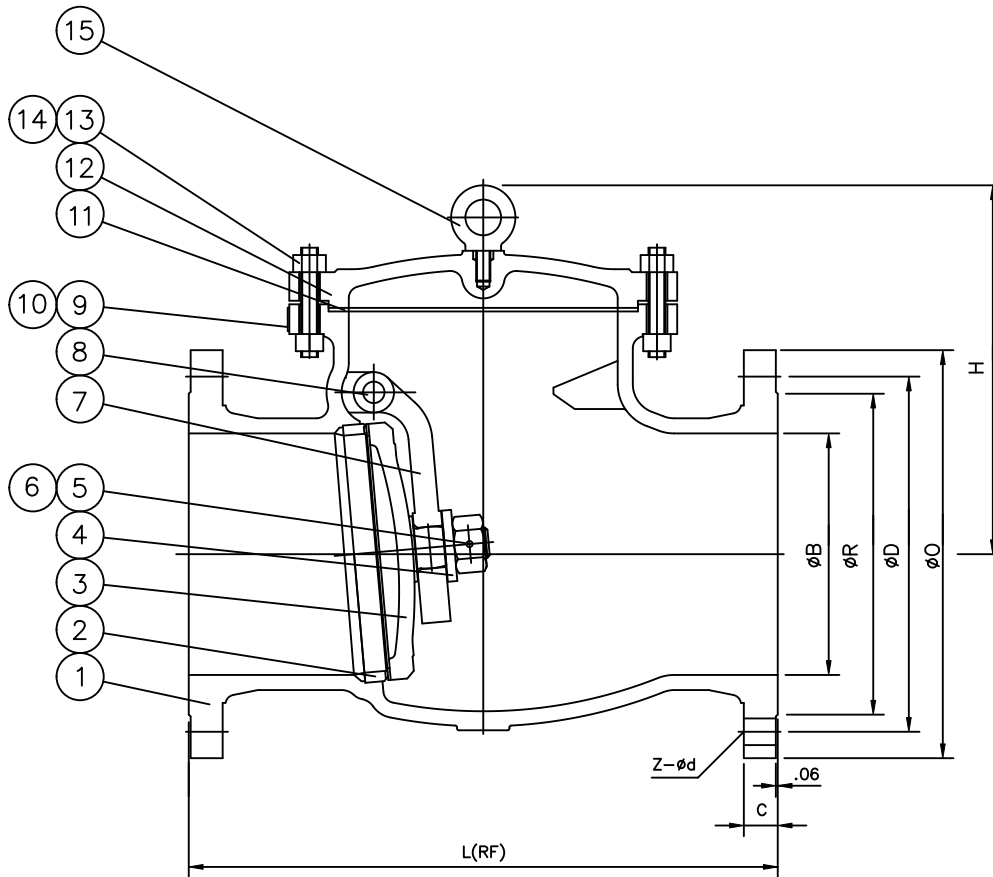
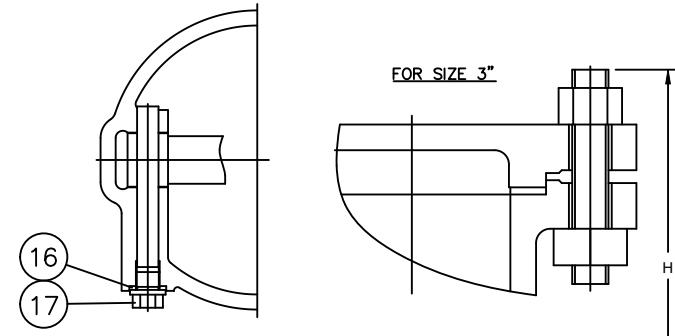


REV.	ECN	DESCRIPTION	DATE	DRAWN BY	APPROVED
00	-	ORIGINAL ISSUE - RND# 000073	11/1/22	CK	DF
01	ECN000906	ADDED Cv VALUES TO DIMENSION CHART	12/5/22	CK	DF

NO.	PART NAME	MATERIAL
1	BODY	A216 WCB
2	SEAT RING	ASTM A105+STL
3	DISC	A216 WCB+410
4	WASHER	304
5	DISC NUT	A194 2H
6	DISC PIN	304
7	HINGE	A216 WCB
8	PIN	A276 420
9	NAMEPLATE	A666 304
10	RIVET	A666 304
11	GASKET	304 SHEET+GRAPHITE
12	COVER	A216 WCB
13	BOLT	A193 B7
14	NUT	A194 2H
15	EYEBOLT	AISI 1025
16	GASKET	304+GRAPHITE
17	PLUG	ASTM A105



SPECIFICATION:
 *BASIC DESIGN: API 594
 *END FLANGE: ASME B16.5
 *FACE TO FACE: ASME B16.10



SIZE	DIXON P/N	ØB	L(RF)	ØO	ØD	ØR	C	Z-Ød	H	WEIGHT	Cv
3"	D891008-300	3.00	9.50	7.50	6.00	5.00	0.75	4-0.75	6.26	50.7 LBS.	108.4
4"	D891008-400	4.00	11.50	9.00	7.50	6.19	0.94	8-0.75	8.23	84.9 LBS.	197.9
6"	D891008-600	6.00	14.00	11.00	9.50	8.50	1.00	8-0.87	9.88	134.5 LBS.	445.2
8"	D891008-800	8.00	19.50	13.50	11.75	10.62	1.12	8-0.87	12.20	227.1 LBS.	799.4



DIXON VALVE AND COUPLING COMPANY
 6525 HOMESTEAD RD., HOUSTON, TX 77028, USA
 (713) 678-4291 (877) 963-4966

CAST STEEL SWING CHECK VALVE
 3", 4", 6", 8" CLASS 150

SIZE A	DWG NO. D891008	REV 01
-----------	--------------------	-----------

5

4

3

2

1