

SSV-Series Single Seat Valve



Used in sanitary processes for the isolation or diversion of fluids. The valve is 3A certified to be cleaned-in-place and is constructed from FDA approved materials.

These valves can be found in the food processing, beverage, dairy, personal care, winery, brewery, and pet product markets.

Sizes

- 1" to 4"

Features

- Available with a pneumatic actuator or manual handle
- Burkert™ Control Top Model No.s 8691 and 8692 are available

NOTE: See part number key for configurations available

Specifications

- Standard clamp connections
- Valve data
 - Maximum pressure: see holding pressure chart
 - Maximum operating temperature: **266°F (130°C)**
 - Maximum sterilization temperature (20 minutes maximum): **275°F (135°C)**
 - Maximum ambient temperature: **140°F (60°C)**
- Actuator data
 - Connections: 1/8" NPT with 1/4" tube push-in connection
 - Control air pressure
 - Spring return maximum pressure: **80 PSI (5.5 bar)**
 - Double acting maximum pressure: **45 PSI (3.1 bar)**
 - Maximum temperature: **176°F (80°C)**
 - Solids content
 - Maximum particle size: 5 µm
 - Maximum particle density: 5 mg/m³
 - Oil content
 - Maximum oil: 25 mg/m³ (oil free quality class 3)
- Materials of construction
 - Product contact metal components: AISI 316L
 - Non-product contact metal components: AISI 304
 - Product contact seals: EPDM, FKM, or PTFE
- Surface finish
 - Product contact metal components: Ra ≤ 32
 - Non-product contact metal components: Ra ≤ 63 polished
- Device sound emission level: ≤ 70 dB(A)



SSV-Series Single Seat Valve - Part Number Key

| SSV-Series Single Seat Valve Part Number Key Example: S01A10C1EEA | | Series | Valve Body | | | | Actuation Type | Stem Type | Wetted Elastomers | Options |
|--|-------------|---------------------------------------|------------|---|----|---|----------------|-----------|-------------------|---------|
| | | S | 01 | A | 10 | C | 1 | E | E | A |
| Series | Code | NOTE: Part Key continues on next page | | | | | | | | |
| Shut off | S | | | | | | | | | |
| Divert | D | | | | | | | | | |
| Valve Body Style (See Diagram A) | Code | | | | | | | | | |
| L (2-port shut-off) | 01 | | | | | | | | | |
| T (3-port shut-off) | 02 | | | | | | | | | |
| Y (2-port shut-off) | 03 | | | | | | | | | |
| F (3-port shut-off) | 04 | | | | | | | | | |
| F-90 (3-port divert) top port rotated 90° CW | 49 | | | | | | | | | |
| L/L (3-port divert) | 05 | | | | | | | | | |
| L/L-90 (3-port divert) top port rotated 90° CW | 59 | | | | | | | | | |
| T/L (4-port divert) | 06 | | | | | | | | | |
| T/L-90 (4-port divert) top port rotated 90° CW | 69 | | | | | | | | | |
| L/T (4-port divert) | 07 | | | | | | | | | |
| L/T-90 (4-port divert) top port rotated 90° CW | 79 | | | | | | | | | |
| T/T (5-port divert) top port rotated 90° CW | 08 | | | | | | | | | |
| T/T-90 (5-port divert) top port rotated 90° CW | 89 | | | | | | | | | |
| Surface Finish | Code | | | | | | | | | |
| 32 Ra (I.D. mech. polish) | A | | | | | | | | | |
| 25 Ra (I.D. mech. polish) | B | | | | | | | | | |
| 20 Ra (I.D. mech. polish) | C | | | | | | | | | |
| 15 Ra (I.D. mech. polish) | D | | | | | | | | | |
| Valve Size | Code | | | | | | | | | |
| 1" | 10 | | | | | | | | | |
| 1-1/2" | 15 | | | | | | | | | |
| 2" | 20 | | | | | | | | | |
| 2-1/2" | 25 | | | | | | | | | |
| 3" | 30 | | | | | | | | | |
| 4" | 40 | | | | | | | | | |
| Connections | Code | | | | | | | | | |
| Clamp | C | | | | | | | | | |
| Weld | B | | | | | | | | | |
| Female I-line | F | | | | | | | | | |
| Male I-line | M | | | | | | | | | |
| Threaded bevel | T | | | | | | | | | |
| Plain bevel | P | | | | | | | | | |
| Q-Line | Q | | | | | | | | | |
| Combination (see table 1) | - | | | | | | | | | |

| A-Port | B-Port | C-Port | D-Port | E-Port | Port Diagram |
|-------------|--------|-------------|-------------|-------------|--------------|
| C | C | C | C | C | |
| B | B | B | B | B | |
| F | F | F | F | F | |
| M | M | M | M | M | |
| T | T | T | T | T | |
| P | P | P | P | P | |
| Q | Q | Q | Q | Q | |
| N (no port) | - | N (no port) | N (no port) | N (no port) | |

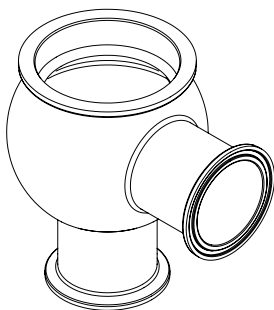
SSV-Series Single Seat Valve - Part Number Key

| SSV-Series Single Seat Valve Part Number Key Example: S01A10C1EEA | | Series | Valve Body | | | | Actuation Type | Stem Type | Wetted Elastomers | Options |
|--|-------------|--------|------------|---|----|---|----------------|-----------|-------------------|---------|
| | | S | 01 | A | 10 | C | 1 | E | E | A |
| Actuation Type | Code | | | | | | | | | |
| Pneumatic spring return (air-to-raise) | 1 | | | | | | | | | |
| Pneumatic spring return (air-to-lower) | 2 | | | | | | | | | |
| Pneumatic double acting (air-to-air) | 3 | | | | | | | | | |
| Manual handle | 4 | | | | | | | | | |
| Stem Type | Code | | | | | | | | | |
| Elastomer O-ring stem seal | E | | | | | | | | | |
| PTFE plug seal | P | | | | | | | | | |
| Wetted Elastomers | Code | | | | | | | | | |
| EPDM | E | | | | | | | | | |
| FKM | V | | | | | | | | | |
| Options | Code | | | | | | | | | |
| 10-30 VDC External Prox, PNP, (Qty 2) | A | | | | | | | | | |
| 10-30 VDC External Prox, NPN, (Qty 2) | B | | | | | | | | | |
| 20-253 VAC External Prox, (Qty 2) | C | | | | | | | | | |
| 110 VAC External Prox, (Qty 2) | D | | | | | | | | | |
| Burkert 8691, Single Acting, DeviceNet, Multipin | E | | | | | | | | | |
| Burkert 8691, Single Acting, AS-i, Multipin | F | | | | | | | | | |
| Burkert 8691, Single Acting, 24VDC, Multipin | G | | | | | | | | | |
| Burkert 8691, Double Acting, DeviceNet, Multipin | H | | | | | | | | | |
| Burkert 8691, Double Acting, AS-i, Multipin | J | | | | | | | | | |
| Burkert 8691, Double Acting, 24VDC, Multipin | K | | | | | | | | | |
| Burkert 8691, Without Solenoid, 24VDC, Multipin | L | | | | | | | | | |
| Burkert 8692 Positioner, 24VDC, 4-20mA, Multipin | P | | | | | | | | | |
| External Prox Bracket Only | Q | | | | | | | | | |

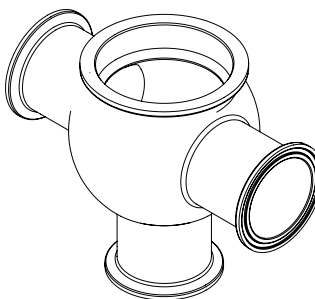
SSV-Series Single Seat Valve Body Styles (Diagram A)

Part Number Example:
 D06B20NBCCC2PVG
 Part Description: Divert Valve,
 T/L Body, 25 Ra Polish, 2", [No
 Port on A, Butt weld on Port B,
 Clamp Port C, Clamp on Port
 D, Clamp on Port E] Spring
 Return Air-to-Lower Actuator,
 PTFE Stem Seal, FKM wetted
 Elastomers, Burkert 8691
 Single Acting 24VDC Multipin

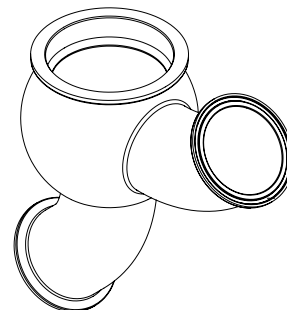
L-Body



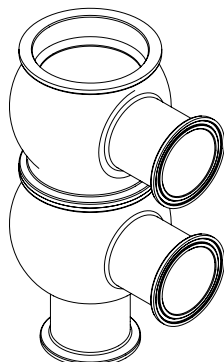
T-Body



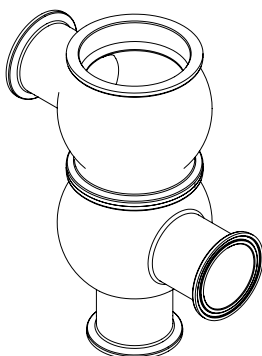
Y-Body



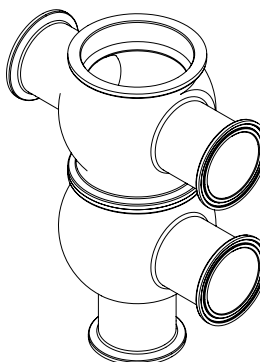
F-Body



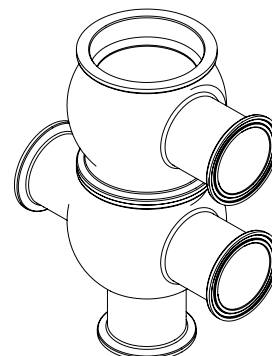
LL-Body



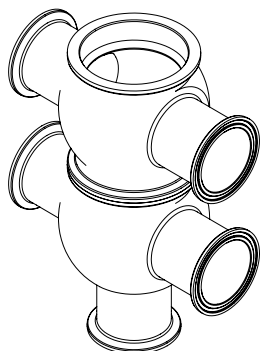
TL-Body



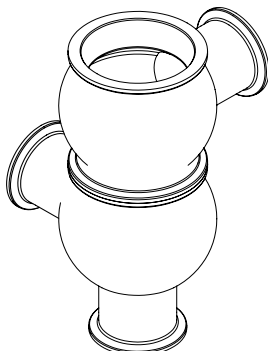
LT-Body



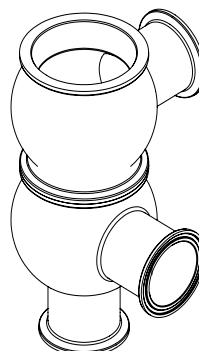
TT-Body



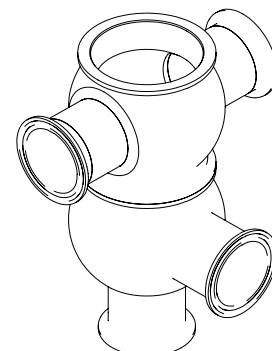
F-90 Body



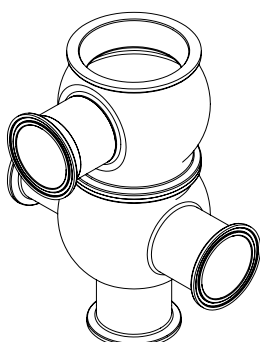
LL-90 Body



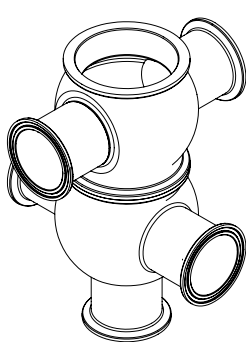
TL-90 Body



LT-90 Body



TT-90 Body



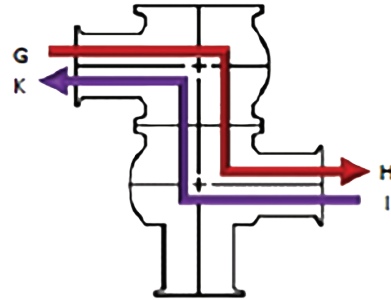
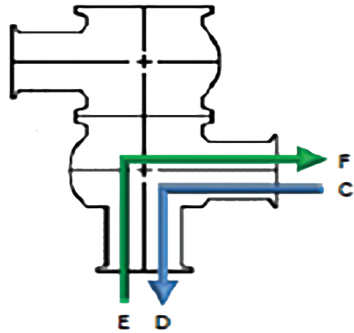
SSV-Series Single Seat Valve - Divert Pressure Drop Chart



| Δp [PSI] | Valve Size | | | | | | | |
|----------|------------|--------|--------|--------|--------|--------|--------|--------|
| | 1" | | | | 1-1/2" | | | |
| | C-D | E-F | G-H | I-K | C-D | E-F | G-H | I-K |
| | Q[GPM] | Q[GPM] | Q[GPM] | Q[GPM] | Q[GPM] | Q[GPM] | Q[GPM] | Q[GPM] |
| 3.6 | 26.40 | 25.52 | 27.10 | 26.84 | 65.34 | 63.27 | 67.19 | 66.44 |
| 7.3 | 37.40 | 36.08 | 38.28 | 38.02 | 92.40 | 89.50 | 95.04 | 94.16 |
| 14.5 | 52.67 | 51.04 | 54.16 | 53.77 | 130.68 | 126.54 | 134.77 | 133.32 |
| 21.8 | 64.68 | 62.48 | 66.44 | 65.82 | 160.16 | 155.01 | 164.56 | 163.24 |
| 29.0 | 74.49 | 72.16 | 76.56 | 76.03 | 184.80 | 179.08 | 190.08 | 188.54 |
| 36.3 | 83.29 | 80.70 | 85.67 | 84.92 | 206.62 | 200.20 | 212.52 | 210.76 |
| 43.5 | 91.21 | 88.44 | 93.85 | 93.10 | 226.34 | 219.16 | 232.76 | 231.00 |
| 50.8 | 98.56 | 95.48 | 101.20 | 100.58 | 244.51 | 236.72 | 251.24 | 249.48 |
| 58.0 | 105.34 | 102.08 | 107.49 | 107.36 | 261.36 | 253.09 | 268.40 | 266.64 |
| 65.3 | 111.76 | 108.24 | 114.84 | 113.96 | 277.20 | 268.40 | 285.12 | 282.92 |
| 72.5 | 117.74 | 114.14 | 121.18 | 120.12 | 292.16 | 282.92 | 300.52 | 298.32 |

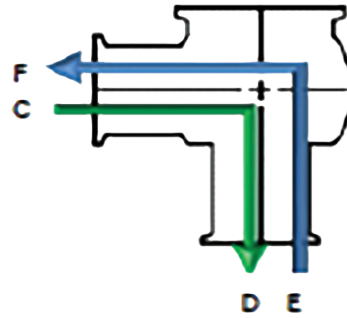
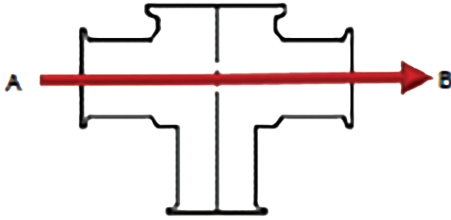
| Δp [PSI] | Valve Size | | | | | | | |
|----------|------------|--------|--------|--------|--------|--------|--------|--------|
| | 2" | | | | 2-1/2" | | | |
| | C-D | E-F | G-H | I-K | C-D | E-F | G-H | I-K |
| | Q[GPM] | Q[GPM] | Q[GPM] | Q[GPM] | Q[GPM] | Q[GPM] | Q[GPM] | Q[GPM] |
| 3.6 | 121.66 | 117.92 | 125.18 | 124.08 | 195.36 | 189.42 | 201.08 | 199.76 |
| 7.3 | 172.04 | 166.76 | 176.88 | 175.56 | 276.32 | 267.87 | 284.24 | 282.04 |
| 14.5 | 243.32 | 235.84 | 250.36 | 248.16 | 390.72 | 378.84 | 402.16 | 399.08 |
| 21.8 | 298.01 | 288.86 | 306.68 | 304.04 | 478.54 | 464.20 | 492.36 | 488.84 |
| 29.0 | 344.08 | 333.52 | 354.20 | 351.12 | 552.55 | 535.92 | 568.92 | 564.52 |
| 36.3 | 384.74 | 372.90 | 396.00 | 392.48 | 617.76 | 599.02 | 635.80 | 630.96 |
| 43.5 | 421.52 | 408.50 | 433.84 | 429.88 | 676.72 | 656.17 | 696.52 | 691.24 |
| 50.8 | 455.40 | 441.32 | 468.60 | 464.20 | 730.97 | 708.84 | 752.40 | 746.68 |
| 58.0 | 486.64 | 471.68 | 500.72 | 496.32 | 781.44 | 757.68 | 804.32 | 798.16 |
| 65.3 | 516.12 | 500.28 | 531.08 | 526.24 | 828.96 | 803.66 | 853.16 | 846.56 |
| 72.5 | 544.28 | 527.56 | 559.68 | 554.84 | 873.84 | 847.13 | 899.36 | 892.32 |

SSV-Series Single Seat Valve - Divert Pressure Drop Chart



| Δp [PSI] | Valve Size | | | | | | | |
|----------|---------------|---------------|---------------|---------------|---------------|---------------|---------------|---------------|
| | 3" | | | | 4" | | | |
| | C-D Q[GPM] | E-F Q[GPM] | G-H Q[GPM] | I-K Q[GPM] | C-D Q[GPM] | E-F Q[GPM] | G-H Q[GPM] | I-K Q[GPM] |
| 3.6 | 286.53 | 277.68 | 294.80 | 292.60 | 511.28 | 495.53 | 525.80 | 521.84 |
| 7.3 | 404.80 | 392.70 | 416.90 | 413.60 | 723.05 | 700.74 | 743.60 | 737.88 |
| 14.5 | 573.01 | 555.37 | 589.60 | 585.20 | 1022.56 | 991.01 | 1051.60 | 1043.68 |
| 21.8 | 701.80 | 680.24 | 722.04 | 717.20 | 1252.37 | 1213.74 | 1287.88 | 1278.20 |
| 29.0 | 810.48 | 785.40 | 833.80 | 827.64 | 1446.10 | 1401.49 | 1487.20 | 1476.20 |
| 36.3 | 906.05 | 878.24 | 932.80 | 925.32 | 1617.00 | 1567.28 | 1663.20 | 1650.00 |
| 43.5 | 992.51 | 961.93 | 1021.24 | 1013.76 | 1771.13 | 1716.44 | 1821.60 | 1808.40 |
| 50.8 | 1072.02 | 1039.02 | 1103.08 | 1094.72 | 1913.12 | 1854.16 | 1967.24 | 1953.60 |
| 58.0 | 1146.02 | 1110.74 | 1179.20 | 1170.40 | 2045.12 | 1982.02 | 2103.20 | 2087.36 |
| 65.3 | 1215.54 | 1178.10 | 1250.92 | 1241.24 | 2169.20 | 2102.23 | 2230.80 | 2214.08 |
| 72.5 | 1281.28 | 1241.86 | 1318.24 | 1308.56 | 2286.68 | 2215.97 | 2351.36 | 2333.76 |

Single Seat - Shut-Off Pressure Drop Chart

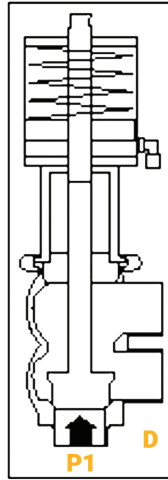


| Ap [PSI] | Valve Size | | | | | | | | |
|----------|------------|--------|--------|--------|--------|--------|--------|--------|--------|
| | 1" | | | 1-1/2" | | | 2" | | |
| | A-B | C-D | E-F | A-B | C-D | E-F | A-B | C-D | E-F |
| | Q[GPM] | Q[GPM] | Q[GPM] | Q[GPM] | Q[GPM] | Q[GPM] | Q[GPM] | Q[GPM] | Q[GPM] |
| 3.6 | 26.75 | 26.40 | 25.52 | 66.35 | 65.34 | 63.27 | 123.64 | 121.66 | 117.92 |
| 7.3 | 37.84 | 37.40 | 36.08 | 93.85 | 92.40 | 89.50 | 166.06 | 172.04 | 166.76 |
| 14.5 | 53.52 | 52.67 | 51.04 | 132.70 | 130.68 | 126.54 | 247.28 | 243.32 | 235.84 |
| 21.8 | 65.56 | 64.68 | 62.48 | 162.54 | 160.16 | 155.01 | 302.85 | 298.01 | 288.86 |
| 29.0 | 75.68 | 74.49 | 72.16 | 187.66 | 184.80 | 179.08 | 349.80 | 344.08 | 333.52 |
| 36.3 | 84.61 | 83.29 | 80.70 | 209.88 | 206.62 | 200.20 | 390.98 | 384.74 | 372.90 |
| 43.5 | 92.84 | 91.21 | 88.44 | 229.86 | 226.34 | 219.16 | 428.30 | 421.52 | 408.50 |
| 50.8 | 100.14 | 98.56 | 95.48 | 248.29 | 244.51 | 236.72 | 462.62 | 455.40 | 441.32 |
| 58.0 | 107.05 | 105.34 | 102.08 | 265.32 | 261.36 | 253.09 | 494.56 | 486.64 | 471.68 |
| 65.3 | 113.52 | 111.76 | 108.24 | 281.60 | 277.20 | 268.40 | 524.57 | 516.12 | 500.28 |
| 72.5 | 119.68 | 117.74 | 114.14 | 296.74 | 292.16 | 282.92 | 553.08 | 544.28 | 527.56 |

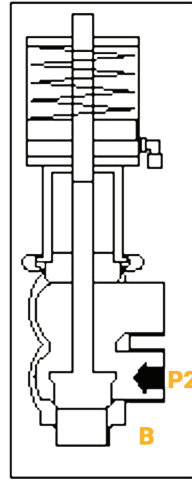
| Ap [PSI] | Valve Size | | | | | | | | |
|----------|------------|--------|--------|---------|---------|---------|---------|---------|---------|
| | 2-1/2" | | | 3" | | | 4" | | |
| | A-B | C-D | E-F | A-B | C-D | E-F | A-B | C-D | E-F |
| | Q[GPM] | Q[GPM] | Q[GPM] | Q[GPM] | Q[GPM] | Q[GPM] | Q[GPM] | Q[GPM] | Q[GPM] |
| 3.6 | 198.57 | 195.36 | 189.42 | 291.28 | 286.53 | 277.68 | 519.64 | 511.28 | 495.53 |
| 7.3 | 280.81 | 276.32 | 267.87 | 411.93 | 404.80 | 392.70 | 734.80 | 723.05 | 700.74 |
| 14.5 | 397.14 | 390.72 | 378.84 | 582.56 | 573.01 | 555.37 | 1039.28 | 1022.56 | 991.01 |
| 21.8 | 486.42 | 478.54 | 464.20 | 713.50 | 701.80 | 680.24 | 1272.92 | 1252.37 | 1213.74 |
| 29.0 | 561.66 | 552.55 | 535.92 | 823.86 | 810.48 | 785.40 | 1469.78 | 1446.10 | 1401.49 |
| 36.3 | 627.92 | 617.76 | 599.02 | 921.10 | 906.05 | 878.24 | 1643.27 | 1617.00 | 1567.28 |
| 43.5 | 687.90 | 676.72 | 656.17 | 1009.05 | 992.51 | 961.93 | 1800.04 | 1771.13 | 1716.44 |
| 50.8 | 742.98 | 730.97 | 708.84 | 1089.88 | 1072.02 | 1039.02 | 1944.36 | 1913.12 | 1854.16 |
| 58.0 | 794.29 | 781.44 | 757.68 | 1165.12 | 1146.02 | 1110.74 | 2078.56 | 2045.12 | 1982.02 |
| 65.3 | 842.60 | 828.96 | 803.66 | 1235.96 | 1215.54 | 1178.10 | 2204.40 | 2169.20 | 2102.23 |
| 72.5 | 888.05 | 873.84 | 847.13 | 1302.40 | 1281.28 | 1241.86 | 2324.08 | 2286.68 | 2215.97 |

Spring Return (Air-to-Raise) Holding Pressure Chart

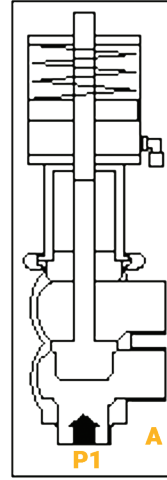
Spring Force
vs.
Product Pressure



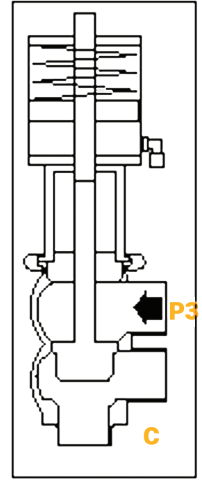
Product Pressure
vs.
Air Pressure (Opening)



Product Pressure
vs.
Spring Force (Closing)

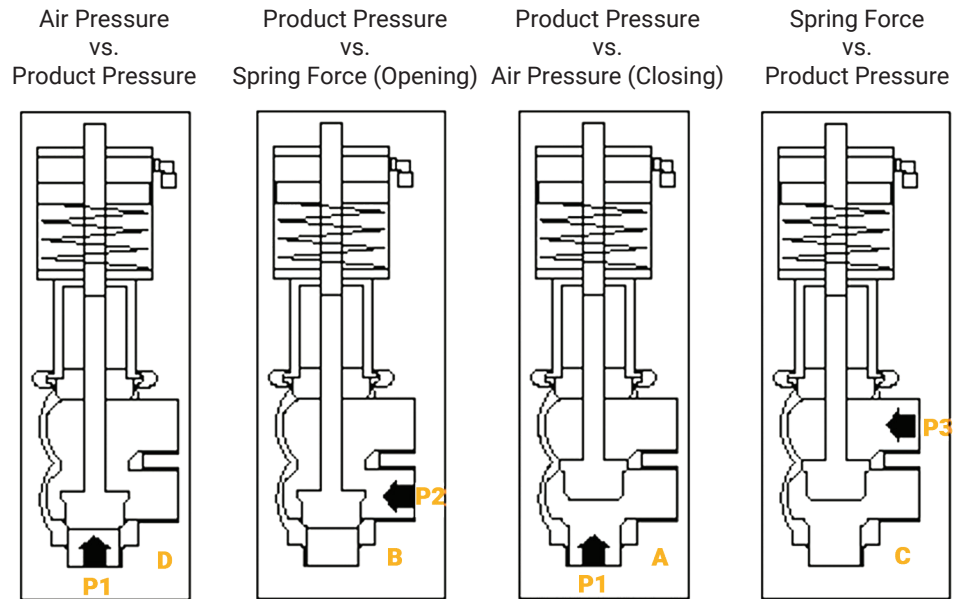


Air Pressure
vs.
Product Pressure



| Plant Supply Air | Valve Size | Actuator Size | Seat Material | Spring Force vs. Product Pressure | | Product Pressure vs. Air Pressure (Opening) | | Product Pressure vs. Spring Force (Closing) | | Air Pressure vs. Product Pressure | |
|------------------|------------|---------------|---------------|---|-------|---|-------|---|-------|-----------------------------------|-------|
| | | | | bar | PSI | bar | PSI | bar | PSI | bar | PSI |
| 80 PSI | 1" | 1" | Elastomer | 12.3 | 178.4 | 16.0 | 232.0 | 6.8 | 98.6 | 16.0 | 232.0 |
| | | | PTFE | 10.3 | 149.4 | 16.0 | 232.0 | 6.9 | 100.1 | 16.0 | 232.0 |
| | 1-1/2" | 2" | Elastomer | 17.3 | 251.1 | 16.0 | 232.0 | 12.1 | 175.5 | 16.0 | 232.0 |
| | | | PTFE | 9.8 | 142.1 | 16.0 | 232.0 | 13.6 | 197.2 | 14.9 | 216.1 |
| | 2" | 2" | Elastomer | 9.3 | 134.9 | 9.8 | 142.1 | 8.2 | 118.9 | 8.8 | 127.6 |
| | | | PTFE | 10.6 | 153.7 | 10.3 | 149.4 | 7.6 | 110.2 | 9.8 | 142.1 |
| | 2-1/2" | 3" | Elastomer | 14.0 | 203.0 | 10.8 | 156.6 | 11.3 | 163.1 | 14.3 | 207.4 |
| | | | PTFE | 10.1 | 146.0 | 15.2 | 220.4 | 12.9 | 187.1 | 13.6 | 197.2 |
| | 3" | 3" | Elastomer | 9.5 | 137.8 | 9.3 | 134.9 | 8.3 | 120.4 | 8.8 | 127.6 |
| | | | PTFE | 9.8 | 142.1 | 10.2 | 147.9 | 8.3 | 120.4 | 10.9 | 158.1 |
| | 4" | 3" | Elastomer | 4.8 | 69.6 | 5.3 | 76.9 | 5.2 | 75.4 | 5.4 | 78.3 |
| | | | PTFE | 5.0 | 72.5 | 5.6 | 81.2 | 5.5 | 79.8 | 5.9 | 85.6 |
| 45 PSI | 1" | 1" | Elastomer | 80 PSI required for spring return actuators (Do not exceed 80 PSI) | | | | | | | |
| | | | PTFE | | | | | | | | |
| | 1-1/2" | 2" | Elastomer | | | | | | | | |
| | | | PTFE | | | | | | | | |
| | 2" | 2" | Elastomer | | | | | | | | |
| | | | PTFE | | | | | | | | |
| | 2-1/2" | 3" | Elastomer | | | | | | | | |
| | | | PTFE | | | | | | | | |
| | 3" | 3" | Elastomer | | | | | | | | |
| | | | PTFE | | | | | | | | |
| | 4" | 3" | Elastomer | | | | | | | | |
| | | | PTFE | | | | | | | | |

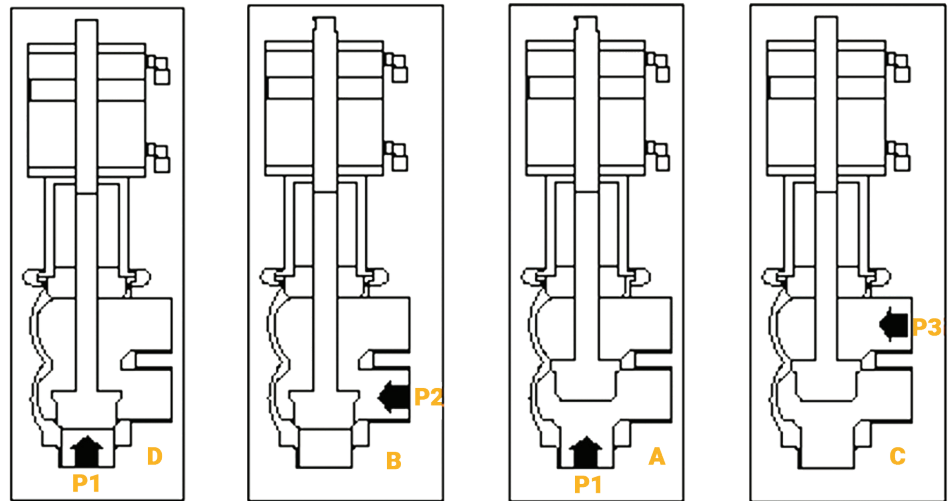
Spring Return (Air-to-Lower) Holding Pressure Chart



| Plant Supply Air | Valve Size | Actuator Size | Seat Material | Air Pressure vs. Product Pressure | | Product Pressure vs. Spring Force (Opening) | | Product Pressure vs. Air Pressure (Closing) | | Spring Force vs. Product Pressure | |
|------------------|------------|---------------|---------------|---|-------|---|-------|---|-------|-----------------------------------|-------|
| | | | | bar | PSI | bar | PSI | bar | PSI | bar | PSI |
| 80 PSI | 1" | 1" | Elastomer | 16.0 | 232.0 | 9.3 | 134.9 | 12.8 | 185.6 | 11.8 | 171.1 |
| | | | PTFE | 16.0 | 232.0 | 11.8 | 170.8 | 15.0 | 217.5 | 9.3 | 134.9 |
| | 1-1/2" | 2" | Elastomer | 16.0 | 232.0 | 15.8 | 229.1 | 14.8 | 214.6 | 16.0 | 232.0 |
| | | | PTFE | 8.8 | 127.6 | 16.0 | 232.0 | 14.0 | 203.0 | 13.6 | 197.2 |
| | 2" | 2" | Elastomer | 10.1 | 146.5 | 9.2 | 133.4 | 8.1 | 117.5 | 9.5 | 137.8 |
| | | | PTFE | 8.1 | 117.5 | 10.1 | 146.5 | 8.4 | 121.8 | 9.2 | 133.4 |
| | 2-1/2" | 3" | Elastomer | 15.8 | 229.1 | 12.8 | 185.6 | 11.0 | 159.5 | 12.9 | 187.1 |
| | | | PTFE | 9.7 | 140.7 | 14.8 | 214.6 | 13.4 | 194.3 | 11.8 | 171.1 |
| | 3" | 3" | Elastomer | 10.0 | 145.0 | 9.3 | 134.9 | 9.3 | 134.9 | 9.1 | 132.0 |
| | | | PTFE | 10.0 | 145.0 | 9.1 | 131.7 | 9.3 | 134.9 | 9.7 | 140.7 |
| | 4" | 3" | Elastomer | 5.3 | 76.9 | 5.3 | 76.9 | 5.1 | 74.0 | 4.8 | 69.6 |
| | | | PTFE | 4.4 | 63.8 | 5.6 | 81.2 | 5.8 | 84.1 | 4.4 | 63.8 |
| 45 PSI | 1" | 1" | Elastomer | 80 PSI required for spring return actuators (Do not exceed 80 PSI) | | | | | | | |
| | | | PTFE | | | | | | | | |
| | 1-1/2" | 2" | Elastomer | | | | | | | | |
| | | | PTFE | | | | | | | | |
| | 2" | 2" | Elastomer | | | | | | | | |
| | | | PTFE | | | | | | | | |
| | 2-1/2" | 3" | Elastomer | | | | | | | | |
| | | | PTFE | | | | | | | | |
| | 3" | 3" | Elastomer | | | | | | | | |
| | | | PTFE | | | | | | | | |
| | 4" | 3" | Elastomer | | | | | | | | |
| | | | PTFE | | | | | | | | |

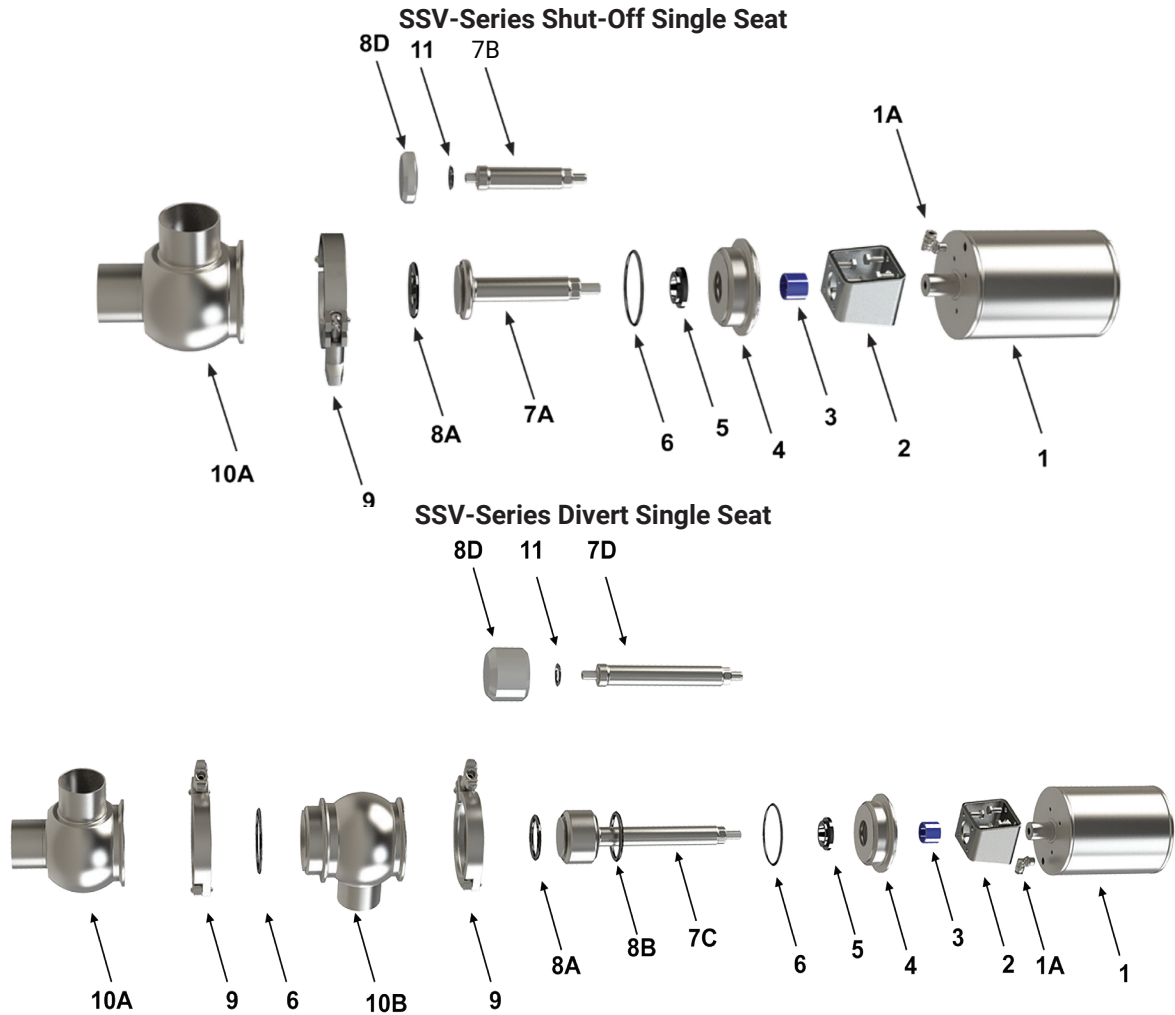
Double Acting Actuator Holding Pressure Chart

Air Pressure
vs.
Product Pressure



| Plant Supply Air | Valve Size | Actuator Size | Seat Material | bar | | PSI | | bar | | PSI | | | |
|------------------|------------|---------------|---------------|---|--------------|------|--------------|------|--------------|------|--------------|--|--|
| | | | | bar | PSI | bar | PSI | bar | PSI | bar | PSI | | |
| 80 PSI | 1" | 1" | Elastomer | 45 PSI required for double acting actuators (Do not exceed 45 PSI) | | | | | | | | | |
| | | | PTFE | | | | | | | | | | |
| | 1-1/2" | 2" | Elastomer | | | | | | | | | | |
| | | | PTFE | | | | | | | | | | |
| | 2" | 2" | Elastomer | | | | | | | | | | |
| | | | PTFE | | | | | | | | | | |
| 45 PSI | 1-1/2" | 2" | Elastomer | 12.3 | 178.4 | 16.0 | 232.0 | 6.8 | 98.6 | 16.0 | 232.0 | | |
| | | | PTFE | 10.3 | 149.4 | 16.0 | 232.0 | 6.9 | 100.1 | 16.0 | 232.0 | | |
| | 2" | 2" | Elastomer | 17.3 | 251.1 | 16.0 | 232.0 | 12.1 | 175.5 | 16.0 | 232.0 | | |
| | | | PTFE | 9.8 | 142.1 | 16.0 | 232.0 | 13.6 | 197.2 | 14.9 | 216.1 | | |
| | 2-1/2" | 3" | Elastomer | 9.3 | 134.9 | 9.8 | 142.1 | 8.2 | 118.9 | 8.8 | 127.6 | | |
| | | | PTFE | 10.6 | 153.7 | 10.3 | 149.4 | 7.6 | 110.2 | 9.8 | 142.1 | | |
| | 3" | 3" | Elastomer | 14.0 | 203.0 | 10.8 | 156.6 | 11.3 | 163.1 | 14.3 | 207.4 | | |
| | | | PTFE | 10.1 | 146.0 | 15.2 | 220.4 | 12.9 | 187.1 | 13.6 | 197.2 | | |
| | 4" | 3" | Elastomer | 9.5 | 137.8 | 9.3 | 134.9 | 8.3 | 120.4 | 8.8 | 127.6 | | |
| | | | PTFE | 9.8 | 142.1 | 10.2 | 147.9 | 8.3 | 120.4 | 10.9 | 158.1 | | |
| | 4" | 3" | Elastomer | 4.8 | 69.6 | 5.3 | 76.9 | 5.2 | 75.4 | 5.4 | 78.3 | | |
| | | | PTFE | 5.0 | 72.5 | 5.6 | 81.2 | 5.5 | 79.8 | 5.9 | 85.6 | | |

Bill of Materials



| Part Type | Part # | Item No. | Material | Description | Qty. | | Valve Type |
|------------------------------|-----------------|----------|----------|---|----------|--------|-------------------|
| | | | | | Shut-Off | Divert | |
| Actuator | SSV-ACT-SR-10 | 1 | 304 SS | 1" spring-return actuator | 1 | 1 | Shut-Off / Divert |
| | SSV-ACT-SR-1520 | | 304 SS | 1-1/2" to 2" spring-return actuator | 1 | 1 | |
| | SSV-ACT-SR-2540 | | 304 SS | 2-1/2" to 4" spring-return actuator | 1 | 1 | |
| | SSV-ACT-DA-10 | | 304 SS | 1" double acting actuator | 1 | 1 | |
| | SSV-ACT-DA-1520 | | 304 SS | 1-1/2" to 2" double acting actuator | 1 | 1 | |
| | SSV-ACT-DA-2540 | | 304 SS | 2-1/2" to 4" double acting actuator | 1 | 1 | |
| Air Fitting | 36095611 | 1A | Ni Brass | 1" to 4" male NPT push-in swivel elbow | 1* | 1* | Shut-Off / Divert |
| Actuator Adapter Bracket | SSV-AB10 | 2 | 304 SS | 1" actuator adapter bracket | 1 | 1 | Shut-Off / Divert |
| | SSV-AB1540 | | 304 SS | 1-1/2" to 4" actuator adapter bracket | 1 | 1 | |
| Adapter Flange Slide Bearing | SSV-AFSB-1015 | 3 | 316L SS | 1" to 1-1/2" adapter flange slide bearing | 1 | 1 | Shut-Off / Divert |
| | SSV-AFSB-2040 | | 316L SS | 2" to 4" adapter flange slide bearing | 1 | 1 | |
| Adapter Flange | SSV-ADFLNG-10 | 4 | 316L SS | 1" adapter flange | 1 | 1 | Shut-Off / Divert |
| | SSV-ADFLNG-15 | | 316L SS | 1-1/2" adapter flange | 1 | 1 | |
| | SSV-ADFLNG-20 | | 316L SS | 2" adapter flange | 1 | 1 | |
| | SSV-ADFLNG-25 | | 316L SS | 2-1/2" adapter flange | 1 | 1 | |
| | SSV-ADFLNG-30 | | 316L SS | 3" adapter flange | 1 | 1 | |
| | SSV-ADFLNG-40 | | 316L SS | 4" adapter flange | 1 | 1 | |

NOTE: *Use Qty 2 for double acting actuators

Bill of Materials

SSV-Series Shut-Off and Divert Single Seats

| Part Type | Part # | Item No. | Material | Description | Qty. | | Valve Type | |
|---|---|---------------|----------|--|--|--------|-------------------|----------|
| | | | | | Shut-Off | Divert | | |
| Stem Lip Seal | SSV-LSE-1015 | 5 | EPDM | 1" to 1-1/2" stem lip seal | 1 | 1 | Shut-Off / Divert | |
| | SSV-LSE-2040 | | EPDM | 2" to 4" stem lip seal | 1 | 1 | | |
| | SSV-LSV-1015 | 5 | FKM | 1" to 1-1/2" stem lip seal | 1 | 1 | Shut-Off / Divert | |
| | SSV-LSV-2040 | | FKM | 2" to 4" stem lip seal | 1 | 1 | | |
| Adapter Flange Seal O-Ring | SSV-AFSO-E-10 | 6 | EPDM | 1" adapter flange seal O-ring | 1 | 2 | Shut-Off / Divert | |
| | SSV-AFSO-E-15 | | EPDM | 1-1/2" adapter flange seal O-ring | 1 | 2 | | |
| | SSV-AFSO-E-20 | | EPDM | 2" adapter flange seal O-ring | 1 | 2 | | |
| | SSV-AFSO-E-25 | | EPDM | 2-1/2" adapter flange seal O-ring | 1 | 2 | | |
| | SSV-AFSO-E-30 | | EPDM | 3" adapter flange seal O-ring | 1 | 2 | | |
| | SSV-AFSO-E-40 | | EPDM | 4" adapter flange seal O-ring | 1 | 2 | | |
| | SSV-AFSO-V-10 | 6 | FKM | 1" adapter flange seal O-ring | 1 | 2 | Shut-Off / Divert | |
| | SSV-AFSO-V-15 | | FKM | 1-1/2" adapter flange seal O-ring | 1 | 2 | | |
| | SSV-AFSO-V-20 | | FKM | 2" adapter flange seal O-ring | 1 | 2 | | |
| | SSV-AFSO-V-25 | | FKM | 2-1/2" adapter flange seal O-ring | 1 | 2 | | |
| | SSV-AFSO-V-30 | | FKM | 3" adapter flange seal O-ring | 1 | 2 | | |
| | SSV-AFSO-V-40 | | FKM | 4" adapter flange seal O-ring | 1 | 2 | | |
| | Single Body Valve Stem (Elastomeric Seal) | SSV-SVS-OS-10 | 7A | 316L SS | 1" single body valve stem (elastomeric seal) | 1 | - | Shut-Off |
| | | SSV-SVS-OS-15 | | 316L SS | 1-1/2" single body valve stem (elastomeric seal) | 1 | - | |
| SSV-SVS-OS-20 | | 316L SS | | 2" single body valve stem (elastomeric seal) | 1 | - | | |
| SSV-SVS-OS-25 | | 316L SS | | 2-1/2" single body valve stem (elastomeric seal) | 1 | - | | |
| SSV-SVS-OS-30 | | 316L SS | | 3" single body valve stem (elastomeric seal) | 1 | - | | |
| SSV-SVS-OS-40 | | 316L SS | | 4" single body valve stem (elastomeric seal) | 1 | - | | |
| Single Body Valve Stem (PTFE Seal) | SSV-SVS-PS-10 | 7B | 316L SS | 1" single body valve stem (PTFE seal) | 1 | - | Shut-Off | |
| | SSV-SVS-PS-15 | | 316L SS | 1-1/2" single body valve stem (PTFE seal) | 1 | - | | |
| | SSV-SVS-PS-20 | | 316L SS | 2" single body valve stem (PTFE seal) | 1 | - | | |
| | SSV-SVS-PS-25 | | 316L SS | 2-1/2" single body valve stem (PTFE seal) | 1 | - | | |
| | SSV-SVS-PS-30 | | 316L SS | 3" single body valve stem (PTFE seal) | 1 | - | | |
| | SSV-SVS-PS-40 | | 316L SS | 4" single body valve stem (PTFE seal) | 1 | - | | |
| Double Body Valve Stem (Elastomeric Seal) | SSV-DVS-OS-10 | 7C | 316L SS | 1" double body valve stem (elastomeric seal) | - | 1 | Divert | |
| | SSV-DVS-OS-15 | | 316L SS | 1-1/2" double body valve stem (elastomeric seal) | - | 1 | | |
| | SSV-DVS-OS-20 | | 316L SS | 2" double body valve stem (elastomeric seal) | - | 1 | | |
| | SSV-DVS-OS-25 | | 316L SS | 2-1/2" double body valve stem (elastomeric seal) | - | 1 | | |
| | SSV-DVS-OS-30 | | 316L SS | 3" double body valve stem (elastomeric seal) | - | 1 | | |
| | SSV-DVS-OS-40 | | 316L SS | 4" double body valve stem (elastomeric seal) | - | 1 | | |
| Double Body Valve Stem (PTFE Seal) | SSV-DVS-PS-10 | 7D | 316L SS | 1" double body valve stem (PTFE seal) | - | 1 | Divert | |
| | SSV-DVS-PS-15 | | 316L SS | 1-1/2" double body valve stem (PTFE seal) | - | 1 | | |
| | SSV-DVS-PS-20 | | 316L SS | 2" double body valve stem (PTFE seal) | - | 1 | | |
| | SSV-DVS-PS-25 | | 316L SS | 2-1/2" double body valve stem (PTFE seal) | - | 1 | | |
| | SSV-DVS-PS-30 | | 316L SS | 3" double body valve stem (PTFE seal) | - | 1 | | |
| | SSV-DVS-PS-40 | | 316L SS | 4" double body valve stem (PTFE seal) | - | 1 | | |

Bill of Materials

SSV-Series Shut-Off and Divert Single Seats

| Part Type | Part # | Item No. | Material | Description | Qty | | Valve Type | |
|------------------------|---------------|---------------|----------|-----------------------------------|-----------------------------------|--------|-------------------|-------------------|
| | | | | | Shut-Off | Divert | | |
| Lower Stem Seal O-Ring | SSV-LSOR-E-10 | 8A | EPDM | 1" lower stem seal O-ring | 1 | 1 | Shut-Off / Divert | |
| | SSV-LSOR-E-15 | | EPDM | 1-1/2" lower stem seal O-ring | 1 | 1 | | |
| | SSV-LSOR-E-20 | | EPDM | 2" lower stem seal O-ring | 1 | 1 | | |
| | SSV-LSOR-E-25 | | EPDM | 2-1/2" lower stem seal O-ring | 1 | 1 | | |
| | SSV-LSOR-E-30 | | EPDM | 3" lower stem seal O-ring | 1 | 1 | | |
| | SSV-LSOR-E-40 | | EPDM | 4" lower stem seal O-ring | 1 | 1 | | |
| | | SSV-LSOR-V-10 | 8A | FKM | 1" lower stem seal O-ring | 1 | 1 | Shut-Off / Divert |
| | | SSV-LSOR-V-15 | | FKM | 1-1/2" lower stem seal O-ring | 1 | 1 | |
| | | SSV-LSOR-V-20 | | FKM | 2" lower stem seal O-ring | 1 | 1 | |
| | | SSV-LSOR-V-25 | | FKM | 2-1/2" lower stem seal O-ring | 1 | 1 | |
| | | SSV-LSOR-V-30 | | FKM | 3" lower stem seal O-ring | 1 | 1 | |
| | | SSV-LSOR-V-40 | | FKM | 4" lower stem seal O-ring | 1 | 1 | |
| Upper Stem Seal O-Ring | SSV-USOR-E-10 | 8B | EPDM | 1" upper stem seal O-ring | - | 1 | Divert | |
| | SSV-USOR-E-15 | | EPDM | 1-1/2" upper stem seal O-ring | - | 1 | | |
| | SSV-USOR-E-20 | | EPDM | 2" upper stem seal O-ring | - | 1 | | |
| | SSV-USOR-E-25 | | EPDM | 2-1/2" upper stem seal O-ring | - | 1 | | |
| | SSV-USOR-E-30 | | EPDM | 3" upper stem seal O-ring | - | 1 | | |
| | SSV-USOR-E-40 | | EPDM | 4" upper stem seal O-ring | - | 1 | | |
| | | SSV-USOR-V-10 | 8B | FKM | 1" upper stem seal O-ring | - | 1 | Divert |
| | | SSV-USOR-V-15 | | FKM | 1-1/2" upper stem seal O-ring | - | 1 | |
| | | SSV-USOR-V-20 | | FKM | 2" upper stem seal O-ring | - | 1 | |
| | | SSV-USOR-V-25 | | FKM | 2-1/2" upper stem seal O-ring | - | 1 | |
| | | SSV-USOR-V-30 | | FKM | 3" upper stem seal O-ring | - | 1 | |
| | | SSV-USOR-V-40 | | FKM | 4" upper stem seal O-ring | - | 1 | |
| Stem Seal Plug | SSV-SBSP-P-10 | 8C | PTFE | 1" single body stem seal plug | 1 | - | Shut-Off | |
| | SSV-SBSP-P-15 | | PTFE | 1-1/2" single body stem seal plug | 1 | - | | |
| | SSV-SBSP-P-20 | | PTFE | 2" single body stem seal plug | 1 | - | | |
| | SSV-SBSP-P-25 | | PTFE | 2-1/2" single body stem seal plug | 1 | - | | |
| | SSV-SBSP-P-30 | | PTFE | 3" single body stem seal plug | 1 | - | | |
| | SSV-SBSP-P-40 | | PTFE | 4" single body stem seal plug | 1 | - | | |
| | | SSV-DBSP-P-10 | 8D | PTFE | 1" double body stem seal plug | - | 1 | Divert |
| | | SSV-DBSP-P-15 | | PTFE | 1-1/2" double body stem seal plug | - | 1 | |
| | | SSV-DBSP-P-20 | | PTFE | 2" double body stem seal plug | - | 1 | |
| | | SSV-DBSP-P-25 | | PTFE | 2-1/2" double body stem seal plug | - | 1 | |
| | | SSV-DBSP-P-30 | | PTFE | 3" double body stem seal plug | - | 1 | |
| | | SSV-DBSP-P-40 | | PTFE | 4" double body stem seal plug | - | 1 | |
| Body Clamp | 13MHHM200SN | 9 | 304 SS | 1" body clamp | 1 | 2 | Shut-Off / Divert | |
| | 13MHHM250SN | | 304 SS | 1-1/2" body clamp | 1 | 2 | | |
| | 13MHHM300SN | | 304 SS | 2" body clamp | 1 | 2 | | |
| | 13MHHV300SN | | 304 SS | 2-1/2" body clamp | 1 | 2 | | |
| | 13MHHM400SN | | 304 SS | 3" body clamp | 1 | 2 | | |
| | 13MHHM500SN | | 304 SS | 4" body clamp | 1 | 2 | | |

Bill of Materials

SSV-Series Shut-Off and Divert Single Seats

| Part Type | Part # | Item No. | Material | Description | Qty. | | Valve Type |
|-------------------------------------|------------|----------|----------|--|----------|--------|-------------------|
| | | | | | Shut-Off | Divert | |
| Lower Valve Body (L-Port) Tri-Clamp | SSV-LBLC10 | 10A | 316L SS | 1" lower valve body (L) configuration, tri-clamp | 1 | 1 | Shut-Off / Divert |
| | SSV-LBLC15 | | 316L SS | 1-1/2" lower valve body (L) configuration, tri-clamp | 1 | 1 | |
| | SSV-LBLC20 | | 316L SS | 2" lower valve body (L) configuration, tri-clamp | 1 | 1 | |
| | SSV-LBLC25 | | 316L SS | 2-1/2" lower valve body (L) configuration, tri-clamp | 1 | 1 | |
| | SSV-LBLC30 | | 316L SS | 3" lower valve body (L) configuration, tri-clamp | 1 | 1 | |
| | SSV-LBLC40 | | 316L SS | 4" lower valve body (L) configuration, tri-clamp | 1 | 1 | |
| Lower Valve Body (L-Port) Butt weld | SSV-LBLB10 | 10A | 316L SS | 1" lower valve body (L) configuration, butt weld | 1 | 1 | Shut-Off / Divert |
| | SSV-LBLB15 | | 316L SS | 1-1/2" lower valve body (L) configuration, butt weld | 1 | 1 | |
| | SSV-LBLB20 | | 316L SS | 2" lower valve body (L) configuration, butt weld | 1 | 1 | |
| | SSV-LBLB25 | | 316L SS | 2-1/2" lower valve body (L) configuration, butt weld | 1 | 1 | |
| | SSV-LBLB30 | | 316L SS | 3" lower valve body (L) configuration, butt weld | 1 | 1 | |
| | SSV-LBLB40 | | 316L SS | 4" lower valve body (L) configuration, butt weld | 1 | 1 | |
| Lower Valve Body (T-Port) Tri-Clamp | SSV-LBTC10 | 10A | 316L SS | 1" lower valve body (T) configuration, tri-clamp | 1 | 1 | Shut-Off / Divert |
| | SSV-LBTC15 | | 316L SS | 1-1/2" lower valve body (T) configuration, tri-clamp | 1 | 1 | |
| | SSV-LBTC20 | | 316L SS | 2" lower valve body (T) configuration, tri-clamp | 1 | 1 | |
| | SSV-LBTC25 | | 316L SS | 2-1/2" lower valve body (T) configuration, tri-clamp | 1 | 1 | |
| | SSV-LBTC30 | | 316L SS | 3" lower valve body (T) configuration, tri-clamp | 1 | 1 | |
| | SSV-LBTC40 | | 316L SS | 4" lower valve body (T) configuration, tri-clamp | 1 | 1 | |
| Lower Valve Body (T-Port) Butt weld | SSV-LBTB10 | 10A | 316L SS | 1" lower valve body (T) configuration, butt weld | 1 | 1 | Shut-Off / Divert |
| | SSV-LBTB15 | | 316L SS | 1-1/2" lower valve body (T) configuration, butt weld | 1 | 1 | |
| | SSV-LBTB20 | | 316L SS | 2" lower valve body (T) configuration, butt weld | 1 | 1 | |
| | SSV-LBTB25 | | 316L SS | 2-1/2" lower valve body (T) configuration, butt weld | 1 | 1 | |
| | SSV-LBTB30 | | 316L SS | 3" lower valve body (T) configuration, butt weld | 1 | 1 | |
| | SSV-LBTB40 | | 316L SS | 4" lower valve body (T) configuration, butt weld | 1 | 1 | |
| Lower Valve Body (Y-Port) Tri-Clamp | SSV-LBYC10 | 10A | 316L SS | 1" lower valve body (Y) configuration, tri-clamp | 1 | - | Shut-Off |
| | SSV-LBYC15 | | 316L SS | 1-1/2" lower valve body (Y) configuration, tri-clamp | 1 | - | |
| | SSV-LBYC20 | | 316L SS | 2" lower valve body (Y) configuration, tri-clamp | 1 | - | |
| | SSV-LBYC25 | | 316L SS | 2-1/2" lower valve body (Y) configuration, tri-clamp | 1 | - | |
| | SSV-LBYC30 | | 316L SS | 3" lower valve body (Y) configuration, tri-clamp | 1 | - | |
| | SSV-LBYC40 | | 316L SS | 4" lower valve body (Y) configuration, tri-clamp | 1 | - | |
| Lower Valve Body (Y-Port) Butt weld | SSV-LBYB10 | 10A | 316L SS | 1" lower valve body (Y) configuration, butt weld | 1 | - | Shut-Off |
| | SSV-LBYB15 | | 316L SS | 1-1/2" lower valve body (Y) configuration, butt weld | 1 | - | |
| | SSV-LBYB20 | | 316L SS | 2" lower valve body (Y) configuration, butt weld | 1 | - | |
| | SSV-LBYB25 | | 316L SS | 2-1/2" lower valve body (Y) configuration, butt weld | 1 | - | |
| | SSV-LBYB30 | | 316L SS | 3" lower valve body (Y) configuration, butt weld | 1 | - | |
| | SSV-LBYB40 | | 316L SS | 4" lower valve body (Y) configuration, butt weld | 1 | - | |
| Upper Valve Body (L-Port) Tri-Clamp | SSV-UBLC10 | 10B | 316L SS | 1" upper valve body (L) configuration, tri-clamp | - | 1 | Divert |
| | SSV-UBLC15 | | 316L SS | 1-1/2" upper valve body (L) configuration, tri-clamp | - | 1 | |
| | SSV-UBLC20 | | 316L SS | 2" upper valve body (L) configuration, tri-clamp | - | 1 | |
| | SSV-UBLC25 | | 316L SS | 2-1/2" upper valve body (L) configuration, tri-clamp | - | 1 | |
| | SSV-UBLC30 | | 316L SS | 3" upper valve body (L) configuration, tri-clamp | - | 1 | |
| | SSV-UBLC40 | | 316L SS | 4" upper valve body (L) configuration, tri-clamp | - | 1 | |
| Upper Valve Body (L-Port) Butt weld | SSV-UBLB10 | 10B | 316L SS | 1" upper valve body (L) configuration, butt weld | - | 1 | Divert |
| | SSV-UBLB15 | | 316L SS | 1-1/2" upper valve body (L) configuration, butt weld | - | 1 | |
| | SSV-UBLB20 | | 316L SS | 2" upper valve body (L) configuration, butt weld | - | 1 | |
| | SSV-UBLB25 | | 316L SS | 2-1/2" upper valve body (L) configuration, butt weld | - | 1 | |
| | SSV-UBLB30 | | 316L SS | 3" upper valve body (L) configuration, butt weld | - | 1 | |
| | SSV-UBLB40 | | 316L SS | 4" upper valve body (L) configuration, butt weld | - | 1 | |

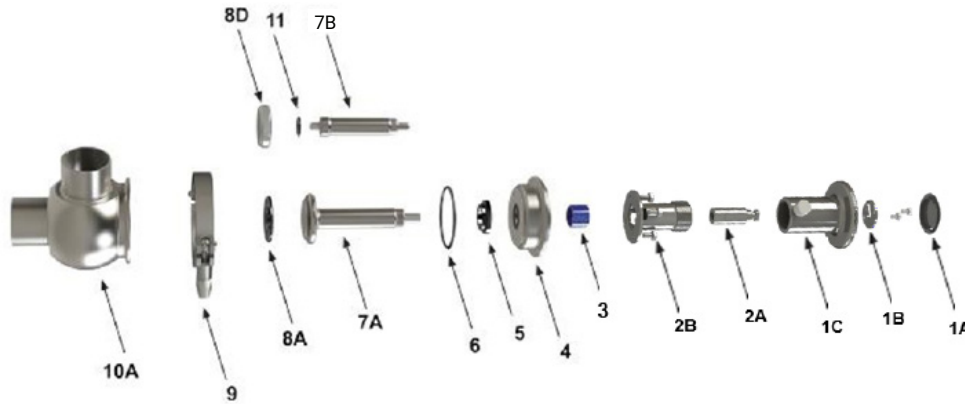
Bill of Materials

SSV Series Shut-Off and Divert Single Seats

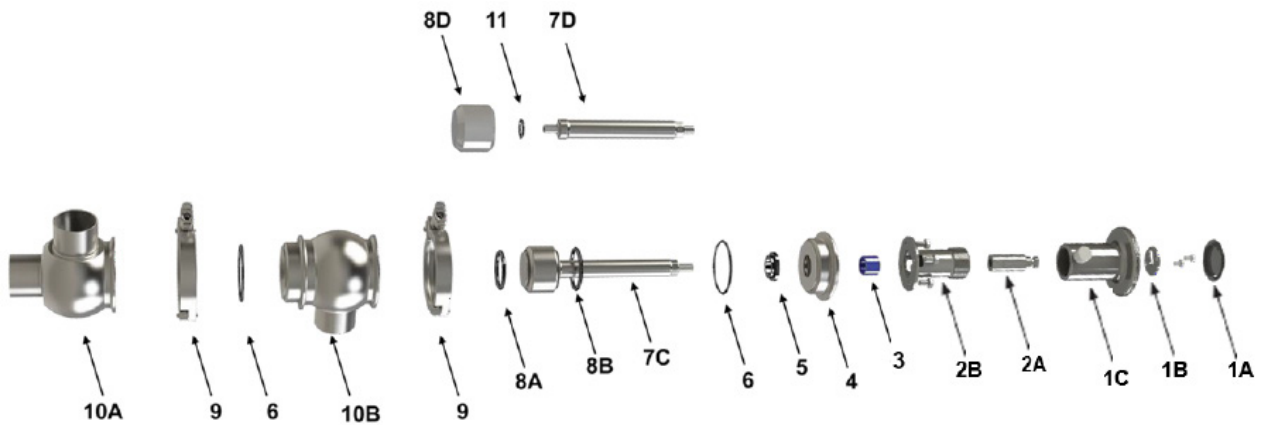
| Part Type | Part # | Item No. | Material | Description | Qty. | | Valve Type |
|-------------------------------------|-----------------|----------|----------|--|----------|--------|-------------------|
| | | | | | Shut-Off | Divert | |
| Upper Valve Body (T-Port) Tri-Clamp | SSV-UBTC10 | 10B | 316L SS | 1" upper valve body (T) configuration, tri-clamp | - | 1 | Divert |
| | SSV-UBTC15 | | 316L SS | 1-1/2" upper valve body (T) configuration, tri-clamp | - | 1 | |
| | SSV-UBTC20 | | 316L SS | 2" upper valve body (T) configuration, tri-clamp | - | 1 | |
| | SSV-UBTC25 | | 316L SS | 2-1/2" upper valve body (T) configuration, tri-clamp | - | 1 | |
| | SSV-UBTC30 | | 316L SS | 3" upper valve body (T) configuration, tri-clamp | - | 1 | |
| | SSV-UBTC40 | | 316L SS | 4" upper valve body (T) configuration, tri-clamp | - | 1 | |
| Upper Valve Body (T-Port) Buttweld | SSV-UBTB10 | 10B | 316L SS | 1" upper valve body (T) configuration, buttweld | - | 1 | Divert |
| | SSV-UBTB15 | | 316L SS | 1-1/2" upper valve body (T) configuration, buttweld | - | 1 | |
| | SSV-UBTB20 | | 316L SS | 2" upper valve body (T) configuration, buttweld | - | 1 | |
| | SSV-UBTB25 | | 316L SS | 2-1/2" upper valve body (T) configuration, buttweld | - | 1 | |
| | SSV-UBTB30 | | 316L SS | 3" upper valve body (T) configuration, buttweld | - | 1 | |
| | SSV-UBTB40 | | 316L SS | 4" upper valve body (T) configuration, buttweld | - | 1 | |
| Stem Seal Plug O-Ring | SSV-SPOR-E-1015 | 11 | EPDM | 1" to 1-1/2" stem seal plug O-ring | 1 | 1 | Shut-Off / Divert |
| | SSV-SPOR-E-2040 | | EPDM | 2" to 4" stem seal plug O-ring | 1 | 1 | |
| | SSV-SPOR-V-1015 | | FKM | 1" to 1-1/2" stem seal plug O-ring | 1 | 1 | Shut-Off / Divert |
| | SSV-SPOR-V-2040 | | FKM | 2" to 4" stem seal plug O-ring | 1 | 1 | |

Bill of Materials

SSV-Series Shut-Off Single Seat (Manual Handle)



SSV-Series Divert Single Seat (Manual Handle)



| Part Type | Part # | Item No. | Material | Description | Qty. | | Valve Type |
|------------------------------|---------------|----------|----------|---|----------|--------|-------------------|
| | | | | | Shut-Off | Divert | |
| Handle Cap | 9750K320 | 1A | Poly | 1" to 4" handle cap cover | 1 | 1 | Shut-Off / Divert |
| Handle Retainer | SSV-HR-1040 | 1B | 304 SS | 1" to 4" handle retainer ring | 1 | 1 | Shut-Off / Divert |
| Handle | SSV-HA-1040 | 1C | 304 SS | 1" to 4" handle | 1 | 1 | Shut-Off / Divert |
| | SSV-SC-1015 | | 304 SS | 1" to 1-1/2" handle stem | 1 | 1 | |
| Handle Stem | SSV-SC-2025 | 2A | 304 SS | 2" to 2-1/2" handle stem | 1 | 1 | Shut-Off / Divert |
| | SSV-SC-3040 | | 304 SS | 3" to 4" handle stem | 1 | 1 | |
| Handle Hub | SSV-HAB-10 | 2B | 304 SS | 1" handle hub | 1 | 1 | Shut-Off / Divert |
| | SSV-HAB-1540 | | 304 SS | 1-1/2" to 4" handle hub | 1 | 1 | |
| Adapter Flange Slide Bearing | SSV-AFSB-1015 | 3 | Poly | 1" to 1-1/2" adapter flange slide bearing | 1 | 1 | Shut-Off / Divert |
| | SSV-AFSB-2040 | | | 2" to 4" adapter flange slide bearing | 1 | 1 | |
| Adapter Flange | SSV-ADFLNG-10 | 4 | 316L SS | 1" adapter flange | 1 | 1 | Shut-Off / Divert |
| | SSV-ADFLNG-15 | | 316L SS | 1-1/2" adapter flange | 1 | 1 | |
| | SSV-ADFLNG-20 | | 316L SS | 2" adapter flange | 1 | 1 | |
| | SSV-ADFLNG-25 | | 316L SS | 2-1/2" adapter flange | 1 | 1 | |
| | SSV-ADFLNG-30 | | 316L SS | 3" adapter flange | 1 | 1 | |
| | SSV-ADFLNG-40 | | 316L SS | 4" adapter flange | 1 | 1 | |
| | SSV-ADFLNG-40 | | 316L SS | 4" adapter flange | 1 | 1 | |

Bill of Materials

SSV-Series Shut-Off and Divert Single Seats (Manual Handle)

| Part Type | Part # | Item No. | Material | Description | Qty. | | Valve Type | | | |
|---|---|----------|--|--|----------|--|-------------------|---|---|----------|
| | | | | | Shut-Off | Divert | | | | |
| Stem Lip Seal | SSV-LSE-1015 | 5 | EPDM | 1" to 1-1/2" stem lip seal | 1 | 1 | Shut-Off / Divert | | | |
| | SSV-LSE-2040 | | EPDM | 2" to 4" stem lip seal | 1 | 1 | | | | |
| | SSV-LSV-1015 | 5 | FKM | 1" to 1-1/2" stem lip seal | 1 | 1 | Shut-Off / Divert | | | |
| | SSV-LSV-2040 | | FKM | 2" to 4" stem lip seal | 1 | 1 | | | | |
| Adapter Flange Seal O-Ring | SSV-AFSO-E-10 | 6 | EPDM | 1" adapter flange seal O-ring | 1 | 2 | Shut-Off / Divert | | | |
| | SSV-AFSO-E-15 | | EPDM | 1-1/2" adapter flange seal O-ring | 1 | 2 | | | | |
| | SSV-AFSO-E-20 | | EPDM | 2" adapter flange seal O-ring | 1 | 2 | | | | |
| | SSV-AFSO-E-25 | | EPDM | 2-1/2" adapter flange seal O-ring | 1 | 2 | | | | |
| | SSV-AFSO-E-30 | | EPDM | 3" adapter flange seal O-ring | 1 | 2 | | | | |
| | SSV-AFSO-E-40 | | EPDM | 4" adapter flange seal O-ring | 1 | 2 | | | | |
| | SSV-AFSO-V-10 | 6 | FKM | 1" adapter flange seal O-ring | 1 | 2 | Shut-Off / Divert | | | |
| | SSV-AFSO-V-15 | | FKM | 1-1/2" adapter flange seal O-ring | 1 | 2 | | | | |
| | SSV-AFSO-V-20 | | FKM | 2" adapter flange seal O-ring | 1 | 2 | | | | |
| | SSV-AFSO-V-25 | | FKM | 2-1/2" adapter flange seal O-ring | 1 | 2 | | | | |
| | SSV-AFSO-V-30 | | FKM | 3" adapter flange seal O-ring | 1 | 2 | | | | |
| | SSV-AFSO-V-40 | | FKM | 4" adapter flange seal O-ring | 1 | 2 | | | | |
| | Single Body Valve Stem (Elastomeric Seal) | | SSV-SVS-OS-10 | 7A | 316L SS | 1" single body valve stem (elastomeric seal) | | 1 | - | Shut-Off |
| | | | SSV-SVS-OS-15 | | 316L SS | 1-1/2" single body valve stem (elastomeric seal) | | 1 | - | |
| SSV-SVS-OS-20 | | 316L SS | 2" single body valve stem (elastomeric seal) | | 1 | - | | | | |
| SSV-SVS-OS-25 | | 316L SS | 2-1/2" single body valve stem (elastomeric seal) | | 1 | - | | | | |
| SSV-SVS-OS-30 | | 316L SS | 3" single body valve stem (elastomeric seal) | | 1 | - | | | | |
| SSV-SVS-OS-40 | | 316L SS | 4" single body valve stem (elastomeric seal) | | 1 | - | | | | |
| Single Body Valve Stem (PTFE Seal) | SSV-SVS-PS-10 | 7B | 316L SS | 1" single body valve stem (PTFE seal) | 1 | - | Shut-Off | | | |
| | SSV-SVS-PS-15 | | 316L SS | 1-1/2" single body valve stem (PTFE seal) | 1 | - | | | | |
| | SSV-SVS-PS-20 | | 316L SS | 2" single body valve stem (PTFE seal) | 1 | - | | | | |
| | SSV-SVS-PS-25 | | 316L SS | 2-1/2" single body valve stem (PTFE seal) | 1 | - | | | | |
| | SSV-SVS-PS-30 | | 316L SS | 3" single body valve stem (PTFE seal) | 1 | - | | | | |
| | SSV-SVS-PS-40 | | 316L SS | 4" single body valve stem (PTFE seal) | 1 | - | | | | |
| Double Body Valve Stem (Elastomeric Seal) | SSV-DVS-OS-10 | 7C | 316L SS | 1" double body valve stem (elastomeric seal) | - | 1 | Divert | | | |
| | SSV-DVS-OS-15 | | 316L SS | 1-1/2" double body valve stem (elastomeric seal) | - | 1 | | | | |
| | SSV-DVS-OS-20 | | 316L SS | 2" double body valve stem (elastomeric seal) | - | 1 | | | | |
| | SSV-DVS-OS-25 | | 316L SS | 2-1/2" double body valve stem (elastomeric seal) | - | 1 | | | | |
| | SSV-DVS-OS-30 | | 316L SS | 3" double body valve stem (elastomeric seal) | - | 1 | | | | |
| | SSV-DVS-OS-40 | | 316L SS | 4" double body valve stem (elastomeric seal) | - | 1 | | | | |
| Double Body Valve Stem (PTFE Seal) | SSV-DVS-PS-10 | 7D | 316L SS | 1" double body valve stem (PTFE seal) | - | 1 | Divert | | | |
| | SSV-DVS-PS-15 | | 316L SS | 1-1/2" double body valve stem (PTFE seal) | - | 1 | | | | |
| | SSV-DVS-PS-20 | | 316L SS | 2" double body valve stem (PTFE seal) | - | 1 | | | | |
| | SSV-DVS-PS-25 | | 316L SS | 2-1/2" double body valve stem (PTFE seal) | - | 1 | | | | |
| | SSV-DVS-PS-30 | | 316L SS | 3" double body valve stem (PTFE seal) | - | 1 | | | | |
| | SSV-DVS-PS-40 | | 316L SS | 4" double body valve stem (PTFE seal) | - | 1 | | | | |
| Lower Stem Seal O-Ring | SSV-LSOR-E-10 | 8A | EPDM | 1" lower stem seal O-ring | 1 | 1 | Shut-Off / Divert | | | |
| | SSV-LSOR-E-15 | | EPDM | 1-1/2" lower stem seal O-ring | 1 | 1 | | | | |
| | SSV-LSOR-E-20 | | EPDM | 2" lower stem seal O-ring | 1 | 1 | | | | |
| | SSV-LSOR-E-25 | | EPDM | 2-1/2" lower stem seal O-ring | 1 | 1 | | | | |
| | SSV-LSOR-E-30 | | EPDM | 3" lower stem seal O-ring | 1 | 1 | | | | |
| | SSV-LSOR-E-40 | | EPDM | 4" lower stem seal O-ring | 1 | 1 | | | | |
| | SSV-LSOR-V-10 | 8A | FKM | 1" lower stem seal O-ring | 1 | 1 | Shut-Off / Divert | | | |
| | SSV-LSOR-V-15 | | FKM | 1-1/2" lower stem seal O-ring | 1 | 1 | | | | |
| | SSV-LSOR-V-20 | | FKM | 2" lower stem seal O-ring | 1 | 1 | | | | |
| | SSV-LSOR-V-25 | | FKM | 2-1/2" lower stem seal O-ring | 1 | 1 | | | | |
| | SSV-LSOR-V-30 | | FKM | 3" lower stem seal O-ring | 1 | 1 | | | | |
| | SSV-LSOR-V-40 | | FKM | 4" lower stem seal O-ring | 1 | 1 | | | | |

Bill of Materials

SSV-Series Shut-Off and Divert Single Seats (Manual Handle)

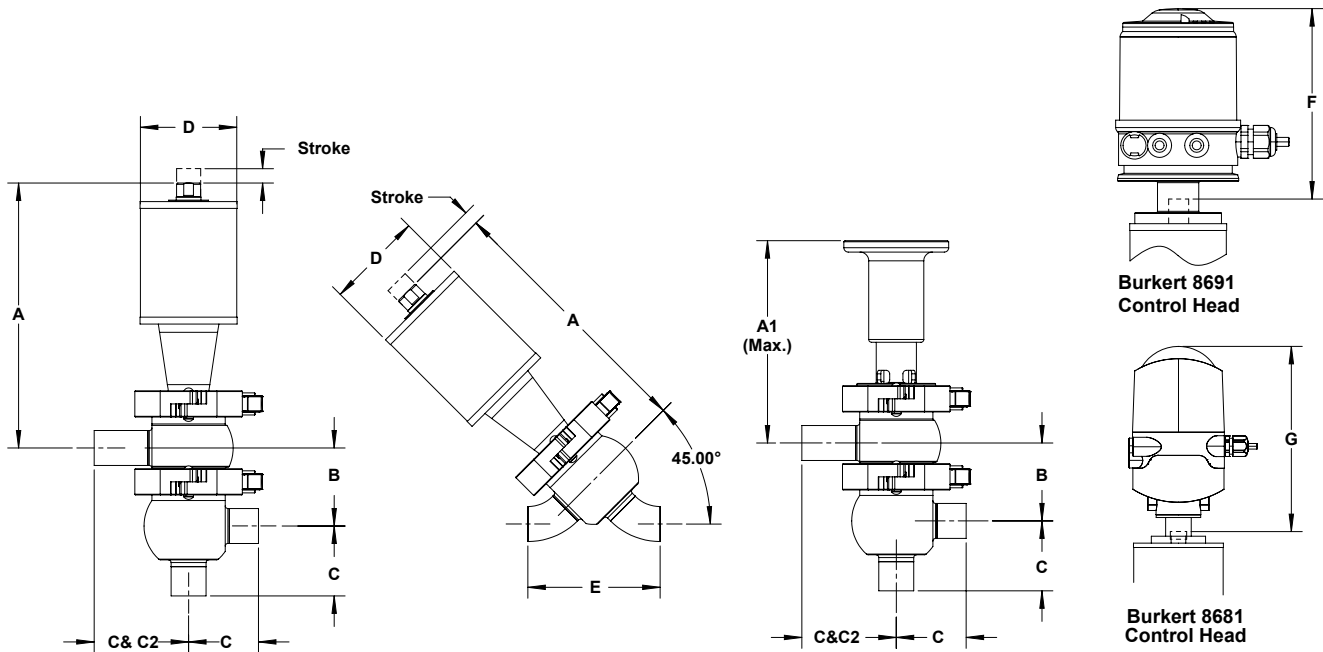
| Part Type | Part # | Item No. | Material | Description | Qty. | | Valve Type | |
|-------------------------------------|---------------|-------------------------------|-------------------------------|--|-------------------|--------|-------------------|---|
| | | | | | Shut-Off | Divert | | |
| Upper Stem Seal O-Ring | SSV-USOR-E-10 | 8B | EPDM | 1" upper stem seal O-ring | - | 1 | Divert | |
| | SSV-USOR-E-15 | | EPDM | 1-1/2" upper stem seal O-ring | - | 1 | | |
| | SSV-USOR-E-20 | | EPDM | 2" upper stem seal O-ring | - | 1 | | |
| | SSV-USOR-E-25 | | EPDM | 2-1/2" upper stem seal O-ring | - | 1 | | |
| | SSV-USOR-E-30 | | EPDM | 3" upper stem seal O-ring | - | 1 | | |
| | SSV-USOR-E-40 | EPDM | 4" upper stem seal O-ring | - | 1 | Divert | | |
| | SSV-USOR-V-10 | 8B | FKM | 1" upper stem seal O-ring | - | | 1 | |
| | SSV-USOR-V-15 | | FKM | 1-1/2" upper stem seal O-ring | - | | 1 | |
| | SSV-USOR-V-20 | | FKM | 2" upper stem seal O-ring | - | | 1 | |
| | SSV-USOR-V-25 | | FKM | 2-1/2" upper stem seal O-ring | - | | 1 | |
| SSV-USOR-V-30 | FKM | | 3" upper stem seal O-ring | - | 1 | | | |
| SSV-USOR-V-40 | FKM | 4" upper stem seal O-ring | - | 1 | Shut-Off | | | |
| Stem Seal Plug | SSV-SBSP-P-10 | 8C | PTFE | 1" single body stem seal plug | | 1 | - | |
| | SSV-SBSP-P-15 | | PTFE | 1-1/2" single body stem seal plug | | 1 | - | |
| | SSV-SBSP-P-20 | | PTFE | 2" single body stem seal plug | | 1 | - | |
| | SSV-SBSP-P-25 | | PTFE | 2-1/2" single body stem seal plug | | 1 | - | |
| | SSV-SBSP-P-30 | | PTFE | 3" single body stem seal plug | | 1 | - | |
| | SSV-SBSP-P-40 | PTFE | 4" single body stem seal plug | 1 | | - | Divert | |
| | SSV-DBSP-P-10 | 8D | PTFE | 1" double body stem seal plug | | - | | 1 |
| | SSV-DBSP-P-15 | | PTFE | 1-1/2" double body stem seal plug | | - | | 1 |
| | SSV-DBSP-P-20 | | PTFE | 2" double body stem seal plug | | - | | 1 |
| | SSV-DBSP-P-25 | | PTFE | 2-1/2" double body stem seal plug | - | 1 | | |
| SSV-DBSP-P-30 | PTFE | | 3" double body stem seal plug | - | 1 | | | |
| SSV-DBSP-P-40 | PTFE | 4" double body stem seal plug | - | 1 | Shut-Off / Divert | | | |
| Body Clamp | 13MHHM200SN | 9 | 304 SS | 1" body clamp | | 1 | 2 | |
| | 13MHHM250SN | | 304 SS | 1-1/2" body clamp | | 1 | 2 | |
| | 13MHHM300SN | | 304 SS | 2" body clamp | | 1 | 2 | |
| | 13MHHV300SN | | 304 SS | 2-1/2" body clamp | | 1 | 2 | |
| | 13MHHM400SN | | 304 SS | 3" body clamp | | 1 | 2 | |
| | 13MHHM500SN | | 304 SS | 4" body clamp | 1 | 2 | Shut-Off / Divert | |
| Lower Valve Body (L-Port) Tri-Clamp | SSV-LBLC10 | 10A | 316L SS | 1" lower valve body (L) configuration, tri-clamp | 1 | 1 | | |
| | SSV-LBLC15 | | 316L SS | 1-1/2" lower valve body (L) configuration, tri-clamp | 1 | 1 | | |
| | SSV-LBLC20 | | 316L SS | 2" lower valve body (L) configuration, tri-clamp | 1 | 1 | | |
| | SSV-LBLC25 | | 316L SS | 2-1/2" lower valve body (L) configuration, tri-clamp | 1 | 1 | | |
| | SSV-LBLC30 | | 316L SS | 3" lower valve body (L) configuration, tri-clamp | 1 | 1 | | |
| | SSV-LBLC40 | | 316L SS | 4" lower valve body (L) configuration, tri-clamp | 1 | 1 | Shut-Off / Divert | |
| Lower Valve Body (L-Port) Buttweld | SSV-LBLB10 | 10A | 316L SS | 1" lower valve body (L) configuration, buttweld | 1 | 1 | | |
| | SSV-LBLB15 | | 316L SS | 1-1/2" lower valve body (L) configuration, buttweld | 1 | 1 | | |
| | SSV-LBLB20 | | 316L SS | 2" lower valve body (L) configuration, buttweld | 1 | 1 | | |
| | SSV-LBLB25 | | 316L SS | 2-1/2" lower valve body (L) configuration, buttweld | 1 | 1 | | |
| | SSV-LBLB30 | | 316L SS | 3" lower valve body (L) configuration, buttweld | 1 | 1 | | |
| | SSV-LBLB40 | | 316L SS | 4" lower valve body (L) configuration, buttweld | 1 | 1 | Shut-Off / Divert | |
| Lower Valve Body (T-Port) Tri-Clamp | SSV-LBTC10 | 10A | 316L SS | 1" lower valve body (T) configuration, tri-clamp | 1 | 1 | | |
| | SSV-LBTC15 | | 316L SS | 1-1/2" lower valve body (T) configuration, tri-clamp | 1 | 1 | | |
| | SSV-LBTC20 | | 316L SS | 2" lower valve body (T) configuration, tri-clamp | 1 | 1 | | |
| | SSV-LBTC25 | | 316L SS | 2-1/2" lower valve body (T) configuration, tri-clamp | 1 | 1 | | |
| | SSV-LBTC30 | | 316L SS | 3" lower valve body (T) configuration, tri-clamp | 1 | 1 | | |
| | SSV-LBTC40 | | 316L SS | 4" lower valve body (T) configuration, tri-clamp | 1 | 1 | | |

Bill of Materials

SSV-Series Shut-Off and Divert Single Seats (Manual Handle)

| Part Type | Part # | Item No. | Material | Description | Qty. | | Valve Type |
|-------------------------------------|-----------------|----------|----------|--|----------|--------|-------------------|
| | | | | | Shut-Off | Divert | |
| Lower Valve Body (T-Port) Butt weld | SSV-LBTB10 | 10A | 316L SS | 1" lower valve body (T) configuration, butt weld | 1 | 1 | Shut-Off / Divert |
| | SSV-LBTB15 | | 316L SS | 1-1/2" lower valve body (T) configuration, butt weld | 1 | 1 | |
| | SSV-LBTB20 | | 316L SS | 2" lower valve body (T) configuration, butt weld | 1 | 1 | |
| | SSV-LBTB25 | | 316L SS | 2-1/2" lower valve body (T) configuration, butt weld | 1 | 1 | |
| | SSV-LBTB30 | | 316L SS | 3" lower valve body (T) configuration, butt weld | 1 | 1 | |
| | SSV-LBTB40 | | 316L SS | 4" lower valve body (T) configuration, butt weld | 1 | 1 | |
| Lower Valve Body (Y-Port) Tri-Clamp | SSV-LBYC10 | 10A | 316L SS | 1" lower valve body (Y) configuration, tri-clamp | 1 | - | Shut-Off |
| | SSV-LBYC15 | | 316L SS | 1-1/2" lower valve body (Y) configuration, tri-clamp | 1 | - | |
| | SSV-LBYC20 | | 316L SS | 2" lower valve body (Y) configuration, tri-clamp | 1 | - | |
| | SSV-LBYC25 | | 316L SS | 2-1/2" lower valve body (Y) configuration, tri-clamp | 1 | - | |
| | SSV-LBYC30 | | 316L SS | 3" lower valve body (Y) configuration, tri-clamp | 1 | - | |
| | SSV-LBYC40 | | 316L SS | 4" lower valve body (Y) configuration, tri-clamp | 1 | - | |
| Lower Valve Body (Y-Port) Butt weld | SSV-LBYB10 | 10A | 316L SS | 1" lower valve body (Y) configuration, butt weld | 1 | - | Shut-Off |
| | SSV-LBYB15 | | 316L SS | 1-1/2" lower valve body (Y) configuration, butt weld | 1 | - | |
| | SSV-LBYB20 | | 316L SS | 2" lower valve body (Y) configuration, butt weld | 1 | - | |
| | SSV-LBYB25 | | 316L SS | 2-1/2" lower valve body (Y) configuration, butt weld | 1 | - | |
| | SSV-LBYB30 | | 316L SS | 3" lower valve body (Y) configuration, butt weld | 1 | - | |
| | SSV-LBYB40 | | 316L SS | 4" lower valve body (Y) configuration, butt weld | 1 | - | |
| Upper Valve Body (L-Port) Tri-Clamp | SSV-UBLC10 | 10B | 316L SS | 1" upper valve body (L) configuration, tri-clamp | - | 1 | Divert |
| | SSV-UBLC15 | | 316L SS | 1-1/2" upper valve body (L) configuration, tri-clamp | - | 1 | |
| | SSV-UBLC20 | | 316L SS | 2" upper valve body (L) configuration, tri-clamp | - | 1 | |
| | SSV-UBLC25 | | 316L SS | 2-1/2" upper valve body (L) configuration, tri-clamp | - | 1 | |
| | SSV-UBLC30 | | 316L SS | 3" upper valve body (L) configuration, tri-clamp | - | 1 | |
| | SSV-UBLC40 | | 316L SS | 4" upper valve body (L) configuration, tri-clamp | - | 1 | |
| Upper Valve Body (L-Port) Butt weld | SSV-UBLB10 | 10B | 316L SS | 1" upper valve body (L) configuration, butt weld | - | 1 | Divert |
| | SSV-UBLB15 | | 316L SS | 1-1/2" upper valve body (L) configuration, butt weld | - | 1 | |
| | SSV-UBLB20 | | 316L SS | 2" upper valve body (L) configuration, butt weld | - | 1 | |
| | SSV-UBLB25 | | 316L SS | 2-1/2" upper valve body (L) configuration, butt weld | - | 1 | |
| | SSV-UBLB30 | | 316L SS | 3" upper valve body (L) configuration, butt weld | - | 1 | |
| | SSV-UBLB40 | | 316L SS | 4" upper valve body (L) configuration, butt weld | - | 1 | |
| Upper Valve Body (T-Port) Tri-Clamp | SSV-UBTC10 | 10B | 316L SS | 1" upper valve body (T) configuration, tri-clamp | - | 1 | Divert |
| | SSV-UBTC15 | | 316L SS | 1-1/2" upper valve body (T) configuration, tri-clamp | - | 1 | |
| | SSV-UBTC20 | | 316L SS | 2" upper valve body (T) configuration, tri-clamp | - | 1 | |
| | SSV-UBTC25 | | 316L SS | 2-1/2" upper valve body (T) configuration, tri-clamp | - | 1 | |
| | SSV-UBTC30 | | 316L SS | 3" upper valve body (T) configuration, tri-clamp | - | 1 | |
| | SSV-UBTC40 | | 316L SS | 4" upper valve body (T) configuration, tri-clamp | - | 1 | |
| Upper Valve Body (T-Port) Butt weld | SSV-UBTB10 | 10B | 316L SS | 1" upper valve body (T) configuration, butt weld | - | 1 | Divert |
| | SSV-UBTB15 | | 316L SS | 1-1/2" upper valve body (T) configuration, butt weld | - | 1 | |
| | SSV-UBTB20 | | 316L SS | 2" upper valve body (T) configuration, butt weld | - | 1 | |
| | SSV-UBTB25 | | 316L SS | 2-1/2" upper valve body (T) configuration, butt weld | - | 1 | |
| | SSV-UBTB30 | | 316L SS | 3" upper valve body (T) configuration, butt weld | - | 1 | |
| | SSV-UBTB40 | | 316L SS | 4" upper valve body (T) configuration, butt weld | - | 1 | |
| Stem Seal Plug O-Ring | SSV-SPOR-E-1015 | 11 | EPDM | 1" to 1-1/2" stem seal plug O-ring | 1 | 1 | Shut-Off / Divert |
| | SSV-SPOR-E-2040 | | EPDM | 2" to 4" stem seal plug O-ring | 1 | 1 | |
| | SSV-SPOR-V-1015 | | FKM | 1" to 1-1/2" stem seal plug O-ring | 1 | 1 | Shut-Off / Divert |
| | SSV-SPOR-V-2040 | | FKM | 2" to 4" stem seal plug O-ring | 1 | 1 | |

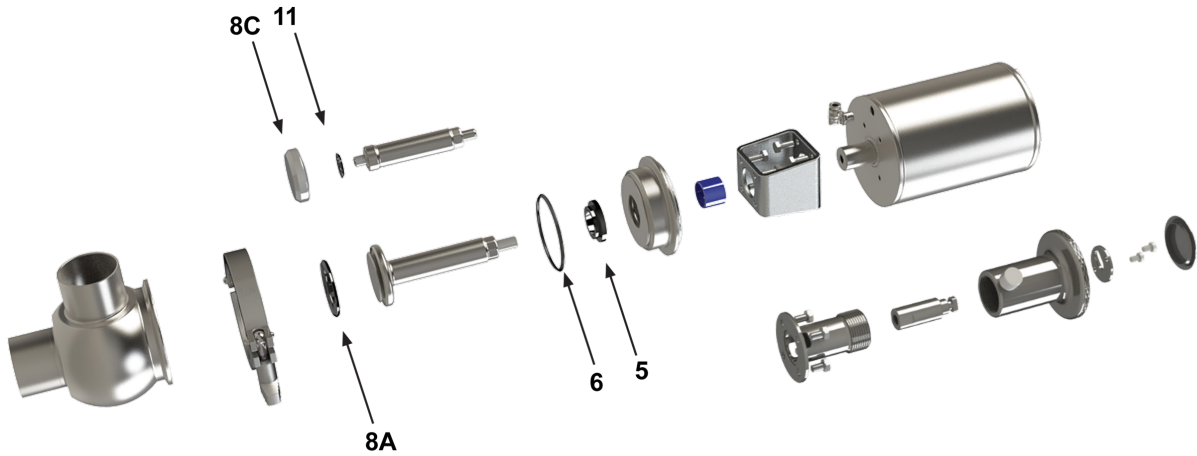
Overall Dimensions



| Valve Size | A | A1 | Stroke | B | C (Clamp) | C (Weld) | C2 (Clamp) | C2 (Weld) | D | E (Clamp) | E (Weld) | F | G |
|------------|--------|-------|--------|-------|-----------|----------|------------|-----------|-------|-----------|----------|-------|-------|
| 1" | 7.58" | 5.80" | 0.41" | 2.23" | 2.50" | 2.00" | 3.20" | 2.00" | 2.78" | 4.78" | 3.78" | 6.00" | 8.47" |
| 1-1/2" | 8.80" | 6.10" | 0.77" | 3.15" | 2.75" | 2.25" | --- | --- | 4.11" | 6.60" | 5.60" | 6.00" | 8.47" |
| 2" | 9.05" | 6.28" | 0.77" | 3.64" | 3.50" | 3.00" | --- | --- | 4.11" | 7.64" | 6.64" | 6.00" | 8.47" |
| 2-1/2" | 11.36" | 6.52" | 1.04" | 4.72" | 3.50" | 3.00" | --- | --- | 6.08" | 9.33" | 8.33" | 6.00" | 8.47" |
| 3" | 11.61" | 6.78" | 1.04" | 5.04" | 3.75" | 3.25" | --- | --- | 6.08" | 10.63" | 9.63" | 6.00" | 8.47" |
| 4" | 12.10" | 7.25" | 1.04" | 5.94" | 4.50" | 3.87" | --- | --- | 6.08" | 13.18" | 11.93" | 6.00" | 8.47" |

Repair Kits

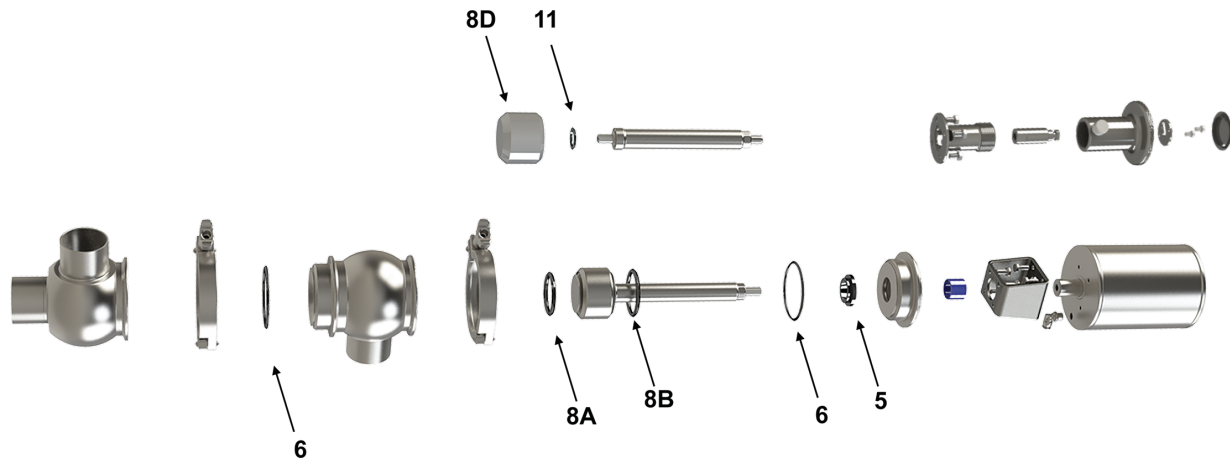
SSV-Series Shut-Off Single Seat



| Valve Size | Valve Type | Stem Seat Material | Body Seal Material | Kit Part Number | Kit Includes |
|------------|------------|--------------------|--------------------|-----------------|--------------------|
| 1" | Shut-Off | FKM | FKM | SSV-RKS-10-V | Items 5, 6, 8A |
| 1-1/2" | Shut-Off | FKM | FKM | SSV-RKS-15-V | Items 5, 6, 8A |
| 2" | Shut-Off | FKM | FKM | SSV-RKS-20-V | Items 5, 6, 8A |
| 2-1/2" | Shut-Off | FKM | FKM | SSV-RKS-25-V | Items 5, 6, 8A |
| 3" | Shut-Off | FKM | FKM | SSV-RKS-30-V | Items 5, 6, 8A |
| 4" | Shut-Off | FKM | FKM | SSV-RKS-40-V | Items 5, 6, 8A |
| 1" | Shut-Off | EPDM | EDPM | SSV-RKS-10-E | Items 5, 6, 8A |
| 1-1/2" | Shut-Off | EPDM | EDPM | SSV-RKS-15-E | Items 5, 6, 8A |
| 2" | Shut-Off | EPDM | EDPM | SSV-RKS-20-E | Items 5, 6, 8A |
| 2-1/2" | Shut-Off | EPDM | EDPM | SSV-RKS-25-E | Items 5, 6, 8A |
| 3" | Shut-Off | EPDM | EDPM | SSV-RKS-30-E | Items 5, 6, 8A |
| 4" | Shut-Off | EPDM | EDPM | SSV-RKS-40-E | Items 5, 6, 8A |
| 1" | Shut-Off | PTFE | FKM | SSV-RKS-10-PV | Items 5, 6, 8C, 11 |
| 1-1/2" | Shut-Off | PTFE | FKM | SSV-RKS-15-PV | Items 5, 6, 8C, 11 |
| 2" | Shut-Off | PTFE | FKM | SSV-RKS-20-PV | Items 5, 6, 8C, 11 |
| 2-1/2" | Shut-Off | PTFE | FKM | SSV-RKS-25-PV | Items 5, 6, 8C, 11 |
| 3" | Shut-Off | PTFE | FKM | SSV-RKS-30-PV | Items 5, 6, 8C, 11 |
| 4" | Shut-Off | PTFE | FKM | SSV-RKS-40-PV | Items 5, 6, 8C, 11 |
| 1" | Shut-Off | PTFE | EPDM | SSV-RKS-10-PE | Items 5, 6, 8C, 11 |
| 1-1/2" | Shut-Off | PTFE | EPDM | SSV-RKS-15-PE | Items 5, 6, 8C, 11 |
| 2" | Shut-Off | PTFE | EPDM | SSV-RKS-20-PE | Items 5, 6, 8C, 11 |
| 2-1/2" | Shut-Off | PTFE | EPDM | SSV-RKS-25-PE | Items 5, 6, 8C, 11 |
| 3" | Shut-Off | PTFE | EPDM | SSV-RKS-30-PE | Items 5, 6, 8C, 11 |
| 4" | Shut-Off | PTFE | EPDM | SSV-RKS-40-PE | Items 5, 6, 8C, 11 |

Repair Kits

SSV-Series Divert Single Seat



| Valve Size | Valve Type | Stem Seat Material | Body Seal Material | Kit Part Number | Kit Includes |
|------------|------------|--------------------|--------------------|-----------------|--------------------|
| 1" | Divert | FKM | FKM | SSV-RKD-10-V | Items 5, 6, 8A, 8B |
| 1-1/2" | Divert | FKM | FKM | SSV-RKD-15-V | Items 5, 6, 8A, 8B |
| 2" | Divert | FKM | FKM | SSV-RKD-20-V | Items 5, 6, 8A, 8B |
| 2-1/2" | Divert | FKM | FKM | SSV-RKD-25-V | Items 5, 6, 8A, 8B |
| 3" | Divert | FKM | FKM | SSV-RKD-30-V | Items 5, 6, 8A, 8B |
| 4" | Divert | FKM | FKM | SSV-RKD-40-V | Items 5, 6, 8A, 8B |
| 1" | Divert | EPDM | EDPM | SSV-RKD-10-E | Items 5, 6, 8A, 8B |
| 1-1/2" | Divert | EPDM | EDPM | SSV-RKD-15-E | Items 5, 6, 8A, 8B |
| 2" | Divert | EPDM | EDPM | SSV-RKD-20-E | Items 5, 6, 8A, 8B |
| 2-1/2" | Divert | EPDM | EDPM | SSV-RKD-25-E | Items 5, 6, 8A, 8B |
| 3" | Divert | EPDM | EDPM | SSV-RKD-30-E | Items 5, 6, 8A, 8B |
| 4" | Divert | EPDM | EDPM | SSV-RKD-40-E | Items 5, 6, 8A, 8B |
| 1" | Divert | PTFE | FKM | SSV-RKD-10-PV | Items 5, 6, 8D, 11 |
| 1-1/2" | Divert | PTFE | FKM | SSV-RKD-15-PV | Items 5, 6, 8D, 11 |
| 2" | Divert | PTFE | FKM | SSV-RKD-20-PV | Items 5, 6, 8D, 11 |
| 2-1/2" | Divert | PTFE | FKM | SSV-RKD-25-PV | Items 5, 6, 8D, 11 |
| 3" | Divert | PTFE | FKM | SSV-RKD-30-PV | Items 5, 6, 8D, 11 |
| 4" | Divert | PTFE | FKM | SSV-RKD-40-PV | Items 5, 6, 8D, 11 |
| 1" | Divert | PTFE | EPDM | SSV-RKD-10-PE | Items 5, 6, 8D, 11 |
| 1-1/2" | Divert | PTFE | EPDM | SSV-RKD-15-PE | Items 5, 6, 8D, 11 |
| 2" | Divert | PTFE | EPDM | SSV-RKD-20-PE | Items 5, 6, 8D, 11 |
| 2-1/2" | Divert | PTFE | EPDM | SSV-RKD-25-PE | Items 5, 6, 8D, 11 |
| 3" | Divert | PTFE | EPDM | SSV-RKD-30-PE | Items 5, 6, 8D, 11 |
| 4" | Divert | PTFE | EPDM | SSV-RKD-40-PE | Items 5, 6, 8D, 11 |

Limited Warranty

DIXON VALVE & COUPLING COMPANY, LLC (herein called "Dixon") warrants the products described herein and manufactured by Dixon to be free from defects in material and workmanship for a period of one (1) year from date of shipment by Dixon under normal use and service. Its sole obligation under this warranty being limited to repairing or replacing, as hereinafter provided, at its option any product found to Dixon's satisfaction to be defective upon examination by it, provided that such product shall be returned for inspection to Dixon's factory within three (3) months after discovery of the defect. The repair or replacement of defective products will be made without charge for parts or labor. This warranty shall not apply to: (a) parts or products not manufactured by Dixon, the warranty of such items being limited to the actual warranty extended to Dixon by its supplier; (b) any product that has been subject to abuse, negligence, accident, or misapplication; (c) any product altered or repaired by others than Dixon; and (d) normal maintenance services and the replacement of service items (such as washers, gaskets, and lubricants) made in connection with such services. To the extent permitted by law, this limited warranty shall extend only to the buyer and any other person reasonably expected to use or consume the goods who is injured in person by any breach of the warranty. No action may be brought against Dixon for an alleged breach of warranty unless such action is instituted within one (1) year from the date the cause of action accrues. This limited warranty shall be construed and enforced to the fullest extent allowable by applicable law.

Other than the obligation of Dixon set forth herein, Dixon disclaims all warranties, express or implied, including but not limited to any implied warranties of merchantability or fitness for a particular purpose, and any other obligation or liability. The foregoing constitutes Dixon's sole obligation with respect to damages, whether direct, incidental, or consequential, resulting from the use or performance of the product.

Some products and sizes may be discontinued when stock is depleted or may require a minimum quantity for ordering.

Limits of Liability

This brochure is intended as a product offering. It is not intended to be a user or technical manual. Information in this brochure is subject to change without notice. All users and distributors of products sold through this brochure should contact Dixon with questions of use, compatibilities, coupling procedures, and life of product. Our full-time engineering and test staff are always available to recommend uses and to assist distributors and users with any questions.



Safety



Safety logos, which appear throughout our catalog, are used as a reminder that the user should carefully review for the appropriateness of the product for the media, application, and environment in which it will be used.

NOTE: Because of the health hazards associated with contamination and lead content in drinking water systems, Dixon couplings, unless otherwise specifically approved, are not recommended for potable water service and should not be used in applications where drinking water will contact the wetted surfaces of the coupling.

All Dixon products are shipped in cartons with the following warning:

"WARNING: This product contains lead, a chemical known to the State of California to cause cancer and birth defects or other reproductive harm."

Trademark

Delrin® and Zytel® are registered trademarks of E.I. duPont Nemours and Company.

Kalrez® is a registered trademark of DuPont Dow Elastomers.

All other trademarks appearing in the Dixon illustrated product list are the property of their respective owners.

Copyright

Copyright © 2023 by Dixon Valve & Coupling Company, LLC

All rights reserved. This book is copyrighted material. Use, reproduction or copying of it by anyone other than Dixon® is strictly forbidden without its express written consent.

NOTE: Reasonable care has been taken in preparing this catalog. Dixon Valve & Coupling Company, LLC reserves the right to make corrections.

