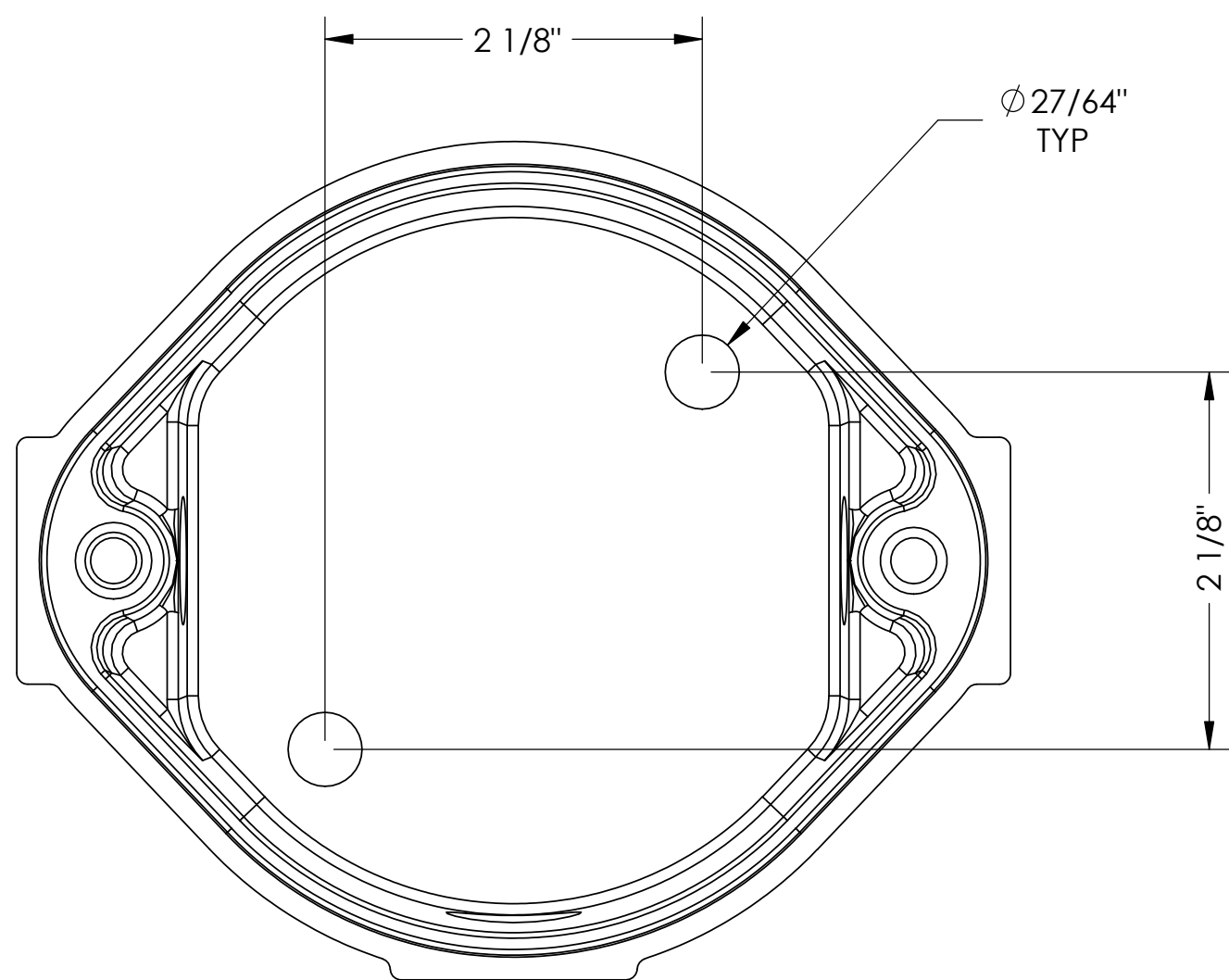
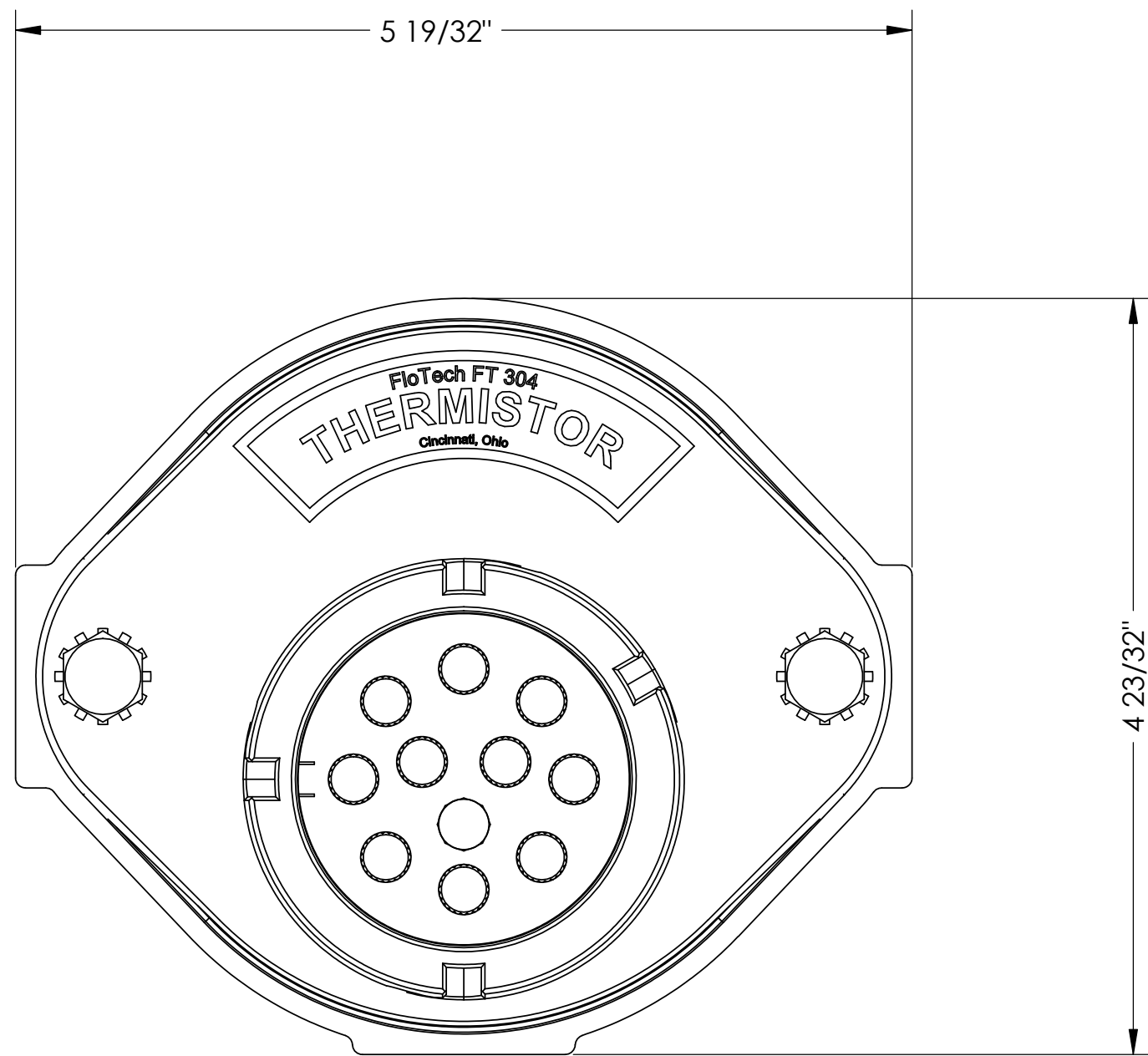
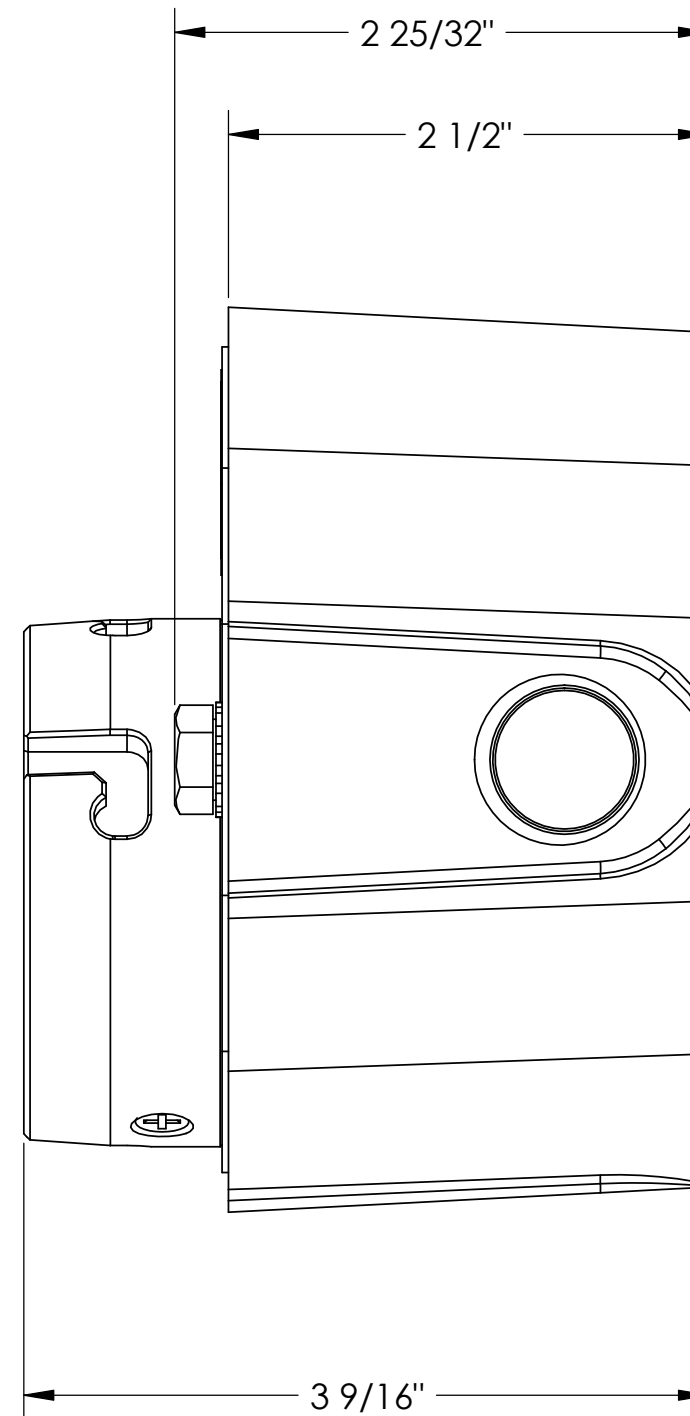


REVISIONS			
REV	DESCRIPTION	DATE	APPROVED



**VIEW WITH FACE PLATE REMOVED**



<b>Dixon Bayco USA</b> Cincinnati, Ohio, U.S.A A DVCC Inc. Company		TITLE <b>FT304, FT304SS, FT603 CUSTOMER DRAWING</b>	
THIS DRAWING IS CONFIDENTIAL PROPERTY OF DIXON BAYCO USA, A DIVISION OF DVCC AND IS SUBJECT TO RETURN ON DEMAND. © COPYRIGHT 2000 DO NOT COPY.		SIZE <b>C</b>	DRAWN BY <b>FAHL</b>
DIM. TOLERANCES UNLESS SPECIFIED INCHES .X +/- .050 MACHINE FRACTION +/- 1/64 .XX +/- .010 ROUGH CASTING +/- 1/32 .XXX +/- .005 SURF. FINISH 125 AA MAX ANGLES 1/2°		DWG NO. <b>FT304SS-CST</b>	REV <b>-</b>
SCALE <b>NONE</b>		DATE <b>09DEC2003</b>	SHEET <b>1</b> OF <b>1</b>