

**Butterfly Valves****Clamp****Materials:**

- contact product surfaces: sanitary finish 316L stainless steel
- seat: silicone, EPDM, FKM

**Features:**

- all sizes use only ¾" of line space
- the grooved clamp housing connects directly to the corresponding sanitary clamp size
- PTFE valve disc bushings reduce friction and increase cycle life
- 3-position reversible handle
- 100% tested / 100% inspected
- can be serviced in field (no special tools required)
- can be modified for lockout / tagout
- various automated options available

**Specifications:**

- vacuum rating: 0.4 inches Hg @ 68°F (20°C)
- operating temperature range: 15°F to 200°F (-9°C to 93°C)

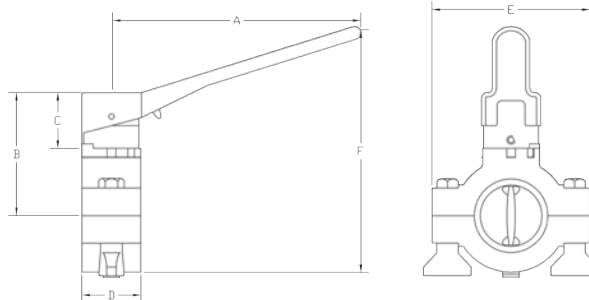
Information supplied based on water media @ 68°F (20°C)

Size	Break Torque (in-lbs.)	Assembly Torque (in-lbs.)	Pressure Rating (PSI)	Flow Coefficient (C <sub>v</sub> )	Weight w/standard handle (lbs.)
1"	125	36	<b>140</b>	23	1.5
1½"	185	36	<b>140</b>	80	2
2"	200	21.6	<b>120</b>	230	2.5
2½"	260	21.6	<b>120</b>	264	3
3"	350	28.8	<b>100</b>	372	4
4"	495	43.2	<b>70</b>	800	6

Size	316L Stainless Steel with Silicone Seats Part #	316L Stainless Steel with FKM Seats Part #	316L Stainless Steel with EPDM Seats Part #
1"	<b>B5102S100-A</b>	<b>B5102V100-A</b>	<b>B5102E100-A</b>
1½"	<b>B5102S150-A</b>	<b>B5102V150-A</b>	<b>B5102E150-A</b>
2"	<b>B5102S200-A</b>	<b>B5102V200-A</b>	<b>B5102E200-A</b>
2½"	<b>B5102S250-A</b>	<b>B5102V250-A</b>	<b>B5102E250-A</b>
3"	<b>B5102S300-A</b>	<b>B5102V300-A</b>	<b>B5102E300-A</b>
4"	<b>B5102S400-A</b>	<b>B5102V400-A</b>	<b>B5102E400-A</b>



Size	Dimensions						PSI @ 68°F (20°C)
	A	B	C	D	E	F	
1"	5.6"	2.8"	1.3"	1.3"	3.6"	5.6"	<b>140</b>
1½"	5.6"	2.8"	1.3"	1.3"	3.6"	5.6"	<b>140</b>
2"	5.6"	3.0"	1.3"	1.3"	4.1"	6.1"	<b>120</b>
2½"	5.6"	3.3"	1.3"	1.3"	4.6"	6.6"	<b>120</b>
3"	5.6"	3.6"	1.3"	1.3"	5.3"	7.1"	<b>100</b>
4"	5.6"	4.1"	1.3"	1.3"	6.4"	8.2"	<b>70</b>

**Repair Kits for Clamp Butterfly Valves**

Repair kit contains:

- (1) seat
- (2) bushings

Valve Size	Black EPDM Part #	Red Silicone Part #	Brown FKM Part #
1"	<b>B5102-RKE100</b>	<b>B5102-RKS100</b>	<b>B5102-RKV100</b>
1½"	<b>B5102-RKE150</b>	<b>B5102-RKS150</b>	<b>B5102-RKV150</b>
2"	<b>B5102-RKE200</b>	<b>B5102-RKS200</b>	<b>B5102-RKV200</b>
2½"	<b>B5102-RKE250</b>	<b>B5102-RKS250</b>	<b>B5102-RKV250</b>
3"	<b>B5102-RKE300</b>	<b>B5102-RKS300</b>	<b>B5102-RKV300</b>
4"	<b>B5102-RKE400</b>	<b>B5102-RKS400</b>	<b>B5102-RKV400</b>



B5102-RKS100